

▶ KDK911422
KDK911412
KDK912922
KDK912912
KDE911422
KDE911412
KDE912922
KDE912912

EN	User Manual Warming Drawer	02
DE	Gebrauchsanweisung Wärmeschublade	15
FR	Mode d'emploi Chauffe Vaisselle	28
NL	Gebruiksaanwijzing Servieswarmer	42
ES	Manual de Instrucciones Cajón calentaplatos	54
PT	Manual de Instruções Gaveta de Aquecimento	66

USER MANUAL



CONTENTS

1. SAFETY INFORMATION	3
2. APPLIANCE DESCRIPTION	7
3. USE	8
4. LOAD CAPACITY	11
5. CLEANING AND MAINTENANCE	11
6. WHAT SHOULD I DO IF THE CROCKERY WARMER DOESN'T WORK?	12
7. ENVIRONMENTAL CONCERNS	12
8. INSTALLATION INSTRUCTIONS	13
9. INSTALLATION	79

WE'RE THINKING OF YOU

Thank you for purchasing an AEG appliance. You've chosen a product that brings with it decades of professional experience and innovation. Ingenious and stylish, it has been designed with you in mind. So whenever you use it, you can be safe in the knowledge that you'll get great results every time. Welcome to AEG.

Visit our website to:



Get usage advice, brochures, trouble shooter, service information:
www.aeg.com



Register your product for better service:
www.aeg.com/productregistration




Buy Accessories, Consumables and Original spare parts for your appliance:
www.aeg.com/shop

CUSTOMER CARE AND SERVICE

We recommend the use of original spare parts.

When contacting Service, ensure that you have the following data available.

The information can be found on the rating plate. Model, PNC, Serial Number.

 Warning / Caution-Safety information.

 General information and tips.

 Environmental information.

Subject to change without notice.

1. ⚠ SAFETY INFORMATION

Carefully read the instructions before installing and using the equipment. The manufacturer is not liable for improper installation and use of the equipment that may cause injuries and damage. Always keep the instructions at hand, so they can be easily referred to during use. This appliance complies with current safety standards. Improper use of the appliance may put the user at risk.

1.1. Safety of children and vulnerable adults

⚠ WARNING!

Risk of choking, injury or permanent disability.

- This appliance can be used by children aged 8 years and above and persons with reduced physical, sensory or mental capabilities or lack of experience and knowledge if they are given supervision or instructions concerning how to use the appliance in a safe way and understand the hazards involved.
- Children should not play with the appliance.
- Keep packaging materials away from children.
- Keep children and pets away from the appliance during operation or when cooling.
- Cleaning and maintenance should not be done by children without supervision.
- **WARNING:** Accessible parts may become hot during use. Young children should be kept away.

1.2. Warnings on general safety

- **WARNING:** The appliance and its accessible parts become hot during use. Care should be taken to avoid touching heating elements. Children less than 8 years of age shall be kept away unless continuously supervised.
- During use the appliance becomes hot. Care should be taken to avoid touching heating elements inside the oven.
- Depending on the temperature selected and the operating time, the temperature inside the appliance **may reach 80 °C. To take crockery out of the crockery**

warmer protect your hands by using oven gloves or an oven cloth.

- Do not sit or hang on the drawer. The telescopic runners will be damaged. The maximum load capacity of the drawer is 25 kg.
- Do not store synthetic containers or easily inflammable objects inside the crockery warmer. When you switch on the appliance such containers and objects may melt or catch fire. Fire danger.
- Do not use the appliance to heat up the air temperature in the kitchen. The high temperatures reached may cause easily inflammable objects close to the appliance to catch fire.
- When you stop using the appliance at the end of its working life, disconnect it from the power supply and render the electrical cable unusable so that the appliance is not a danger if, for example, children use it for playing.

1.3. Installation

- During installation, follow the instructions supplied separately.
- Only qualified personnel can install the appliance and replace the cable.
- The electric system must be equipped with a means for disconnection, with a contact separation in all poles that provides full disconnection under overvoltage category III.
- If a plug is used for the electric connection, then it must be accessible after installation.
- The connection should include correct earthing, in compliance with current norms.
- **WARNING!** Before connecting the appliance compare the power data (voltage and frequency) indicated on the characteristics plate with those of the power supply in question. If these data do not match there may be problems. In case of doubt, contact an electrician.
- **WARNING!** If the electrical wire plug is removed, the appliance must be installed and connected by a technician. Contact a qualified electrician who knows and respects current safety standards. The

manufacturer cannot be held responsible for damage resulting from fitting or connecting errors.

- **WARNING!** The electrical safety of the appliance can only be guaranteed if it is earthed. The manufacturer cannot be held responsible for damage resulting from **the absence of or defects in the installation's protection system** (e.g. electrical shock).
- **WARNING!** Only use the appliance once it has been fitted into its built-in position. Only in this manner can it be guaranteed that users cannot access the electrical components.
- **WARNING! Never open up the appliance's frame.** Possible contacts with electrical conducting parts or changes to electrical or mechanical components may **represent a danger to users' safety and prejudice the correct working of the appliance.**

1.4. Cleaning

- Do not use harsh abrasive cleaners or sharp metal scrapers to clean the oven door glass since they can scratch the surface, which may result in shattering of the glass.
- Do not use steam cleaners to clean the appliance.
- Do not use high pressure or steam jet cleaning devices. The steam may affect electrical components and cause a short circuit. The steam pressure may also cause **damage to the appliance's surface and components in the long term.**

1.5. Repairs

- Disconnect the appliance from the power supply before carrying out any maintenance operation.
- **WARNING!** The appliance must be disconnected from the electrical current when installation and repair work is being done. To disconnect the appliance from the current, one of the following conditions must apply:
 - The switchboard fuses / circuit breakers must be disconnected.
 - The plug should be removed from the socket. To remove the plug from the socket do not pull on the electric cable but rather pull out the plug itself directly.

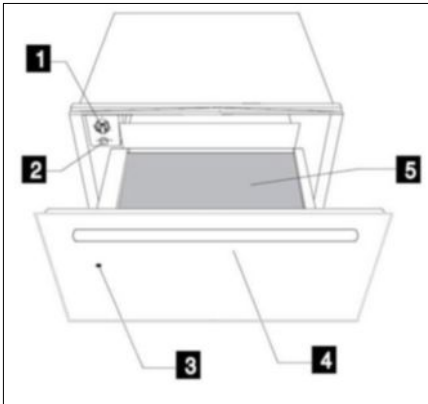
- **WARNING!** Repairs and maintenance, especially of parts carrying electrical current, must only be done by technicians authorised by the manufacturer. The manufacturer and retailers do not accept responsibility for any damaged caused to people, animals or property as a result of repairs and maintenance carried out by non-authorised personnel.
- **WARNING!** Repairs undertaken during the guarantee period must only be done by technicians authorised by the manufacturer. If this is not the case then any damage resulting from the repair in question is excluded from the guarantee.

2. APPLIANCE DESCRIPTION

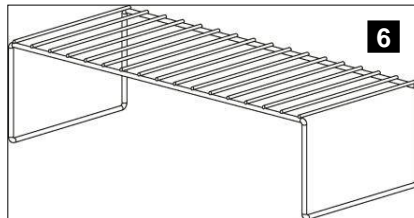
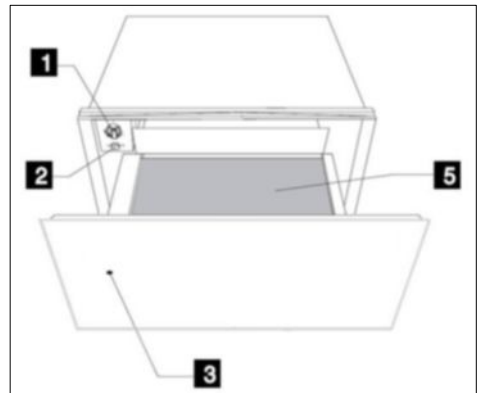
2.1. Main Components

- | | |
|----------------------------|------------------------|
| 1 Function selector | 4 Handle |
| 2 On/Off switch | 5 Anti-Slip mat |
| 3 Control Lamp | 6 Drawer Grid * |

KD91403 / KD92903 / KD92923



KD91404



*Drawer Grid only available with the model KD92903E/KD92923E

2.2. How the crockery warmer works

This appliance is equipped with a warm air circulation system. A fan distributes the heat generated by an electrical heating element throughout the interior of the appliance.

The thermostat allows the user to define and control the temperature wanted for the crockery.

The circulating hot air that is generated heats up the crockery quickly and evenly. A metal grille protects both the heating element and the fan.

The base of the drawer is fitted with a non-slip mat to prevent plates and dishes sliding around when the drawer is opened and closed.

3. USE

3.1. Before using for the first time

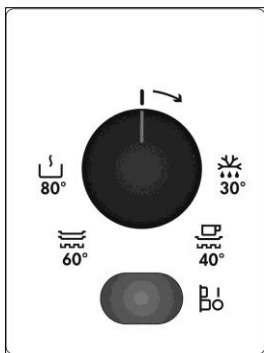
Before using the appliance for the first time you should clean the interior and the exterior, following the cleaning instructions given in the section **"Cleaning and Maintenance"**.

Then heat the crockery warmer for at least 2 hours. For this, turn the temperature control to the maximum position (see section **"Selecting temperature"**).

Make sure the kitchen is well-ventilated when you are doing this.

The **appliance's** parts are protected by a special product. For this reason, during the first heating an odour will be released. Both the odour and any smoke that may form will disappear after a short time and neither signifies that there is anything wrong with the connection or the appliance.

3.2. Control Panel



The control panel has a function and the on/off switch. The control panel is only visible when the drawer is open.

3.3. Using the crockery warmer

To use the crockery warmer, proceed as follows:

- Put the crockery in the drawer.
- Select the function you want by turning the thermostat control to the desired position.
- Switch on the appliance by pressing the switch, which will light up.
- Close the drawer.

Be careful not to use too much force when closing the drawer since it may open up again. Before taking out the warm crockery you must switch off the crockery warmer by pressing the switch again.





3.4. Selecting function

By turning the thermostat control you can select temperatures between 30 and 80 °C.

Do not force the thermostat control to the left of the "0" position or to the right of the maximum position since this may damage the appliance.

As soon as the selected temperature is reached, the heating is turned off. When the temperature drops to a value below than the one selected, the heating is turned back on.

The temperature scale is marked with **absolute temperatures in °C** and also has symbols which correspond to the optimum temperatures for groups of crockery:

Symbol	°C	Function
	30°C	Defrosting
	40°C	Proving dough Cups / glasses warming
	60°C	Crockery warming Keep food warm
	80°C	Food Warming Low temperature cooking (only available with the model KD92903E)

3.5. Heating times

Various factors affect heating times:

- Material and thickness of the crockery;
- Load quantity;
- How the crockery is arranged;
- Temperature setting.

It is therefore not possible to give any precise heating times.

As you use the crockery warmer more and more you will learn the best settings for your crockery.

3.6. Suggestions for the function Keep Food Warm and Food Warming:


Preheat the Warming Drawer 15 minutes to ensure the interior space has the required temperature.

3.7. Low temperature cooking (only available with the model KD92903E)

With the low temperature cooking meat can be gently prepared at low

temperatures over a longer period of cooking time. The cooking time is

However, as a guide, the following times are given for the thermostat

setting  and for uniform heating of the crockery:

Load	Time (min)
Crockery for 6 people	30 – 35
Crockery for 12 people	40 – 45

temperatures over a longer period of cooking time. The cooking time is **dependent on the piece of meat's size**. Use dishes made of glass, china or ceramics.

3.8. Preparation:

- Preheat the device with the dishes at **80°C for 10 minutes**.
- Sear the meat in a pan using fat and place it into the heat drawer on the preheated dishes. Keep the setting at **80° C**.

Table: Low Temperature Cooking (Reference Values)

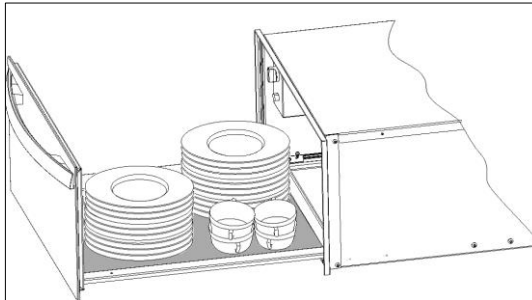
Application	Quantity	Roast gently on the cooking plate	Cooking times
Beef			
Completely rare	1kg	on all sides, on each 2min.	1hr
Rare	1kg	on all sides, on each 3min	1.25hrs
Medium	1kg	on all sides, on each 3min	1.75 hrs
Well-done	1kg	on all sides, on each 3min	2.25hrs – 2.5hrs.
Roast beef in one piece	1kg	on all sides, on each 3min	3 hrs rare 4.5 hrs medium
Veal			
Filet, whole	1kg	on all sides, on each 2min.	1.75 – 2hrs.
Loin, in one piece	1kg	on all 4 sides, on each 3min.	2 – 2.5hrs.
Roast, vat	1kg	on all sides, on each 3min.	2 – 2.5hrs.
Roast, shoulder	1kg	on all sides, on each 3min.	2.5hrs.
Porc			
Filet, whole	500-600 g	on all sides, on each 2min.	1.5hrs
Loin	600 -1000g	all around 10-15min.	2 - 3hrs
Lamb			
Gigot with haunch	2kg	on all sides, on each 4min.	3 – 4hrs
Gigot steak of the haunch	2kg	on all sides, on each 2min	0.75-1hr
Filet	400g	on all sides, on each 2min	1 – 1.25hrs.

1) If you wish to keep the cooked meat warm, put the setting back to 60° C. We recommend not to use the warming function for more than 1hr.

4. LOAD CAPACITY

Load capacity depends on the size of the crockery items:

KD 91403 / KD 91404	KD 92903 / KD 92923
6 persons servings	12 persons servings
6 x 24cm Dinner Plates	12 x 24cm Dinner Plates
6 x 10cm Soup Bowls	12 x 10cm Soup Bowls
1 x 19cm Serving Dish	1 x 19cm Serving Dish
1 x 17cm Serving Dish	1 x 17cm Serving Dish
1 x 32cm Meat Plates	2 x 32cm Meat Plates
or	or
20 dishes with Ø 28 cm	40 dishes with Ø 28 cm
or	or
80 espresso coffee cups	160 espresso coffee cups
or	or
40 tea cups	80 tea cups
or	or
...	...



5. CLEANING AND MAINTENANCE

Cleaning is the only maintenance action that is required normally.

Warning! Cleaning must be done with the crockery warmer disconnected from the electrical power supply. Remove the plug from the power socket or disconnect the crockery warmer power supply circuit. Do not use aggressive or abrasive cleaning products, abrasive sponges or pointed objects since stains or abrasion marks may appear.

Do not use high pressure or steam jet cleaning appliances.

5.1. Appliance front and control panel

The crockery warmer can be cleaned using just a damp cloth. If it is very dirty, add a few drops of washing-up liquid to the washing water.

Wipe the surfaces dry using a dry cloth.

For stainless steel fronted crockery warmers, special products for treatment of

stainless steel surfaces can be used. These products prevent the surfaces becoming dirty again for some time. Apply a thin layer of such a product on the surface using a soft cloth.

On aluminium fronted crockery warmers use a gentle glass cleaning product and a soft cloth that does not release fluff. Wipe horizontally without pressing on the surface since aluminium is sensitive to scratches and cuts.

5.2. Interior of the crockery warmer

Clean the inside of the crockery warmer regularly using a damp cloth.

If it is very dirty add a few drops of washing-up liquid to the washing water. Wipe the surfaces dry using a dry cloth. Avoid water entering through the air circulation opening.

Only use the crockery warmer again when it is completely dry.


5.3. Mat with non-slip surface

The non-slip surface mat can be removed to facilitate cleaning of the drawer.

The mat can be cleaned by hand using hot water with a few drops of washing-up liquid. Dry thoroughly.

The non-slip mat should only be replaced when it is completely dry.

6. WHAT SHOULD I DO IF THE CROCKERY WARMER DOESN'T WORK?

 **WARNING!** Any type of repair must only be done by a specialised technician. Any repair done by a person not authorised by the manufacturer is dangerous.

Before contacting Technical Assistance, check on the following:

- **The crockery doesn't heat up enough.**

Check whether:

- The appliance has been switched on.
- The appropriate temperature has been selected.
- The air circulation orifices are covered by the crockery.
- The crockery was left to heat up for sufficient time.

- **Heating time depends on several factors, such as, for example:**

- Crockery material type and thickness.
- Quantity of crockery.
- How the crockery is arranged.

- **The crockery doesn't heat up at all.**

Check whether:

- You can hear the noise of a fan. If the fan is operating then the heating element is broken; if the fan is not operating then the fan is broken.
- The switchboard fuses / circuit breakers have fused / tripped out.

- **The crockery is heating up too much:**


- The temperature selector is broken.

- **The on/off switch does not light up:**


- **The switch's pilot light has blown.**

7. ENVIRONMENTAL CONCERNS

Recycle the materials with the

Symbol . Put the packaging in applicable containers to recycle it. Help protect the environment and human health and to recycle waste of electrical and electronic appliances.

Do not dispose appliances marked

with the symbol  with the household waste. Return the product to your local recycling facility or contact your municipal office.

8. INSTALLATION INSTRUCTIONS

8.1. Before installation

Check that the input voltage indicated on the characteristics plate is the same as the voltage of the power outlet you are going to use.

Open the drawer and take out all the accessories and remove the packing material.

⚠ Attention! The front surface of the crockery heater may be wrapped in a protective film. Before using the crockery warmer for the first time, remove this film carefully.

Make sure that the crockery warmer is not damaged in any way. Check that the drawer opens and closes correctly. If you find any damage, contact the Technical Assistance Service.

⚠ Attention: the power socket should be easily accessible after the crockery warmer has been installed.

The crockery warmer should only be built-in in combination with those appliances indicated by the manufacturer. If it is fitted in combination with other appliances, the guarantee is no longer valid since it is impossible to guarantee that the crockery warmer will work correctly.

8.2. Installation

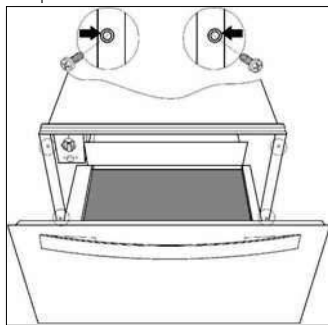
To build-in the crockery warmer in combination with another appliance there must be a fixed, interim shelf in the housing unit to support the weight of both appliances.

The appliance to be combined with the crockery warmer will be placed directly on the latter without any need to have a separating shelf.

To build-in the appliance which is combined with the crockery warmer, follow the instructions set out in the respective instructions and fitting booklet. The relevant installation dimensions are indicated in mm **in the diagrams shown at the end of this booklet**. Proceed as follows:

1. Place the crockery warmer on the shelf and slide it towards the interior of the niche in such a way that it is centred and completely lined up with the front of the unit.

2. Check that the crockery warmer's frame is properly levelled and is sitting evenly on the shelf.
3. Open the drawer and fix the crockery warmer to the sides of the unit using the provided screws.



8.3. Electrical Connection

Electrical installation must be performed by an electrician qualified in accordance with the legislation in force.

Before connecting the crockery warmer to the electric mains, check that the voltage and frequency of the mains matches that which is shown on the rating plate located in the heating block inside.

The electric connection is made via an omnipolar switch, which is suitable for the intensity to be tolerated and which has a minimum gap of 3mm between its contacts, which will ensure disconnection in case of emergency or when cleaning the crockery warmer.

If a plug is used for the electric connection, then it must be accessible after installation.

The connection should include correct earthing, in compliance with current norms.

⚠ WARNING: THE CROCKERY WARMER MUST BE EARTHED.

If the flexible supply cable fitted to the crockery warmer ever needs to be changed, it should be replaced by an official After Sales Service, because it requires special tools.

The manufacturer and retailers do not accept responsibility for any damage that may be caused to people, animals or property if these installation instructions are not observed.

This document sets out the terms and conditions of the product warranties for AEG Appliances. It is an important document. Please keep it with your proof of purchase documents in a safe place for future reference should you require service for your Appliance.

- In this warranty:
 - 'acceptable quality' as referred to in clause 10 of this warranty has the same meaning referred to in the ACL;
 - 'ACL' means Schedule 2 to the Competition and Consumer Act 2010;
 - 'Appliance' means any AEG product purchased by you and accompanied by this document;
 - 'ASC' means AEG authorised service centres;
 - AEG is the brand controlled by Electrolux Home Products Pty Ltd of 163 O'Riordan Street, Mascot NSW 2020, ABN 51 004 762 341 in respect of Appliances purchased in Australia and Electrolux (NZ) Limited (collectively 'Electrolux') of 3-5 Niall Burgess Road, Mount Wellington, in respect of Appliances purchased in New Zealand;
 - 'major failure' as referred to in clause 10 of this warranty has the same meaning referred to in the ACL and includes a situation when an Appliance cannot be repaired or it is uneconomic for Electrolux, at its discretion, to repair an Appliance during the Warranty Period;
 - 'Warranty Period' means the Appliance is warranted against manufacturing defects in Australia and New Zealand for 60 months, following the date of original purchase of the Appliance;
 - 'you' means the purchaser of the Appliance not having purchased the Appliance for re-sale, and 'your' has a corresponding meaning.
- This warranty only applies to Appliances purchased and used in Australia or New Zealand in normal domestic applications and is in addition to (and does not exclude, restrict, or modify in any way) any non-excludable statutory warranties in Australia or New Zealand.
- During the Warranty Period Electrolux or its ASC will, at no extra charge if your Appliance is readily accessible for service, without special equipment and subject to these terms and conditions, repair or replace any parts which it considers to be defective. Electrolux or its ASC may use remanufactured parts to repair your Appliance. You agree that any replaced Appliances or parts become the property of Electrolux. This warranty does not apply to light globes, batteries, filters or similar perishable parts.
- Parts and Appliances not supplied by Electrolux are not covered by this warranty.
- To the extent permitted by law, you will bear the cost of transportation, travel and delivery of the Appliance to and from Electrolux or its ASC. If you reside outside of the service area, you will bear the cost of:
 - travel of an authorised representative;
 - transportation and delivery of the Appliance to and from Electrolux or its ASC.

In all instances, unless the Appliance is transported by Electrolux or an AEG authorised representative, the Appliance is transported at the owner's cost and risk while in transit to and from Electrolux or its ASC.
- Proof of purchase is required before you can make a claim under this warranty.

- You may not make a claim under this warranty unless the defect claimed is due to faulty or defective parts or workmanship. Electrolux is not liable in the following situations (which are not exhaustive):
 - The Appliance is damaged by:
 - accident
 - misuse or abuse, including failure to properly maintain or service
 - normal wear and tear
 - power surges, electrical storm damage or incorrect power supply
 - incomplete or improper installation
 - incorrect, improper or inappropriate operation
 - insect or vermin infestation
 - failure to comply with any additional instructions supplied with the Appliance;
 - The Appliance is modified without authority from Electrolux in writing.
 - The Appliance's serial number or warranty seal has been removed or defaced;
 - The Appliance was serviced or repaired by anyone other than Electrolux, an authorised repairer or ASC.
- This warranty, the contract to which it relates and the relationship between you and Electrolux are governed by the law applicable where the Appliance was purchased. Where the Appliance was purchased in New Zealand for commercial purposes the Consumer Guarantee Act does not apply.
- To the extent permitted by law and subject to your non-excludable statutory rights and warranties, AEG excludes all warranties and liabilities (other than as contained in this document) including liability for any loss or damage whether direct or indirect arising from your purchase, use or non use of the Appliance.
- For AEG Appliances and services in Australia, the Appliances come with a guarantee that cannot be excluded under the ACL. You are entitled to a replacement or refund for a major failure and for compensation for any other reasonably foreseeable loss or damage. You are also entitled to have the Appliance repaired or replaced if the Appliance fails to be of acceptable quality and the failure does not amount to a major failure. The benefits to you given by this warranty are in addition to your other rights and remedies under a law in relation to the Appliances or services to which the warranty relates.
- At all times during the Warranty Period, Electrolux shall, at its discretion, determine whether repair, replacement or refund will apply if an Appliance has a valid warranty claim applicable to it.
- For Appliances and services provided in New Zealand, the Appliances come with a guarantee pursuant to the provisions of the Consumer Guarantees Act, the Sale of Goods Act and the Fair Trading Act.
- To enquire about claiming under this warranty, please follow these steps:
 - carefully check the operating instructions, user manual and the terms of this warranty;
 - have the model and serial number of the Appliance available;
 - have the proof of purchase (e.g. an invoice) available;
 - telephone the numbers shown below.
- You accept that if you make a warranty claim, Electrolux and its ASC may exchange information in relation to you to enable Electrolux to meet its obligations under this warranty.

Important Notice

Before calling for service, please ensure that the steps listed in clause 13 above have been followed.

<p>FOR SERVICE or to find the address of your nearest state service centre in Australia PLEASE CALL 1300 363 664 OR EMAIL customercare@aegaustralia.com.au <small>For the cost of a local call (Australia only)</small></p>	<p>SERVICE AUSTRALIA  www.aeg.com/au</p>	<p>FOR SPARE PARTS or to find the address of your nearest state spare parts centre in Australia PLEASE CALL 13 13 50 OR EMAIL customercare@aegaustralia.com.au <small>For the cost of a local call (Australia only)</small></p>
<p>FOR SERVICE or to find the address of your nearest authorised service centre in New Zealand FREE CALL 0800 10 66 10 OR EMAIL customercare@electrolux.co.nz <small>(New Zealand only)</small></p>	<p>SERVICE NEW ZEALAND  www.aeg.co.nz</p>	<p>FOR SPARE PARTS or to find the address of your nearest state spare parts centre in New Zealand FREE CALL 0800 10 66 20 OR EMAIL customercare@electrolux.co.nz <small>(New Zealand only)</small></p>

INHALTSVERZEICHNIS

1. INFORMATIONEN ZUR SICHERHEIT	16
2. GERÄTEBESCHREIBUNG	20
3. BEDIENUNG.....	21
4. FASSUNGSVERMÖGEN	24
5. REINIGUNG UND PFLEGE.....	24
6. WAS IST IM FALLE EINER FUNKTIONSTÖRUNG ZU TUN?	25
7. UMWELT- UND GESUNDHEITSSCHUTZ.....	26
8. INSTALLATIONSANLEITUNG	26
9. EINBAU	79

WIR DENKEN AN SIE

Vielen Dank, dass Sie sich für ein Gerät von AEG entschieden haben. Sie haben ein Produkt gewählt, hinter dem jahrzehntelange professionelle Erfahrung und Innovation stehen. Bei der Entwicklung dieses großartigen und eleganten Geräts haben wir an Sie gedacht. So haben Sie bei jedem Gebrauch die Gewissheit, dass Sie stets großartige Ergebnisse erzielen werden. Willkommen bei AEG.

Besuchen Sie uns auf unserer Website, um:



Anwendungshinweise, Prospekte, Fehlerbehebungs- und Service-Informationen zu erhalten:
www.aeg.com



Ihr erworbenes Produkt zu registrieren, um die besten Service dafür zu gewährleisten:
www.aeg.com/productregistration



Zubehör, Verbrauchsmaterial und Original-Ersatzteile für Ihr Gerät zu erwerben:
www.aeg.com/shop

REPARATUR- UND KUNDENDIENST

Bitte verwenden Sie ausschließlich Original-Ersatzteile für Ihre Produkte.

Halten Sie folgende Angaben bereit, wenn Sie sich an den Kundendienst wenden (diese Informationen finden Sie auf dem Typenschild): Modell, Produktnummer (PNC), Seriennummer.



Warnungs-/ Sicherheitshinweise.



Allgemeine Informationen und Empfehlungen.



Informationen zum Umweltschutz.

Änderungen vorbehalten.

1. ⚠ INFORMATIONEN ZUR SICHERHEIT

Lesen Sie die Anweisungen sorgfältig vor der Installation und bevor Sie Ihr Gerät in Betrieb setzen. Der Hersteller haftet nicht für unsachgemäße Installation und Nutzung der Geräte, die Verletzungen und Schäden verursachen können. Halten Sie die Anweisungen griffbereit, so dass sie während des Gebrauchs leicht konsultierbar sind.

Dieses Gerät entspricht den vorgeschriebenen Sicherheitsbestimmungen. Ein unsachgemäßer Gebrauch kann jedoch zu Schäden an Personen und Sachen führen.

1.1. Sicherheit von Kindern und gefährdeten Erwachsenen

⚠ WARNUNG! Erstickungs-, Verletzungs- und dauerhafte Unfähigkeitsgefahr:

- **Dieses Gerät kann dann von Kindern ab 8 Jahren, von Personen mit eingeschränkten körperlichen, sensorischen oder geistigen Fähigkeiten sowie von Personen ohne bisherige Erfahrung im Umgang mit solchen Geräten bedient werden, wenn sie dabei von einer Person, die für ihre Sicherheit verantwortlich ist, beaufsichtigt werden.**
- **Kinder dürfen nicht mit dem Gerät spielen. Kinder unter 3 Jahren dürfen sich nicht unbeaufsichtigt in der Nähe des Geräts aufhalten.**
- **Kinder dürfen das Gerät nicht reinigen oder warten, wenn sie dabei nicht beaufsichtigt werden.**
- **Halten Sie Kinder und Haustiere vom Gerät fern, wenn es in Betrieb oder in der Abkühlphase ist. Berührbare Teile sind heiss.**
- **Halten Sie das Verpackungsmaterial von Kindern fern.**
- **Reinigung und Wartung des Geräts darf nicht von Kindern ohne Aufsicht erfolgen.**
- **Halten Sie Kinder unter 8 Jahren vom Gerät und dem Netzkabel fern.**

1.2. Warnungen zur allgemeinen Sicherheit

- **WARNUNG!** Dieses Gerät und seine Teile werden bei Gebrauch heiß. Achten Sie darauf, die heißen Teile nicht zu berühren. Halten Sie Kinder unter acht Jahren von dem Gerät fern, es sei denn, diese werden dabei ständig beaufsichtigt.
- Der Ofen wird bei Gebrauch heiß. Halten Sie während des Backens oder Bratens Kinder in sicherem Abstand von dem Ofen.
- **ACHTUNG!** Benutzen Sie das Gerät nur im eingebauten Zustand. Nur so ist sichergestellt, dass Sie nicht mit Strom führenden Teilen in Berührung kommen.
- Fassen Sie die Elemente im Inneren erst an, nachdem der Ofen abgekühlt ist.
- **ACHTUNG!** Öffnen Sie auf keinen Fall das Gehäuse des Gerätes. Eventuelles Berühren spannungsführender Teile sowie Verändern des elektrischen und mechanischen Aufbaus gefährden Sie und führen möglicherweise zu Funktionsstörungen des Gerätes.
- Lesen Sie vor dem ersten Benutzen aufmerksam die Gebrauchsanweisung. Dadurch schützen Sie sich selbst und vermeiden Schäden an Ihrem Gerät
- Das Gerät kann im Innenraum je nach gewählter Temperatur und Benutzungsdauer bis zu ca. 80 °C heiß werden. Verwenden Sie zum Herausnehmen des erwärmten Geschirrs bei Bedarf Topfhandschuhe.
- Stellen oder setzen Sie sich nicht auf die geöffnete Geschirrschublade. Der Teleskopauszug wird beschädigt. Die Belastbarkeit der Geschirrschublade beträgt max. 25kg.
- Bewahren Sie keine Kunststoffbehälter oder brennbare Gegenstände im Gerät auf. Beim Einschalten können sie schmelzen oder sich entzünden. Brandgefahr!
- Benutzen Sie das Gerät nicht zum Beheizen von Räumen. Durch die Temperaturentwicklung können leicht entzündbare Gegenstände in der Nähe zu brennen beginnen.
- Nicht mehr benutzte Geräte müssen vom Elektronetz getrennt und alle wegführenden elektrischen Leitungen

entfernt werden, damit sie z. B. für spielende Kinder keine Gefahr darstellen.

1.3. Installation

- Während der Installation folgen Sie die Anweisungen die getrennt geliefert wurden.
- **ACHTUNG! Vergleichen Sie vor dem Anschließen des Gerätes die Anschlussdaten (Spannung und Frequenz) auf dem Typenschild mit denen des Elektronetzes. Diese Daten müssen unbedingt übereinstimmen, damit keine Schäden am Gerät auftreten. Im Zweifelsfall fragen Sie Ihren Elektroinstallateur.**
- **Nur qualifiziertes Personal darf das Gerät installieren und ersetzen Sie das Kabel ersetzen.**
- Die Elektronik muss mit einer Einrichtung zur **Abschaltung ausgestattet sein, womit das Gerät sich von jedem Pol vom Netz ausschalten lässt und die vollständige Trennung unter der Überspannungskategorie III bietet.**
- Wenn ein Stecker für die elektrische Verbindung verwendet wird, dann muss er nach der Installation zugänglich sein.
- **ACHTUNG! Die elektrische Sicherheit des Gerätes ist nur dann gewährleistet, wenn es an ein vorschriftsmäßig installiertes Schutzleitersystem angeschlossen wird. Der Hersteller kann nicht für Schäden verantwortlich gemacht werden, die durch eine fehlende oder unterbrochene Schutzleiterverbindung verursacht werden (z. B. elektrischer Schlag).**

1.4. Reinigung

- Verwenden Sie keine Scheuermittel oder scharfe Metallschaber zum Reinigen des Türglases, da diese die Oberfläche zerkratzen und somit zum Zersplittern des Glases führen können.
- **Aus Gründen der elektrischen Sicherheit darf das Gerät nicht mit Hochdruckreinigern oder Dampfreinigern gereinigt werden.**
- Verwenden Sie keinesfalls einen Dampfreiniger. Zum einen kann der Dampf an spannungsführende Teile gelangen und einen Kurzschluss auslösen. Zum

anderen kann der Dampfdruck zu dauerhaften **Beschädigungen von Oberflächen und Bauteilen** führen, für die der Hersteller keinen Schadenersatz leistet.

1.5. Wartung

- **ACHTUNG!** Bei Installations- und Reparaturarbeiten **muss das Gerät vom Netz getrennt sein. Das Gerät ist nur dann elektrisch vom Netz getrennt, wenn eine der folgenden Bedingungen erfüllt ist:**
 - die Sicherungen der Hausinstallation ausgeschaltet sind;
 - die Netzanschlussleitung vom Elektronetz getrennt ist. **Ziehen Sie bei Geräten mit Netzstecker nicht an der Anschlussleitung, sondern am Stecker, um das Gerät vom Netz zu trennen.**
- **Wenn das Anschlusskabel beschädigt ist, kann dieses nur vom Hersteller, seinem Servicepartner oder einer anderen qualifizierten Person ausgetauscht werden, um eine gefährliche Situation zu verhindern.**
- **ACHTUNG!** Wird der Stecker von der **Netzanschlussleitung entfernt, muss das Gerät von einer Elektrofachkraft eingebaut und angeschlossen werden. Beauftragen Sie bitte eine Elektrofachkraft, die die landesüblichen Vorschriften und die Zusatzvorschriften der örtlichen Elektroversorgungsunternehmen genau kennt und sorgfältig einhält. Der Hersteller kann nicht für Schäden verantwortlich gemacht werden, die durch Fehler beim Einbau oder Anschluss verursacht werden.**
- **ACHTUNG!** Installations- und Wartungsarbeiten sowie **Reparaturen dürfen nur qualifizierte Fachleute durchführen. Durch unsachgemäße Installations- und Wartungsarbeiten oder Reparaturen können erhebliche Gefahren für den Benutzer entstehen, für die der Hersteller nicht haftet.**
- **ACHTUNG!** Eine Reparatur des Gerätes während der **Garantiezeit darf nur von einem vom Hersteller autorisierten Kundendienst vorgenommen werden, sonst besteht bei nachfolgenden Schäden kein Garantieanspruch mehr.**

2. GERÄTEBESCHREIBUNG

2.1. Hauptkomponenten

1 Funktionswähler

2 EIN-/AUS-Schalter

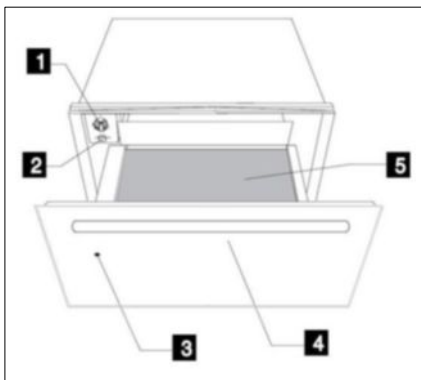
3 Kontrolllampe

4 Griff

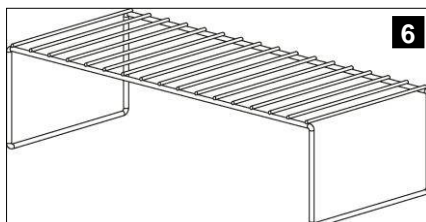
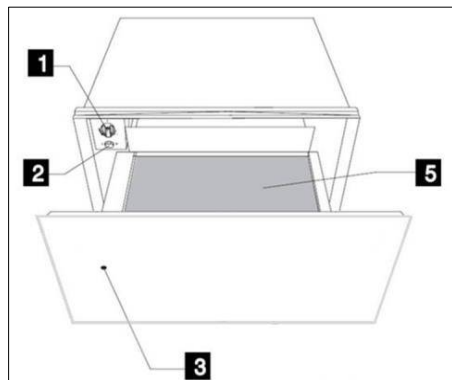
5 Antirutschauflage

6 Rost für Schublade*

KD91403 / KD92903 / KD92923



KD91404



*Rost für Schublade nur mit den Modellen KD92903E / KD92923E erhältlich

2.2. Bedienprinzip

Dieses Gerät verfügt über ein Heißluftsystem. Ein Gebläse verteilt die Wärme des Heizkörpers optimal in der Schublade.

Das Thermostat ermöglicht die Bestimmung und Überwachung der gewünschten Geschirrtemperatur. Durch die entstehende Luftzirkulation wird das Geschirr gleichmäßig und schnell erwärmt.

Ein Schutzgitter verhindert die Berührung mit Heizkörper und Gebläse. Der Boden der Geschirrschublade ist mit einer Antirutschauflage ausgelegt, die das Verrutschen des Geschirrs beim **Öffnen und Schließen der Schublade** verhindert.

3. BEDIENUNG

3.1. Vor dem ersten Gebrauch

Vor dem ersten Benutzen sollten Sie wie folgt vorgehen:

Wischen Sie Ihr Gerät mit einem feuchten Tuch ab und trocknen Sie es anschließend, entsprechend die Hinweise „Reinigung und Pflege“.

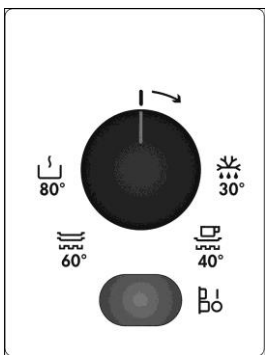
Heizen Sie die leere Schublade mindestens 2 Stunden lang auf. Stellen Sie dazu den Temperaturknebel auf Maximum (siehe Kapitel "Temperatur wählen").

Sorgen Sie dabei für eine gute Belüftung der Küche.

Die Bauteile sind mit einem Pflegemittel geschützt. Deshalb kommt es beim ersten Aufheizen vorübergehend zur

Geruchsbildung. Die Geruchsbildung und eventuell auftretender Dunst vergehen nach kurzer Zeit und weisen nicht auf einen Falschanschluss oder Gerätedefekt hin.

3.2. Bedienelemente



Die Bedienelemente bestehen aus dem **Funktionswähler und dem Ein-/Aus-Schalter**. Sie sind nur sichtbar, wenn die **Geschirrschublade geöffnet ist**.

3.3. Bedienprinzip

Um die **Wärmeschublade zu verwenden** verfahren wie folgt:

Stellen Sie das Geschirr in die Schublade.

Um die Funktion zu wählen, bitte drehen Sie den Schalter auf die gewünschte Position.

Schalten Sie das Gerät durch drücken des EIN-/AUS-Schalters ein. Der Schalter leuchtet auf.

Schließen Sie die Schublade.

Beachten Sie, dass sich die Schublade **wieder öffnen kann, wenn sie mit übermäßigem Schwung geschlossen wird.**

Schalten Sie das Gerät aus, bevor Sie das erwärmte Geschirr entnehmen.

3.4. Funktion wählen

Der Funktionswähler ermöglicht die stufenlose Einstellung der Temperatur zwischen ca. 30 und 80 °C.

Den Funktionswähler nur linksherum bis zur Position "0" drehen oder nach rechts bis zum Anschlag, den sonst wird der Wähler zerstört.

Ist die gewählte Temperatur erreicht, schaltet sich die Heizung ab. Sobald die Temperatur unter den eingestellten Wert sinkt, schaltet sich die Heizung wieder ein. Auf der Temperaturskala sind absolute Temperaturwerte in °C markiert, und auch Symbole, die die optimale Temperatur für die jeweilige Geschirrguppe darstellen:

Symbol	°C	Funktion
	30°C	Antauen
	40°C- 50°C	Teig gehen lassen Tassen/Gläser vorwärmen
	60°C- 70°C	Geschirr vorwärmen Speisen warm halten
	80°C	Speisen Erhitzen Niedertemperaturgaren (nur mit Model KD92903E erhältlich)

3.5. Aufheizzeiten

Unterschiedliche Faktoren beeinflussen die Aufheizzeit:

- Material und Dicke des Geschirrs
- Beladungsmenge
- Beladungsanordnung
- Temperatureinstellung

Absolute Angaben sind daher nicht möglich.

Bitte ermitteln Sie im praktischen Gebrauch die optimalen Einstellungen für Ihren Haushalt.

Bei der Einstellung auf der Position  und um eine gleichmäßige Erwärmung zu erreichen können folgende Werte als Anhaltspunkte genannt werden:

Fassungsvermögen			Zeit (min)
Geschirr für Personen	für	6	30 – 35
Geschirr für Personen	für	12	40 – 45

3.6. Vorschläge für die Funktion Speisen warmhalten

Heizen Sie das Gerät grundsätzlich 15 Minuten vor, um sicherzustellen, dass im Innenraum die erforderliche Temperatur vorliegt.

3.7. Niedertemperaturgaren (nur mit dem Model KD92903E erhältlich)

Beim Niedertemperaturgaren lässt sich Fleisch bei niedrigen Temperaturen

schonend über eine längere Garzeit zubereiten.

Die Gardauer ist abhängig von der Grösse des Fleischstückes.

Verwenden Sie Geschirr aus Glass, Porzellan oder Keramik

3.3.8. Zubereitung:

- Heizen Sie das Gerät mit dem Geschirr bei 80°C für 10 Minuten vor.
- Das Fleisch in einer Pfanne mit Fett scharf anbraten und auf dem vorgewärmten Geschirr in die Wärmeschublade stellen. Einstellung bleibt bei 80°C.

Tabelle: Niedertemperaturen (Referenzwerte)

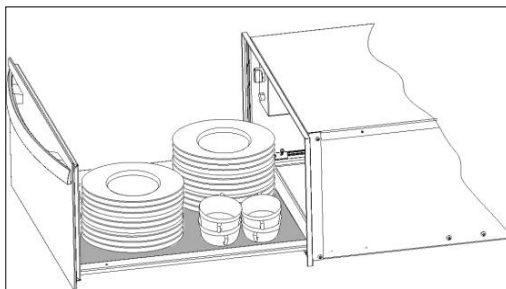
Anwendung	Menge	Anbraten auf der Kochstelle	Garzeiten
Rind			
Ganzbleu	1kg	Auf allen Seiten je 2 Min.	1 Std.
Nicht ganz durchgebraten	1kg	Auf allen Seiten je 3 Min.	1 ¼ Std
À point	1kg	Auf allen Seiten je 3 Min.	1 ¼ Std
durchgebraten	1kg	Auf allen Seiten je 3 Min.	2 ¼ - 2 ½ Std
Roastbeef am Stück	1kg	Auf allen Seiten je 3 Min.	3 Std blutig 4.5 Std. rosa
Kalb			
Filet, ganz	1kg	Auf allen Seiten je 2 Min.	1 ¾ - 2 Std
Karree am Stück	1kg	Auf allen 4 Seiten je 3 Min.	2 ¼ - 2 ½ Std
Braten, Stotxen	1kg	Auf allen Seiten je 3 Min.	2 - 2 ½ Std
Braten Schulter	1kg	Auf allen Seiten je 3 Min.	2 ½ Std.
Schwein			
Filet, ganz	500-600 g	Auf allen Seiten je 2 Min.	1 ½ Std.
Karree am Stück	600 -1000g	Auf allen 4 Seiten je 3 Min.	2 -2 ½ Std
Lamm		Rundherum 10-15 min	2-3 Std
Gigot mit Keule	2kg		
Gigotsteak aus Keule	2kg	Auf allen Seiten je 4 Min.	3-4 Std.
RückenfiletFilet	400g	Auf beiden Seiten je 2 Min.	¾ - 1 Std

1) Wenn Sie das gegarte Fleisch warm halten wollen, stellen Sie auf Einstellung 60°C zurück. Wir empfehlen nicht länger als 1 Std Warmzuhalten.

4. FASSUNGSVERMÖGEN

Das Fassungsvermögen hängt von der Größe der Geschirrstücke ab:

KD 91403 / KD 91404	KD 92903 / KD 92923
Geschirr für 6 Personen	Geschirr für 12 Personen
6 x 24 cm flache Teller	12 x 24 cm flache Teller
6 x 10 cm Suppenteller	12 x 10 cm Suppenteller
1 x 19 cm Servierteller	1 x 19 cm Servierteller
1 x 17 cm Servierteller	1 x 17 cm Servierteller
1 x 32 cm Fleischsteller	2 x 32 cm Fleischsteller
oder	oder
20 Teller mit Ø 28 cm	40 Teller mit Ø 28 cm
oder	oder
80 Espressotassen	160 Espressotassen
oder	oder
40 Teetassen	80 Teetassen
oder	oder
...	...



5. REINIGUNG UND PFLEGE

⚠ Die Reinigung stellt die einzige, normalerweise erforderliche Wartung dar.

Achtung! Die Reinigung muss an dem von der Stromversorgung getrennten **Gerät durchgeführt werden. Ziehen Sie den Stecker aus der Steckdose oder schalten Sie den Stromversorgungskreis des Gerätes ab.**

Benutzen Sie keine aggressiven Reinigungs- oder Scheuermittel, keine **kratzenden Scheuertücher noch spitze Gegenstände, denn es können Flecken entstehen.**

5.1. Stirnseite und Bedienblende

Es reicht, das Gerät mit einem feuchten Lappen zu reinigen. Geben Sie, falls das

Gerät sehr verschmutzt sein sollte, einige Tropfen Geschirrspülmittel ins Waschwasser. Wischen Sie danach das **Gerät mit einem trockenen Lappen ab.**

Für Wärmeschubladen mit Edelstahlvorderseite können Spezialmittel für Edelstahloberflächen verwendet werden. Diese Mittel vermeiden dass die Oberflächen schnell wieder schmutzig werden. Tragen Sie das Mittel mit einem weichen Tuch flächig und sparsam auf.

Benutzen Sie bei Wärmeschubladen mit einer Aluminiumvorderseite ein mildes Glasreinigungsmittel und einen weichen, fusselfreien Lappen. Wischen Sie diese in horizontaler Richtung ab, ohne Druck auf die Oberfläche auszuüben.

5.2. Innenraum

Reinigen Sie nach jeder Nutzung die **Innenwände mit einem feuchten Lappen**. **Geben Sie, falls das Gerät** sehr verschmutzt sein sollte, einige Tropfen **Geschirrspülmittel ins Waschwasser**. **Wischen Sie danach die Oberflächen** mit einem trockenen Lappen ab. Verhindern Sie das Eindringen von Wasser in die **Belüftungslöcher**. Nutzen Sie die **Wärmeschublade nur nachdem sie trocken ist**.

5.3. Antirutschauflage

Die Antirutschauflage kann zur Reinigung des Schubladenbodens herausgenommen werden. Die Auflage reinigen Sie am besten von Hand mit warmem Wasser und einem **milden Spülmittel**. Trocknen Sie sie im Anschluss gut ab. Legen Sie die Antirutschauflage erst wieder in die Schublade, wenn sie ganz trocken ist.

6. WAS IST IM FALLE EINER FUNKTIONSSTÖRUNG ZU TUN?


ACHTUNG! Jegliche Art von Reparatur darf nur von spezialisierten **Fachleuten ausgeführt werden**. Jeder Eingriff, der durch nicht vom Hersteller autorisierte Personen vorgenommen wird, ist gefährlich.

Folgende **Probleme können behoben** werden, ohne den Kundendienst zu benachrichtigen:

- **Das Geschirr erwärmt nicht ausreichend?** Prüfen Sie, ob:
 - das Gerät eingeschaltet ist.
 - die richtige Temperatureinstellung gewählt wurde.
 - Sie die **Austrittsöffnungen durch große Platten oder Schüsseln verdeckt** haben.
 - Sie **das Geschirr lange genug erwärmt** haben.
- **Unterschiedliche Faktoren beeinflussen die Aufheizzeit, zum Beispiel:**

- Material und Dicke des Geschirrs
- Beladungsmenge
- Beladungsanordnung
- Temperatureinstellung
- **Das Geschirr erwärmt nicht?** Prüfen Sie, ob:
 - Sie ein Gebläsegeräusch hören.
 - Falls das Gebläse läuft, ist der **Heizkörper defekt**. Falls das Gebläse nicht läuft ist das Gebläse defekt.
 - die Sicherung der Hausinstallation ausgelöst hat.
- **Temperatur lässt sich nicht mehr regeln.**
 - Der Temperaturregler ist defekt.
- **Beim Einschalten des Gerätes leuchtet der Ein-/Aus-Schalter nicht?**
 - Die Kontrolllampe des Schalters ist defekt.

7. UMWELT- UND GESUNDHEITSSCHUTZ

 Recyceln Sie Materialien mit dem Symbol. Entsorgen Sie die Verpackung in den entsprechenden **Recyclingbehältern**. **Recyceln Sie** zum Umwelt- und Gesundheitsschutz **elektrische und elektronische Geräte**. Entsorgen Sie




Geräte mit diesem Symbol nicht mit dem Hausmüll. **Bringen Sie das Gerät zu Ihrer örtlichen Sammelstelle oder wenden Sie sich an Ihr Gemeindeamt.**


8. INSTALLATIONSANLEITUNG

8.1. Vor der Installation

Überprüfen Sie, dass die Versorgungsspannung, die auf dem Typenschild angegeben ist, mit Ihrer **Netzspannung übereinstimmt**. **Öffnen Sie die Schublade und entnehmen Sie alle Zubehörteile** sowie das Verpackungsmaterial.

 **Achtung!** Die Vorderseite der Schublade kann mit einer Schutzfolie versehen sein. Ziehen Sie diese Folie **vor der ersten Benutzung des Gerätes** Ofens vorsichtig ab, indem Sie an deren Unterseite beginnen.

Vergewissern Sie sich, dass die **Wärmeschublade nicht beschädigt ist**. **Überprüfen Sie, ob die Schublade richtig schließt** Benachrichtigen Sie den Kundendienst im Falle von vorhandenen Schäden.

 **Achten Sie** darauf, dass die **Steckdose nach Einbau des Gerätes leicht zugänglich** ist, ausserhalb der Geräterische.

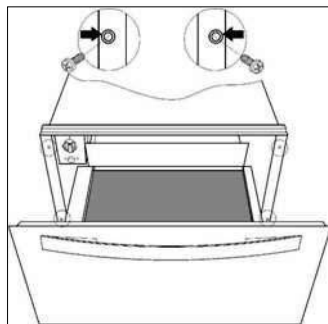
Der Geschirrwärmer darf ausschließlich in Kombination mit den vom Hersteller angegeben **Geräten eingebaut werden**. **Bei Kombination mit anderen Geräten** erlischt der Garantieanspruch, da die **Gewähr für einen ordnungsgemäßen Betrieb nicht mehr gegeben ist**.

8.2. Einbau

Für den Einbau von Geschirrwärmer und Kombinationsgerät muss ein fest eingebauter Zwischenboden vorhanden sein, der die erforderliche Tragfähigkeit für beide Geräte gewährleistet.

Das Kombinationsgerät wird ohne weiteren Zwischenboden direkt auf den **eingebauten Geschirrwärmer gestellt**. **Beachten Sie für den Einbau des Kombinationsgerätes unbedingt die Informationen** der jeweiligen **Gebrauchs- bzw. Montageanweisung**. **Die wichtigen Masse für den Einbau werden in "mm" auf den letzten Seiten dargestellt**. Wie folgt vorgehen:

1. **Stellen Sie das Gerät bis zur Schwadenleiste** in den Umbauschrank und richten Sie es aus.
2. **Achten Sie darauf, dass das Gehäuse des Gerätes rechtwinklig ausgerichtet wird**.
3. **Öffnen Sie die Schublade und befestigen Sie das Gerät mit den mitgelieferten Schrauben an den Seitenwänden des Schrankes**.



8.3. Elektroanschluss


Der Elektroanschluss muss von einem **qualifizierten Techniker gemäß der**

geltenden Gesetzgebung durchgeführt werden.

Vor Anschluss der **Wärmeschublade** an das Hauptnetz muss sichergestellt werden, dass Spannung und Frequenz des Hauptnetzes den Angaben des Typenschildes entsprechen. Dieses befindet sich im Innern des Heizblocks.

Der Elektroanschluss erfolgt über einen allpoligen Schalter, der für die entsprechende Stromstärke geeignet ist. Dieser Schalter sollte einen Mindestabstand von 3 mm zwischen den Kontakten aufweisen, sodass eine Unterbrechung im Notfall bzw. bei einer **Reinigung der Wärmeschublade möglich ist.** Falls für den Elektroanschluss ein Stecker verwendet wird, so muss nach der Installation der Zugriff auf diesen Stecker gewährleistet sein.

Der Anschluss muss mit einer **angemessenen Erdung gemäß dem** geltenden Vorschriften ausgestattet sein.

 **ACHTUNG: DIE WÄRMESCHUBLADE MUSS GEERDET SEIN.**

Das Auswechseln des biegsamen **Stromkabels an der Wärmeschublade** sollte nur von einem qualifizierten Kundendienstmitarbeiter vorgenommen werden, da hierfür besonderes Werkzeug erforderlich ist.

Der Hersteller und der Wiederverkäufer lehnen jegliche Haftung für eventuelle Schäden ab, die Personen, Tieren oder Sachen infolge der Nichtbeachtung der vorliegenden Installationsanleitung zugefügt werden

SOMMAIRE

1. CONSIGNES DE SÉCURITÉ	29
2. DESCRIPTION DE L'APPAREIL	33
3. UTILISATION.....	34
4. CAPACITÉ DE CHARGE.....	37
5. NETTOYAGE ET ENTRETIEN.....	37
6. QUE FAIRE EN CAS DE MAUVAIS FONCTIONNEMENT?.....	38
7. PROTECTION DE L'ENVIRONNEMENT	39
8. INSTRUCTIONS POUR L'INSTALLATION	39
9. L'INSTALLATION.....	79

NOUS PENSONS À VOUS

Merci d'avoir choisi ce produit AEG. Avec ce produit, vous bénéficiez de dizaines d'années d'expérience professionnelle et d'innovation. Ingénieux et élégant, il a été conçu sur mesure pour vous. Grâce à cet appareil, vous savez que chaque utilisation vous apportera satisfaction. Bienvenue chez AEG.

Visitez notre site Internet pour



Obtenir des conseils d'utilisation, des brochures, de l'aide, des informations :
www.aeg.com



Enregistrer votre produit pour obtenir un meilleur service :
www.aeg.com/productregistration



Acheter des accessoires, consommables et pièces de rechange d'origine pour votre appareil :
www.aeg.com/shop

SERVICE APRÈS-VENTE

N'utilisez que des pièces de rechange d'origine.

Avant de contacter le service, assurez-vous de disposer des informations suivantes :
Vous trouverez ces informations sur la plaque signalétique. Modèle, PNC, numéro de série.



Avertissement/Attention : **consignes de sécurité.**



Informations générales et conseils.



Informations en matière de protection de l'environnement.

Sous réserve de modifications.

1. ⚠️ CONSIGNES DE SÉCURITÉ

Avant d'installer et d'utiliser cet appareil, lisez soigneusement les instructions fournies. Le fabricant ne peut **être tenu pour responsable des dommages et blessures liés à une mauvaise installation ou utilisation**. Conservez toujours cette notice avec votre appareil pour **vous y référer ultérieurement**. Votre appareil est aux **normes de sécurité en vigueur**. Une utilisation inadéquate peut constituer un danger pour l'utilisateur.

1.1. Sécurité des enfants et des personnes vulnérables

⚠️ ADVERTISSEMENT!

Risque **d'asphyxie, de blessure ou d'invalidité permanente**.

- **Cet appareil peut être utilisé par des enfants de plus de 8 ans, ainsi que des personnes dont les capacités physiques, sensorielles et mentales sont réduites ou dont les connaissances et l'expérience sont insuffisantes, à condition d'être surveillés par une personne responsable de leur sécurité.**
- **Ne laissez pas les enfants jouer avec l'appareil. Les enfants de moins de 3 ans ne doivent pas être laissés sans surveillance à proximité de l'appareil.**
- **Ne laissez pas les emballages à la portée des enfants.**
- **Tenez les enfants éloignés de l'appareil lorsqu'il est en cours de fonctionnement ou lorsqu'il refroidit. Les parties accessibles sont chaudes.**
- **Les enfants ne doivent pas nettoyer ni entreprendre une opération de maintenance sur l'appareil sans surveillance.**
- **L'appareil et son cordon d'alimentation doivent être conservés hors de portée des enfants âgés de moins de 8 ans.**

1.2. Sécurité générale

- **AVERTISSEMENT: L'intérieur de l'appareil devient chaud lorsqu'il est en fonctionnement. Ne touchez pas les éléments chauffants se trouvant dans l'appareil.** Utilisez toujours des gants de cuisine pour retirer ou enfourner des accessoires ou des plats allant au four.
- **La température des surfaces accessibles peut être élevée pendant le fonctionnement de l'appareil.**
- **ATTENTION! Ne mettez l'appareil en marche qu'une fois celui-ci dûment encastré, car c'est la seule façon d'interdire l'accès aux composants électriques.**
- **ATTENTION! N'ouvrez jamais la structure de l'appareil. D'éventuels contacts avec les pièces conductrices ou modifications des composants électriques ou mécaniques peuvent constituer un danger pour la sécurité de l'utilisateur et perturber le bon fonctionnement de l'appareil.**
- **Selon la température et le temps de fonctionnement sélectionnés, la température à l'intérieur de l'appareil peut monter jusqu'à 80 °C. Utilisez des gants de cuisine pour vous protéger les mains quand vous retirez la vaisselle de l'intérieur du chauffe-vaisselle.**
- **Le tiroir peut supporter un poids maximum de 25 kg. Prenez garde de ne pas le surcharger, cela endommagerait les rails télescopiques.**
- **Les récipients et objets synthétiques ou qui prennent facilement feu ne doivent pas être rangés dans le chauffe-vaisselle. Si l'appareil est mis en marche, ils peuvent fondre ou brûler. Danger d'incendie.**
- **N'utilisez pas votre appareil comme chauffage de maison. Les hautes températures peuvent mettre le feu à des objets facilement inflammables situés près de l'appareil.**
- **Quand vous cessez définitivement d'utiliser l'appareil, à la fin de sa vie utile, débranchez-le du réseau et éliminez le câble électrique pour éviter le danger que les enfants s'en servent pour s'amuser.**

1.3. Installation

- **Le système électrique doit être équipé d'un moyen de déconnexion, avec une séparation de contact sur tous les pôles assurant une coupure complète de la catégorie de surtension III.**
- Si une **fiche est utilisée pour la connexion électrique, alors la même doit être accessible après l'installation.**
- **ATTENTION!** Avant de brancher l'appareil, comparez-en les données (tension et fréquence) indiquées sur la plaque des caractéristiques avec celles de votre réseau électrique. Elles doivent correspondre, pour éviter tout problème. En cas de doute, appelez un électricien.
- **ATTENTION!** Si la prise de l'appareil doit être changée, l'installation et le branchement doivent être effectués par un technicien. Adressez-vous à un électricien attitré qui respecte les normes de sécurité. La responsabilité du fabricant n'est pas engagée pour des dommages provenant d'une erreur de montage ou de branchement.
- **ATTENTION!** La sécurité électrique de l'appareil n'est assurée que s'il est relié à la terre. La responsabilité du fabricant n'est pas engagée pour des dommages provenant d'un manque ou d'un défaut du système de protection de l'installation (choc électrique par exemple).

1.4. Nettoyage

- N'utilisez pas de nettoyeur vapeur pour nettoyer l'appareil.
- N'utilisez pas de produits abrasifs ni de racloirs pointus **en métal pour nettoyer la porte en verre car ils peuvent rayer sa surface, ce qui peut briser le verre.**
- **N'utilisez pas d'appareils de nettoyage à haute pression ou qui projettent de la vapeur.** La vapeur peut **atteindre les composants électriques et provoquer un court-circuit.** La pression de la vapeur peut aussi endommager durablement la surface de l'appareil et ses composants.

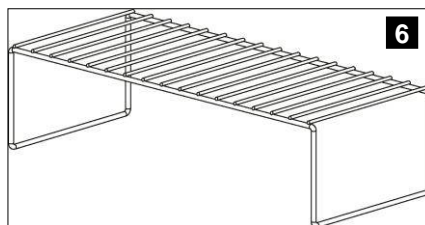
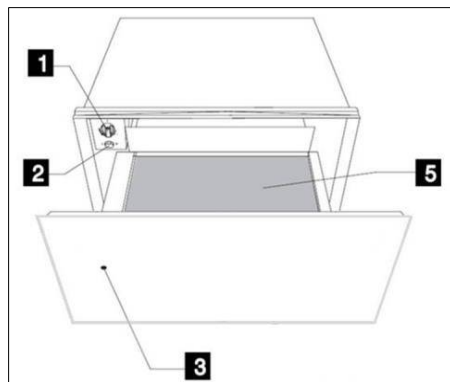
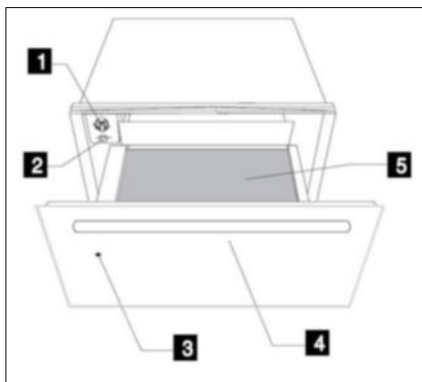
1.5. Réparation

- Avant toute opération de maintenance, déconnectez l'alimentation électrique.
- Si le câble d'alimentation est endommagé, il ne doit être remplacé que par un professionnel qualifié afin d'éviter tout danger.
- ATTENTION! L'appareil doit être débranché du réseau électrique quand sont effectués les travaux d'installation et de réparation. Pour que l'appareil soit débranché, vous devez constater l'une des conditions suivantes :
 - Les fusibles/disjoncteur du tableau électrique sont débranchés.
 - L'appareil est débranché de la prise murale, ce qui doit être fait en tirant sur la prise de l'appareil et non sur le câble électrique.
- ATTENTION! Les réparations et entretiens, tout particulièrement sur les pièces sous tension, ne peuvent être effectués que par des techniciens agréés par le fabricant. Le fabricant et les revendeurs déclinent toute responsabilité pour d'éventuels dommages, causés aux personnes, aux animaux ou aux biens, qui découlent de réparations ou entretiens effectués par des personnes non autorisées.
- ATTENTION! Les réparations au cours de la période de garantie ne doivent être exécutées que par des techniciens agréés par le fabricant. Dans le cas contraire, tout dommage provenant de ces réparations est exclu de la garantie.

2. DESCRIPTION DE L'APPAREIL

2.1. Composants principaux

- | | |
|------------------------------------------------|------------------------------------|
| 1 Sélecteur de fonctions | 4 Poignée |
| 2 Bouton marche/arrêt (voyant lumineux) | 5 Revêtement antidérapant |
| 3 Voyant du contrôle | 6 Grille de tiroir-réchaud* |



*Grille de tiroir-réchaud est uniquement disponible avec les modèles KD92903E / KD92923E

2.2. Principe de fonctionnement

Votre appareil est équipé d'un système de circulation d'air chaud. Un ventilateur distribue la chaleur, générée par une résistance électrique, dans tout l'intérieur de l'appareil.

Le thermostat permet de définir et de contrôler la température souhaitée pour la vaisselle.

La circulation de l'air chaud fait que la vaisselle est chauffée rapidement et uniformément.

La résistance ainsi que le ventilateur sont protégés par une grille métallique.

La base du tiroir est équipée d'un revêtement antidérapant pour empêcher la vaisselle de glisser quand vous ouvrez ou fermez le tiroir.

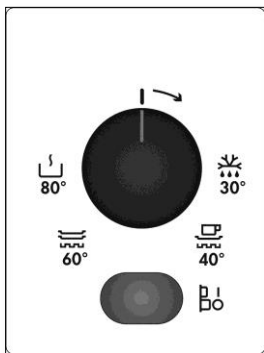
3. UTILISATION

3.1. Avant la première utilisation

Avant d'utiliser l'appareil pour la première fois, vous devez en laver l'intérieur et l'extérieur en suivant les indications sur le nettoyage figurant au chapitre «Nettoyage et entretien».

Ensuite, chauffez le chauffe-vaisselle pendant au moins 2 heures en tournant le sélecteur de température sur la position maximum (consultez le chapitre « Sélectionner la température »). Veillez à aérer correctement la cuisine. Les pièces de l'appareil sont protégées par un produit spécial qui peut éventuellement, lors de la première mise en marche, dégager une odeur et un peu de fumée qui disparaissent très vite. Ni l'une ni l'autre ne constituent une anomalie de fonctionnement de l'appareil.

3.2. Tableau de commandes



Le tableau de commandes comporte un sélecteur de fonction et un bouton marche/arrêt. Le tableau de commandes n'est visible que lorsque le tiroir est ouvert.

3.3. Principe d'utilisation

Pour utiliser le chauffe-vaisselle, procédez de la façon suivante :

- Placez la vaisselle dans le tiroir.
- Sélectionnez la fonction en tournant le thermostat sur la position désirée.
- Mettez l'appareil en marche en appuyant sur l'interrupteur dont le voyant s'allume.
- Fermez le tiroir.

Prenez garde que le tiroir peut se rouvrir si vous le fermez trop fort.

Avant de retirer la vaisselle chaude, vous devez éteindre le chauffe-vaisselle en appuyant de nouveau sur l'interrupteur.

3.4. Sélectionner la fonction





Vous pouvez sélectionner des températures entre 30 et 80 °C en tournant le thermostat.

Ne forcez pas le bouton du thermostat, ni vers la gauche de la position « 0 » ni vers la droite de la position maximum, car cela pourrait le détériorer.

Dès que la température sélectionnée est atteinte, le chauffage s'éteint. Il se rallume automatiquement si la température redescend.

Les températures sont indiquées en °C et par des symboles. Ils correspondent à la température optimisée pour un groupe de vaisselle.

Les températures sont indiquées en °C et par des symboles. Ils correspondent à la température optimisée pour un groupe de vaisselle:

Symbole	°C	Fonction
	30°C	Dégivrage
	40°C	Levage de la pâte Chauffage de tasses/verres
	60°C	Chauffage de vaisselle
	80°C	Chauffage d'aliments Cuisson à basse température (seulement pour le modèle KD92903E)


3.5. Temps de chauffage

Le temps de chauffage dépend de plusieurs facteurs :

- Matériel et épaisseur de la vaisselle ;
- Quantité de charge ;
- Disposition de la vaisselle ;
- Température sélectionnée.

Il est dès lors impossible d'indiquer des temps de chauffage rigoureusement exacts.

La pratique vous aidera à sélectionner les temps appropriés à votre vaisselle.

Les temps ci-dessous sont donnés à titre indicatif pour le thermostat en position  et pour obtenir un chauffage uniforme de la vaisselle :

Charge	Temps (min)
Vaisselle pour 6 personnes	30 – 35
Vaisselle pour 12 personnes	40 – 45

3.6. Suggestions pour la fonction Chauffage d'aliments

Chauffer le plat pendant 15 minutes afin de vous assurer que la température nécessaire soit atteinte.

3.7. Cuisson à basse température (seulement pour le modèle KD92903E)

Cuisson à basse température: ce mode de cuisson convient particulièrement bien à la viande qui a besoin de cuir pendant un certain temps à de faibles températures.

La durée de cuisson est définie en

fonction du poids de la viande.

Utiliser des plats en verre, en porcelaine ou en céramique.

3.8. Préparation

- Chauffer l'appareil avec les plats à 80°C pendant une dizaine de minutes.
- Faire cuire la viande dans une poêle avec un peu de matière grasse et disposer ensuite sur le plat préchauffé avant de la mettre dans le tiroir chauffant. La température définie est toujours de 80°C..

Tableau : Cuisson à basse température (références)

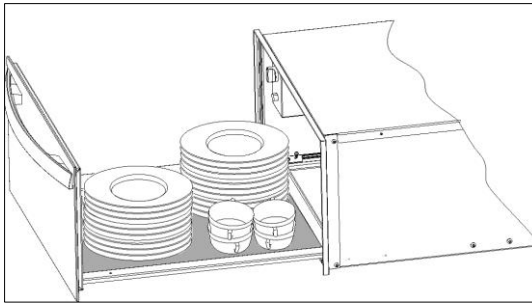
Utilisation	Poids	Préparation sur le plan de cuisson	Temps de cuisson
Boeuf			
Bleu	1kg	2 minutes sur chaque côté	1 heure
Saignant	1kg	3 minutes sur chaque côté	1 heure et 15 minutes
À point	1kg	3 minutes sur chaque côté	1 heure et 45 minutes
Bien cuit	1kg	3 minutes sur chaque côté	2 heure et 15 minutes à 2 heures et 30 minutes
Rosbif	1kg	3 minutes sur chaque côté	3 heures saignant 4 heures et demi heures rosé
Veau			
Filet	1kg	2 minutes sur chaque côté	1 heure et 45 minutes à 2 heures
Carré	1kg	3 minutes sur chaque côté.	2 heures à 2 heures et 30 minutes
Gigot	1kg	3 minutes sur chaque côté.	2 heures à 2 heures et 30 minutes
Epaule	1kg	3 minutes sur chaque côté.	2 heures et 30 minutes
Porc			
Filet	500-600 g	2 minutes sur chaque côté	1 heure et 30 minutes
Carré de porc	600 -1000g	10 à 15 minutes tout autour	2 à 3 heures
Agneau			
Gigot	2kg	4 minutes sur chaque côté.	3 à 4 heures
Steak	2kg	2 minutes sur chaque côté	45 minutes à 1 heure
Filet	400g	2 minutes sur chaque côté	1 heure à 1 heure et 15 minutes

1) Si vous voulez garder au chaud la viande cuite, merci de régler sur 60°C. Nous vous conseillons de ne pas garder au chaud votre plat plus d'une heure.

4. CAPACITÉ DE CHARGE

La capacité de charge dépend des dimensions des articles de vaisselle:

KD 91403 / KD 91404	KD 92903 / KD 92923
Service de 6 personnes	Service de 12 personnes
6 assiettes de 24 cm	12 assiettes de 24 cm
6 bols de 10 cm	12 bols de 10 cm
1 plat de 19 cm	1 plat de 19 cm
1 plat de 17 cm	1 plat de 17 cm
1 plat de 32 cm	2 plats de 32 cm
ou	ou
20 plats de 28 cm	40 plats de 28 cm
ou	ou
80 tasses à café	160 tasses à café
ou	ou
40 tasses à thé	80 tasses à thé
ou	ou
Service de 6 personnes	Service de 12 personnes



5. NETTOYAGE ET ENTRETIEN

⚠ Le nettoyage est l'unique entretien normalement nécessaire

Attention ! Le nettoyage doit être effectué quand le chauffe-vaisselle est débranché de l'alimentation électrique.

Retirez la prise du mur ou débranchez le circuit d'alimentation du chauffe-vaisselle. N'utilisez pas de produits de nettoyage agressifs ou abrasifs, ni frottoirs ni objets pointus qui peuvent provoquer des rayures. N'utilisez pas d'appareils de nettoyage à haute pression ou qui projettent de la vapeur

5.1. Partie avant de l'appareil et tableau de commandes

Il suffit de nettoyer le chauffe-vaisselle avec un chiffon humide. S'il est très sale, ajoutez quelques gouttes de produit vaisselle à l'eau de lavage. Essayez ensuite les surfaces avec un chiffon sec. Les chauffe-vaisselle dont l'avant est en acier inoxydable, peuvent être nettoyés avec des produits spéciaux pour ce type de surface. Ces produits évitent que les surfaces ne se resalissent rapidement. Appliquez une fine couche de produit sur toute la surface avec un chiffon doux

Les chauffe-vaisselle dont l'avant est en aluminium peuvent être nettoyés avec un produit léger pour les vitres et un chiffon

doux qui ne laisse pas de fibres. Nettoyez dans le sens horizontal sans appuyer car l'aluminium est un métal mou qui se raye ou se coupe facilement.

5.2. Intérieur du chauffe-vaisselle

Nettoyez régulièrement l'intérieur du chauffe-vaisselle avec un chiffon humide. S'il est très sale, ajoutez quelques gouttes de produit vaisselle dans l'eau de lavage.

Nettoyez ensuite les surfaces avec un chiffon sec. Évitez de faire entrer de l'eau dans les orifices par où circule l'air. Attendez que votre chauffe-vaisselle soit bien sec avant de le réutiliser.

5.3. Revêtement antidérapant

Vous pouvez retirer le revêtement antidérapant pour nettoyer plus facilement le tiroir. Le revêtement peut être lavé à la main avec de l'eau chaude et quelques gouttes de produit vaisselle. Séchez-le bien pour finir. Vous ne devez remettre en place le revêtement antidérapant que lorsque le tiroir est bien sec.

6. QUE FAIRE EN CAS DE MAUVAIS FONCTIONNEMENT?

⚠ ATTENTION! Seuls des techniciens spécialisés sont à même d'effectuer les réparations, de quelque type que ce soit. Toute réparation effectuée par des personnes non agréées par le fabricant est dangereuse.

Avant d'appeler l'assistance technique, vérifiez les cas suivants :

- La vaisselle ne chauffe pas suffisamment? Vérifiez les points suivants :
 - L'appareil est bien branché et en marche.
 - Vous avez sélectionné la température adéquate.
 - Les orifices par où circule l'air sont obstrués par de la vaisselle.
- La vaisselle a chauffé pendant un temps suffisant?
- Le temps de chauffage dépend de divers facteurs, en particulier :

- Matière et épaisseur de la vaisselle.
- Quantité de vaisselle.
- Rangement et disposition de la vaisselle.

- La vaisselle ne chauffe pas? Vérifiez les points suivants :
 - Le ventilateur fonctionne (il fait du bruit). C'est peut-être alors la résistance qui
 - est en panne ; si le ventilateur ne fait pas de bruit, c'est lui qui doit être en panne.
 - Les plombs ont sauté ou le tableau électrique a disjoncté.
- La vaisselle est trop chaude?
 - Le sélecteur de température ne marche pas correctement.
- L'interrupteur marche/arrêt ne s'allume pas?

Le pilote de l'interrupteur a fondu.

7. PROTECTION DE L'ENVIRONNEMENT



Recyclez les matériaux portant le symbole. Déposez les emballages dans les conteneurs prévus à cet effet. Contribuez à la protection de l'environnement et à votre sécurité, recyclez vos produits électriques et électroniques.



Ne jetez pas les appareils portant le symbole avec les ordures ménagères. Emmenez un tel produit dans votre centre local de recyclage ou contactez vos services municipaux.

8. INSTRUCTIONS POUR L'INSTALLATION

8.1. Avant l'installation

Vérifiez que la tension d'alimentation de l'appareil, indiquée sur la plaque des caractéristiques, correspond à celle de votre installation.

Ouvrez le tiroir et retirez tous les accessoires ainsi que le matériel d'emballage.



Attention ! Le devant du chauffe-vaisselle peut être enveloppé d'une pellicule de protection. Retirez soigneusement cette pellicule avant la première utilisation.

Vérifiez que le chauffe-vaisselle n'est pas endommagé. Assurez-vous que le tiroir s'ouvre et se ferme correctement. En cas de détérioration, appelez le Service d'assistance technique.



Attention : la prise de courant doit rester facilement accessible après l'installation du chauffe-vaisselle. Le chauffe-vaisselle ne peut être encastré et combiné qu'avec les appareils indiqués par le fabricant. La garantie n'est pas valable s'il est monté et combiné avec d'autres appareils, car il n'est alors pas possible de garantir un fonctionnement correct.

8.2. Installation

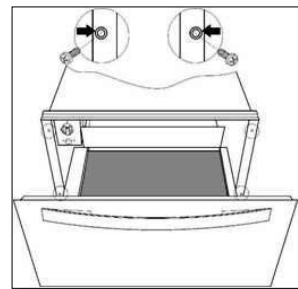
Pour encastrer le chauffe-vaisselle et le combiner avec un autre appareil, vous devez utiliser une étagère intermédiaire fixe, capable de supporter le poids des deux appareils.

L'appareil combiné avec le chauffe-vaisselle devra être placé directement sur le chauffe-vaisselle. Une étagère de

séparation n'est pas nécessaire. Pour encastrer l'appareil combiné avec le chauffe-vaisselle, suivez les indications figurant dans le manuel d'instructions et de montage de cet appareil. Les dimensions à prendre en considération pour l'installation sont indiquées en millimètres dans les croquis présentés dans les dernières pages.

Procédez de la façon suivante :

1. Placez le chauffe-vaisselle sur l'étagère et poussez-le vers le fond de façon à ce qu'il soit bien centré et bord à bord avec l'avant du meuble.
2. Assurez-vous que la structure du chauffe-vaisselle est bien à niveau et bien stable sur l'étagère.
3. Ouvrez le tiroir pour fixer le chauffe-vaisselle sur les côtés du meuble avec les deux vis fournies.



8.3. Branchement électrique

L'installation électrique doit être réalisée par un électricien qualifié et respecter la législation en vigueur.

Avant de brancher le chauffe-vaisselle sur secteur, assurez-vous que la tension

et la fréquence du secteur correspondent à celles indiquées sur la plaque signalétique se trouvant à l'intérieur du bloc chauffant.

Le branchement électrique s'effectue avec un interrupteur omnipolaire approprié pour tolérer l'intensité et présentant un espacement minimum de 3 mm entre ses éléments de contact, ceci afin d'assurer le découplage en cas d'urgence ou lors de du nettoyage du chauffe-vaisselle. Si vous utilisez une prise pour le branchement, celle-ci doit rester accessible après l'installation. Le branchement doit disposer d'une prise de terre adéquate et répondant aux normes actuelles.

 ATTENTION : LE CHAUFFE-VAISSELLE DOIT ÊTRE RELIÉ À LA TERRE.

Si le câble d'alimentation flexible du chauffe-vaisselle a besoin d'être changé, l'opération doit être réalisée par un employé du service après-vente car des outils particuliers sont nécessaires.

Le fabricant et les revendeurs déclinent toute responsabilité en cas de dommages provoqués par des personnes, des animaux ou des objets lorsque les instructions d'installation ne sont pas respectées.

INHOUD

1. VEILIGHEIDSINFORMATIE	42
2. BESCHRIJVING VAN HET APPARAAT	46
3. FUNCTIE	47
4. LAADCAPACITEIT	50
5. REINIGING EN ONDERHOUD	50
6. WAT TE DOEN BIJ STORINGEN?	51
7. MILIEUOVERWEGINGEN	52
8. INSTALLATIE-INSTRUCTIES	52
9. INSTALLATIE	79

WE DENKEN AAN U

Bedankt om een AEG-apparaat te kopen. U koos voor een product dat jaren professionele ervaring en innovatie bevat. Ingenieur en stijlvol, het werd ontworpen met u in het achterhoofd. Wanneer u het gebruikt, kunt u er op vertrouwen dat u keer op keer fantastische resultaten zult krijgen. Welkom bij AEG.

Ga naar onze website voor:



Advies over gebruik, brochures, het oplossen van problemen en onderhoudsinformatie:

www.aeg.com



Registreer uw product voor een betere service:

www.aeg.com/productregistration



Koop accessoires, verbruiksartikelen en originele reserveonderdelen voor uw apparaat:

www.aeg.com/shop

KLANTENSERVICE

Wij raden altijd het gebruik van originele onderdelen aan.

Zorg er als u contact opneemt met de klantenservice voor dat u de volgende gegevens bij de hand hebt.

De informatie staat op het typeplaatje: model, productnummer, serienummer.

 Waarschuwing - Belangrijke veiligheidsinformatie.

 Algemene informatie en tips

 Milieu-informatie.

Wijzigingen voorbehouden.

1. ⚠ VEILIGHEIDSINFORMATIE

Lees zorgvuldig de meegeleverde instructies voor installatie en gebruik van het apparaat. De fabrikant is niet verantwoordelijk voor letsel en schade veroorzaakt door een foutieve installatie. Bewaar de instructies van het apparaat voor toekomstig gebruik. Dit apparaat voldoet aan de van kracht zijnde veiligheidsnormen. Onjuist gebruik kan de gebruiker in gevaar brengen.

1.1. Veiligheid van kinderen en kwetsbare mensen

⚠ Waarschuwing!

Gevaar voor verstikking, letsel of permanente invaliditeit.

- Dit apparaat kan worden gebruikt door kinderen van 8 jaar en ouder en door mensen met beperkte lichamelijke, zintuiglijke of verstandelijke vermogens of een gebrek aan ervaring en kennis, indien zij onder toezicht staan van een volwassene of van iemand die verantwoordelijk is voor hun veiligheid.
- Laat kinderen niet met het apparaat spelen. Kinderen jonger dan 3 jaar moeten niet zonder toezicht in de buurt van het apparaat worden gelaten.
- Houd alle verpakkingsmaterialen uit de buurt van kinderen.
- Houd kinderen en huisdieren uit de buurt van het apparaat als het in werking is of afkoelt. Het apparaat is heet.
- Reiniging en onderhoud mag niet worden uitgevoerd door kinderen zonder toezicht.
- Houd het apparaat en de snoeren buiten het bereik van kinderen jonger dan 8 jaar.

1.2. Algemene veiligheid

- Van binnen wordt het apparaat heet als het in werking is. Raak de verwarmingselementen in het apparaat niet aan. Gebruik altijd ovenhandschoenen om accessoires of kookgerei te plaatsen of verwijderen.
- Afhankelijk van de ingestelde temperatuur en tijd, kan **de binnenkant van het apparaat temperaturen van 80°C** bereiken. Bescherm uw handen door ovenwanten of

pannenlappen te gebruiken als u het servies uit de servieswarmer haalt.

- Leun of zit niet op de lade. Dit beschadigt de telescoopgeleiders. De lade kan een maximaal gewicht van 25 kg dragen.
- Bewaar geen synthetische of licht ontvlambare voorwerpen in de servieswarmer, aangezien deze zouden kunnen smelten of vlam vatten bij het aanzetten. Brandgevaar.
- Gebruik het apparaat niet als verwarming. De hoge temperaturen kunnen licht ontvlambare voorwerpen in de buurt van het apparaat doen vlam vatten.
- Als u het apparaat op het einde van zijn levensduur niet meer gebruikt, sluit hem van het elektriciteitsnet af en maak het snoer onbruikbaar zodat het geen gevaar meer oplevert bij eventuele kinderspeltjes.

1.3. Installatie

- In het elektrische systeem moet een mogelijkheid worden voorzien om het apparaat uit te schakelen, met een contactscheiding op alle polen die zorgt voor volledige ontkoppeling bij overspanning van categorie III.
- Als voor de elektrische aansluiting een plug wordt gebruikt, dan moet die na installatie toegankelijk zijn.
- Daarvoor geschikt scheidingsmechanismen zijn bijv. beveiligingsschakelaar, zekeringen (schroefzekeringen kunnen uit de houder worden gedraaid), aardlekschakelaar en beveiligingen.
- De aanraakbeveiliging dient door de inbouw gegarandeerd te zijn.
- **OPGELET!** Controleer voor u het apparaat aansluit of de gegevens (spanning en frequentie) op het typeplaatje overeenkomen met de stroomspanning van uw installatie. Indien dit niet het geval is, zouden er zich storingen kunnen voordoen. Neem bij twijfel contact op met een elektricien.
- **OPGELET!** Als de stekker is verwijderd van het elektrische snoer, dient het apparaat door een technicus te worden **geïnstalleerd en aangesloten**. Neem contact op met een erkend elektricien die de

bestaande veiligheidsnormen in acht neemt. De fabrikant stelt zich niet verantwoordelijk voor schade opgelopen door een onjuiste montage of aansluiting.

- **OPGELET!** De elektrische veiligheid van het apparaat wordt slechts gegarandeerd als het geaard is. De fabrikant stelt zich niet verantwoordelijk voor schade opgelopen door een gebrekkig beveiligingssysteem van de installatie of het ontbreken ervan (bijv. elektrische schokken).
- **OPGELET!** Gebruik het apparaat pas nadat het is ingebouwd. Slechts op deze manier wordt gewaarborgd dat u geen elektrische onderdelen kan bereiken.
- **OPGELET!** Open nooit de ommanteling van het apparaat. Eventueel aanrakingen met geleidende onderdelen of wijzigingen aan elektrische of mechanische onderdelen kunnen gevaarlijk zijn voor de gebruiker en een correcte werking van het apparaat verhinderen.

1.4. Reiniging

- Gebruik nooit agressieve reinigingsmiddelen of scherpe metalen schrapers om de glazen deur schoon te maken, deze kunnen krassen veroorzaken op het oppervlak, waardoor het glas zou kunnen breken.
- Gebruik geen stoomreiniger om het apparaat schoon te maken.
- Gebruik geen hogedruk- of stoomreinigers. De stoom kan elektrische onderdelen raken en kortsluiting veroorzaken. De druk van de stoom kan op lange termijn ook schade veroorzaken aan het oppervlak van het apparaat en aan de onderdelen.

1.5. Reparatie

- Zet de stroomtoevoer uit alvorens onderhoud te plegen.
- Als de voedingskabel beschadigd is, moet de fabrikant, een erkende serviceverlener of een gekwalificeerd persoon deze vervangen teneinde gevaarlijke situaties te voorkomen.
- **OPGELET!** Het apparaat moet bij installatie en reparatie van het elektriciteitsnet worden afgesloten.

Om het apparaat af te sluiten, dient u zich ervan te vergewissen dat:

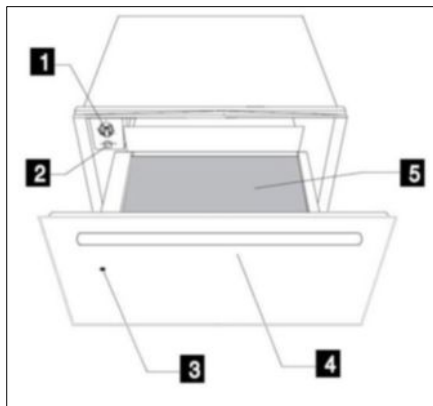
- De ekeringen/stroomonderbrekers op het schakelbord zijn uitgeschakeld.
- De stekker uit het stopcontact is. Trek om de stekker uit het stopcontact te halen niet aan het snoer maar aan de stekker zelf.
- **OPGELET!** Alle reparaties of onderhoud, in het bijzonder van onderdelen onder stroom, mogen alleen door de fabrikant erkende vakmensen worden uitgevoerd. De fabrikant en handelaars stellen zich niet verantwoordelijk voor persoonlijke letsels, letsels bij **dieren of materiële** schade veroorzaakt door reparaties en onderhoud door niet bevoegde personen.
- **OPGELET!** Alle reparaties tijdens de garantietijd mogen alleen door de fabrikant erkende vakmensen worden uitgevoerd. Als dit niet het geval is valt de schade door die reparatie niet onder de garantie.

2. BESCHRIJVING VAN HET APPARAAT

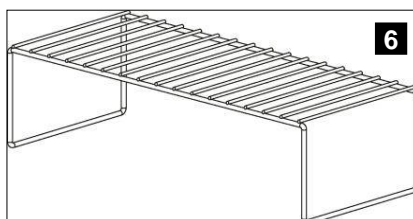
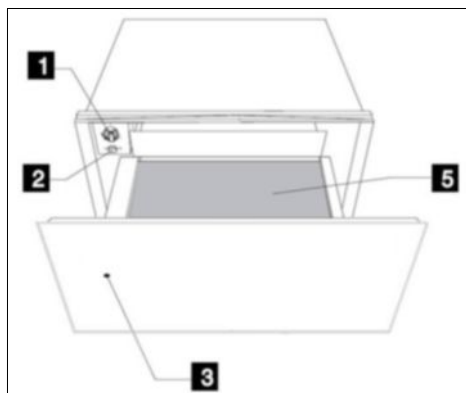
2.1. Belangrijkste onderdele

- | | | | |
|----------|------------------------------|----------|----------------|
| 1 | Functiekeuzeknop | 4 | Handgreep |
| 2 | Aan/uit-schakelaar(verlicht) | 5 | Antislipbodem |
| 3 | Kontrolllampe | 6 | Lade rooster * |

KD91403 / KD92903 / KD92923



KD91404



*Lade rooster alleen beschikbaar bij de modellen KD 92903E / KD92923E

2.2. Werkingsprincipe

Dit apparaat is met een heteluchtsysteem uitgerust. Een ventilator verdeelt de door een elektrische weerstand voortgebrachte warmte in het apparaat.

Met de thermostaat kan u de gewenste temperatuur voor het serviesgoed instellen en controleren. Het serviesgoed warmt dankzij de heteluchtcirculatie snel en gelijkmatig op.

Zowel de weerstand als de ventilator worden door een metalen rooster beschermd.

De lade is met een antislipbodem uitgerust, die het serviesgoed bij het openen en sluiten op zijn plaats houdt.

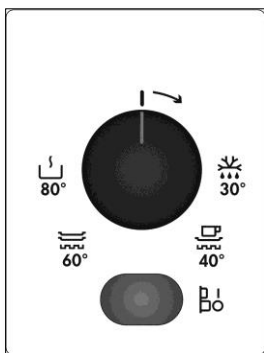
3. FUNCTIE

3.1. Vóór de eerste ingebruikname

Reinig voor de eerste ingebruikname de binnen- en buitenkant van de servieswarmer volgens de aanwijzingen onder "Reiniging en onderhoud".

Warm vervolgens de servieswarmer gedurende ten minste 2 uur op. Draai hiervoor de temperatuurknop op de hoogste stand (raadpleeg het hoofdstuk "Temperatuur instellen"). Voorzie een goede ventilatie in de keuken. De gele onderdelen zijn met een speciaal product beschermd. Daardoor zal er bij de eerste opwarming geur vrijkomen. Zowel de geur als het eventueel ontstaan van rook verdwijnen na korte tijd en wijzen niet op een onjuiste aansluiting of storing van het apparaat.

3.2. Bedieningspaneel



Het bedieningspaneel heeft een functieknop en een aan/uit-schakelaar. Het bedieningspaneel is alleen zichtbaar wanneer de lade open is.

3.3. Hoe de servieswarmer te gebruiken

Te gebruiken als volgt te werk:

- Plaats het serviesgoed in de lade.
- Selecteer de gewenste functie door de thermostaatknop naar de gewenste stand te draaien.
- Zet het apparaat aan door de schakelaar in te drukken, die vervolgens oplicht.
- Sluit de lade.

Let erop dat de lade kan opengaan als hij met te veel kracht wordt gesloten. Schakel alvorens het hete serviesgoed te verwijderen de servieswarmer uit door nogmaals de schakelaar in te drukken





3.4. Functie selecteren

Door aan de thermostaat te draaien kan u een temperatuur tussen 30 en 80 °C instellen.

Forceer de thermostaatknop niet naar links van de stand "0" of naar rechts van de hoogste stand, aangezien dat schade zou kunnen veroorzaken.

Zodra de ingestelde temperatuur is bereikt, gaat de verwarming uit. Als de temperatuur onder de ingestelde temperatuur daalt, springt de verwarming weer aan.

Op de temperatuurschaal staan absolute waarden in °C vermeld en symbolen, die overeenstemmen met de optimale temperatuur voor een bepaald type serviesgoed:

Symbol	°C	Functie
	30°C	Ontdooien
	40°C	Deeg laten rijzen Kopjes / glazen verwarmen
	60°C	Serviesgoed verwarmen Voedsel verwarmen
	80°C	Voedsel opwarmen Bereiden bij lage temperatuur van (alleen beschikbaar op het model KD92903E)

3.5. Opwarmtijden

Diverse factoren kunnen de opwarmtijd **beïnvloeden**:

- Materiaal en dikte van het serviesgoed ;
- Hoeveelheid ingeladen serviesgoed ;
- Hoe het serviesgoed werd opgestapeld ;
- Ingestelde temperatuur.

Hierdoor is het niet mogelijk precieze gegevens te verschaffen over de opwarmtijd.

Bij wijze van voorbeeld worden hier de volgende tijden opgegeven voor de thermostaat in de stand , om een gelijkmatige opwarming van het serviesgoed te verkrijgen:

Ingeladen	Tijd (min)
Serviesgoed voor 6 personen	30 – 35
Serviesgoed voor 12 personen	40 – 45

3.6. Aanbevelingen voor de functie 'Voedsel warmhouden' en 'Voedsel opwarmen':

Verwarm het apparaat voor gedurende 15 minuten om ervoor te zorgen dat de binnenkant op de vereiste temperatuur is.

3.7. Bereiden bij lage temperatuur van (alleen beschikbaar op het model KD92903E)

Met de lage temperatuurinstelling kan vlees langzaam worden bereid aan een

lage temperatuur gedurende een langere bereidingstijd. De bereidingstijd hangt af van de grootte van het stuk vlees. Gebruik glazen, porseleinen of keramieken schalen.

3.8. Voorbereiding:

- Warm het apparaat met de schalen **gedurende 10 minuten op 80 °C voor**.
- Braad het vlees aan in een pan met wat boter of olie en leg het op de voorverwarmde schotels in het apparaat. **Laat de temperatuur op 80°C staan**.

Tabel: Bereiden bij lage temperatuur (richtwaarden)

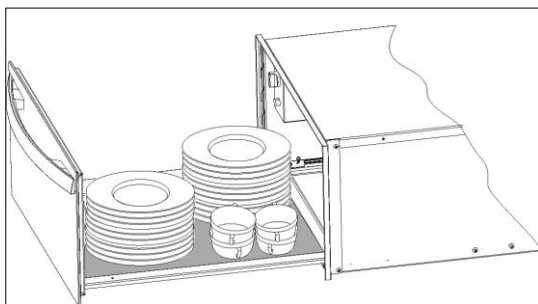
Toepassing	Hoeveelheid	Zacht aanbraden op het formuls	Bereidingsduur
Rundvlees			
Rundvlees	1 kg	rondomrond, elke kant 2 min.	1 uur
Rauw	1 kg	rondomrond, elke kant 3 min.	1 uur en 15 min.
Halfrauw	1 kg	rondomrond, elke kant 3 min.	1 uur en 45 min.
Medium	1 kg	rondomrond, elke kant 3 min.	2 uur en 15 min. tot 2,5 uur
Doorbakken	1 kg	rondomrond, elke kant 3 min.	3 uur rauw 4,5 uur medium
Rundergebraad in één stuk			
Kalfsvlees	1 kg	rondomrond, elke kant 2 min.	1 uur en 45 min. tot 2 uur
Filet, hele	1 kg	rondomrond, elke kant 3 min.	2 tot 2,5 uur
Lende, in één stuk	1 kg	rondomrond, elke kant 3 min.	2 tot 2,5 uur
Gebraad	1 kg	rondomrond, elke kant 3 min.	2,5 uur
Schoudergebraad			
Varkensvlees	500 tot 600 g	rondomrond, elke kant 2 min.	1,5 uur
Filet, hele	600 tot 1000 g	rondomrond 10 tot 15 min.	2 tot 3 uur
Lende			
Lamsvlees	2 kg	rondomrond, elke kant 4 min.	3 tot 4 uur
Bout met lende	2 kg	rondomrond, elke kant 2 min.	45 min. tot 1 uur
Lendesteak	400 g	rondomrond, elke kant 2 min.	1 uur tot 1 uur en 15 min.

1) Als u het bereide vlees warm wilt houden, stel dan in op 60 °C. Wij adviseren u de warmhoudfunctie niet langer dan een uur te gebruiken.

4. LAADCAPACITEIT

De laadcapaciteit hangt af van de grootte van het serviesgoed:

KD 91403 / KD 91404	KD 92903 / KD 92923
Serviesgoed voor 6 personen	Serviesgoed voor 12 personen
6 x 24cm eetborden	12 x 24cm eetborden
6 x 10cm soepkommen	12 x 10cm soepkommen
1 x 19cm opdienschaal	1 x 19cm opdienschaal
1 x 17cm opdienschaal	1 x 17cm opdienschaal
1 x 32cm vleesschalen	2 x 32cm vleesschalen
of	of
20 borden van Ø 28 cm	40 borden van Ø 28 cm
of	of
80 espressokopjes	160 espressokopjes
of	of
40 theekopjes	80 theekopjes
of	of
...	...



5. REINIGING EN ONDERHOUD

Normaal gezien is het reinigen het enige nodige onderhoud.

Opgelet! Het reinigen dient te gebeuren als de servieswarmer van het elektriciteitsnet is losgekoppeld. Trek de stekker uit het stopcontact of schakel het elektriciteitscircuit van de servieswarmer uit.

Gebruik geen bijtende of schuurmiddelen, schuursponzen of scherpe voorwerpen, aangezien die vlekken en krassen kunnen veroorzaken. Gebruik geen hogedruk- of stoomreinigers.

5.1. Voorkant van het apparaat en bedieningspaneel

Het volstaat de oven met een vochtige doek te reinigen. Als die heel vuil is, an

enkele druppels afwasmiddel aan het water toevoegen. Wrijf de servieswarmer daarna droog met een droge doek.

Voor de servieswarmers met een roestvrij stalen, voorkant kunnen speciale producten worden gebruikt voor de behandeling van roestvrij stalen oppervlakken. Deze producten voorkomen dat de oppervlakken weer snel vuil raken. Breng met een zachte doek een dunne laag van het product op het oppervlak aan.

Voor de servieswarmers met een aluminium voorkant kan u wat glasreiniger gebruiken met een zachte doek die geen draden loslaat. Maak horizontaal schoon zonder druk uit te oefenen op het

oppervlak, aangezien aluminium erg gevoelig is voor krassen en beschadiging.

5.2. Binnenkant van de servieswarmer

Maak de binnenkant van de servieswarmer regelmatig schoon met een vochtige doek. Als die heel vuil is, kan u enkele druppels afwasmiddel aan het water toevoegen.

Wrijf de oppervlakken daarna droog met een droge doek. Vermijd dat er water in de ventilatieopeningen komt. Gebruik de

servieswarmer pas weer als hij volledig is opgedroogd.

5.3. Antislipbodem

U kan de antislipbodem verwijderen om de lade gemakkelijker schoon te maken. De antislipbodem kan met de hand worden gewassen in warm water met enkele druppels afwasmiddel. Droog op het einde goed af. Plaats de antislipbodem pas weer op zijn plaats als de lade volledig is opgedroogd.

6. WAT TE DOEN BIJ STORINGEN?

 **OPGELET!** Alle reparaties dienen door vakmensen te worden uitgevoerd. Alle reparaties uitgevoerd door personen die niet door de fabrikant worden erkend kunnen gevaarlijk zijn.

Controleer alvorens contact op te nemen met de technische dienst de volgende punten:

- **Het serviesgoed warmt niet goed op?**
Controleer:
 - Of het apparaat aan staat.
 - Of u de juiste temperatuur hebt ingesteld.
 - Of de ventilatieopeningen door het serviesgoed bedekt worden.
 - Of het serviesgoed lang genoeg heeft opgewarmd.
- **De opwarmtijd hangt van verschillende factoren af, zoals bijvoorbeeld:**

- Materiaal en dikte van het serviesgoed.
- Hoeveelheid serviesgoed.
- Hoe het serviesgoed werd opgestapeld.

- **Het serviesgoed warmt niet op?**
Controleer of:

- U het geluid van de ventilator hoort.
- Als de ventilator werkt, dan betekent dat dat de weerstand waarschijnlijk defect is; als de ventilator niet werkt, betekent dat dat de ventilator waarschijnlijk defect is. De zekeringen/stroomonderbrekers op het schakelbord zijn gesmolten/gesprongen.
- **Het serviesgoed warmt te veel op?**
 - De temperatuurknop is defect.
- **De aan/uit-schakelaar licht niet op?**
 - Het indicatielampje is gesprongen

7. MILIEUOVERWEGINGEN



Recycle de materialen met het symbool. Gooi de verpakking in een geschikte verzamelcontainer om het te recyclen. Help om het milieu en de volksgezondheid te beschermen en recycle het afval van elektrische en elektronische apparaten.



Gooi apparaten gemarkeerd met het symbool niet weg met het huishoudelijk afval. Breng het product naar het milieustation bij u in de buurt of neem contact op met de gemeente

8. INSTALLATIE-INSTRUCTIES

8.1. Vóór de installatie

Controleer of de stroomspanning op het typeplaatje overeenkomt met de stroomspanning van uw installatie. Open de lade en verwijder alle accessoires en verpakkingsmateriaal.

⚠ Opgelet! De voorkant van de servieswarmer kan bedekt zijn met een beschermende folie. Verwijder deze folie voorzichtig voordat u het apparaat voor het eerst gebruikt.

Controleer of de servieswarmer niet beschadigd is. Controleer of de lade van de servieswarmer vlot open- en dichtgaat. In geval van schade, neem contact op met de technische dienst.

⚠ Opgelet! Na de installatie van de servieswarmer moet de stekker bereikbaar blijven.

De servieswarmer kan alleen worden ingebouwd in combinatie met de door de fabrikant aangeduide apparaten. Als hij in combinatie met andere apparaten wordt gemonteerd, vervalt de garantie, aangezien het niet mogelijk is een correcte werking van het apparaat te garanderen.

8.2. Installatie

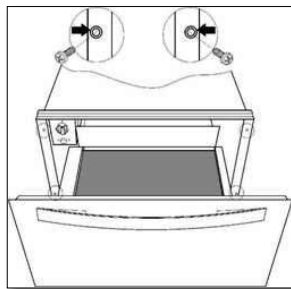
Om de servieswarmer in combinatie met een ander apparaat in te bouwen is er een vast schap nodig, dat het gewicht van beide apparaten kan dragen. Het apparaat dat met de servieswarmer wordt geïnstalleerd dient rechtstreeks op de servieswarmer te worden geplaatst, waarbij er geen tussenschap nodig is. Om het apparaat te installeren dat samen met de servieswarmer wordt

ingebouwd, volg de instructies in de respectieve gebruiksaanwijzing en installatie-instructies.

De afmetingen die van belang zijn bij de installatie staan in mm **aangeduid op de figuren op de laatste bladzijden**

Ga als volgt te werk:

1. Plaats de servieswarmer op het schap en schuif hem naar binnen zodat hij goed gecentreerd de voorkant van de kast raakt.
2. Controleer of de ommanteling van de servieswarmer goed genivelleerd is en stevig op het schap staat.
3. Open de lade en bevestig de servieswarmer aan de zijkanten van de kast met behulp van de twee bijgeleverde schroeven.



8.3. Elektrische aansluiting

De elektrische installatie moet worden uitgevoerd door een electricien die bevoegd is op grond van de heersende regelgeving.

Voordat u de servieswarmer aansluit op de netstroom, controleert u of de voltage en de frequentie overeenkomen met hetgeen op het typeplaatje vermeld staat dat zich in het verwarmingsblok aan de binnenkant bevindt.

De elektrische aansluiting komt tot stand via een meerpolige schakelaar die de maximale intensiteit kan verdragen en die een minimale ruimte van 3mm tussen de contacten heeft, waardoor de stroom in noodgevallen of bij het schoonmaken van de servieswarmer wordt afgesloten. Als voor de elektrische aansluiting een stekker wordt gebruikt, moet die na de installatie toegankelijk zijn. De aansluiting moet zijn voorzien van een correcte aarding, in overeenstemming met de geldende normen.

 **WAARSCHUWING: DE SERVIESWARMER MOET GEAARD ZIJN.**

Mocht de flexibele toevoerkabel die aan de servieswarmer bevestigd is, moeten worden vervangen, dan moet dat door **een officiële After Sales Service** gebeuren, omdat er speciaal gereedschap voor nodig is.

De fabrikant en detailhandelaren aanvaarden geen enkele aansprakelijkheid voor enige schade die wordt toegebracht aan mensen, dieren of eigendommen, indien deze installatie-instructies niet worden opgevolgd.

ÍNDICE

1. INFORMACIÓN SOBRE SEGURIDAD	55
2. DESCRIPCIÓN DEL APARATO	59
3. MANEJO	60
4. CAPACIDAD DE CARGA	62
5. LIMPIEZA Y CUIDADO.....	63
6. ¿QUÉ HACER CUANDO EL APARATO NO FUNCIONA?.....	64
7. INFORMACIONES ACERCA DE LA PROTECCIÓN DEL MEDIO AMBIENTE	64
8. INSTRUCCIONES DE INSTALACIÓN	65
9. MONTAJE	79

PENSAMOS EN USTED

Gracias por adquirir un aparato AEG. Ha escogido un producto que contiene décadas de experiencia e innovación profesionales. Ingenioso y elegante, se ha diseñado pensando en usted. Así pues, siempre que lo utilice, puede tener la seguridad de que conseguirá excelentes resultados. Bienvenido a AEG

Visite nuestro sitio web para:



Obtener consejos, folletos, soluciones a problemas e **información de servicio:**

www.aeg.com



Registrar su producto para recibir un mejor servicio:

www.aeg.com/productregistration



Adquirir accesorios, artículos de consumo y recambios originales para su aparato:

www.aeg.com/shop

ATENCIÓN Y SERVICIO AL CLIENTE

Le recomendamos que utilice recambios originales.

Al contactar con el Servicio, cerciórese de tener la siguiente información a mano.

La información se puede encontrar en la placa de características. Modelo, PNC, Número de serie.



Advertencia - Precaución- Información sobre seguridad.



Información general y consejos.



Información medioambiental.

Sujeto a cambios sin previo aviso.

1. ⚠ INFORMACIÓN SOBRE SEGURIDAD

Antes de instalar y utilizar el aparato, lea atentamente las instrucciones facilitadas. El fabricante no se hace **responsable de los daños y lesiones causados por una instalación y uso incorrectos. Guarde siempre las instrucciones junto con el aparato para futuras consultas.** Este aparato cumple con las normas de seguridad obligatorias. No obstante, un uso no conforme a lo previsto **puede causar daños al usuario.**

1.1. Seguridad de niños y personas vulnerables

⚠ ¡ADVERTENCIA!

Existe riesgo de sufrir asfixia, lesiones o incapacidad permanente.

- **Este aparato puede ser utilizado por niños de 8 años en adelante y por personas cuyas capacidades físicas, sensoriales o mentales estén disminuidas o que carezcan de la experiencia y conocimientos suficientes para manejarlo, siempre que cuenten con la supervisión de una persona que se responsabilice de su seguridad.**
- **No deje que los niños jueguen con el aparato. Los niños menores de 3 años no deben estar sin vigilancia cerca del aparato.**
- Mantenga los materiales de embalaje alejados de los niños.
- **Mantenga a los niños y mascotas alejados del aparato cuando esté funcionando o enfriándose. Las piezas de fácil acceso están calientes.**
- **Evite que un niño lleve a cabo la limpieza y el mantenimiento de usuario sin la supervisión adecuada.**
- Mantenga el aparato y el cable fuera del alcance de los niños menores de 8 años

1.2. Seguridad general

- **El aparato se calienta cuando está en funcionamiento.** No toque las resistencias del aparato. Utilice siempre guantes de horno cuando introduzca o retire accesorios o utensilios refractarios.
- **ATENCIÓN!** Utilice el aparato solo cuando se encuentre **montado. Únicamente de esta manera está garantizado** que no pueda entrar en contacto con las partes activas del aparato.
- **ATENCIÓN!** No abra la carcasa del aparato. Un posible contacto con partes del **aparato con tensión, así como la modificación del tipo de construcción eléctrica y mecánica, es peligroso y puede provocar fallos de funcionamiento.**
- El aparato puede alcanzar en el interior **80 °C, en función de la temperatura seleccionada y la duración de uso.** Para extraer la vajilla del calentaplatos, debe **protegerse las manos con guantes o un paño de horno.**
- **No se siente ni apoye en el cajón. La extensión telescópica sufrirá daños. El cajón puede soportar una carga máxima de 25kg.**
- No guarde en el aparato recipientes de plástico u objetos inflamables. Estos pueden derretirse o inflamarse al encender el aparato. Peligro de incendio:
- **No utilice el aparato para la calefacción de habitaciones.** Debido al aumento de la temperatura, pueden **encenderse objetos fácilmente inflamables** que se encuentren cerca del aparato.
- Todos los aparatos que ya no se utilizan deben **desconectarse de la red eléctrica, y se cortarán todos los cables de alimentación, para que no puedan suponer un peligro, por ejemplo, a los niños cuando juegan.**

1.3. Instalación

- **ATENCIÓN!** Antes de conectar el aparato, compare los **datos de conexión (tensión y frecuencia) en la placa de características con los de la red eléctrica. Estos datos deben coincidir para que no se produzcan daños en el aparato.** En caso de dudas, consulte a su electricista.

- **ATENCIÓN!** La seguridad eléctrica del aparato solo está garantizada cuando se conecta a una red con un sistema de toma a tierra. El fabricante declina cualquier responsabilidad por daños ocasionados por la ausencia o defectos del sistema de protección de la instalación (por ejemplo, una descarga eléctrica).
- **ATENCIÓN!** Cuando se retire la clavija del cable de conexión a la red, la instalación y conexión del aparato las debe llevar a cabo personal especializado. Encargue estos trabajos a un electricista que conozca y cumpla los reglamentos vigentes de seguridad. El fabricante declina cualquier responsabilidad por daños ocasionados por fallos de montaje o conexión del aparato.

1.4. Limpieza

- No utilice un limpiador a vapor para limpiar el aparato.
- **No utilice limpiadores abrasivos ásperos ni rascadores de metal afilado para limpiar la puerta de cristal si no quiere arañar su superficie, lo que podría hacer que el cristal se hiciese añicos.**
- No utilice un limpiador de vapor o de alta presión. El vapor puede alcanzar partes con tensión y provocar un cortocircuito. Además, la presión del vapor puede originar daños permanentes en superficies y componentes a largo plazo.

1.5. Reparación

- Antes de realizar tareas de mantenimiento, corte la corriente eléctrica.
- Si el cable eléctrico sufre algún daño, el fabricante, su servicio técnico autorizado o un profesional tendrán que cambiarlo para evitar riesgos.
- **ATENCIÓN!** El aparato debe estar desconectado de la red eléctrica durante la realización de cualquier tipo de trabajo de instalación y reparación. El aparato está desconectado de la red solo cuando se cumple una de las siguientes condiciones:
 - Los fusibles de la acometida de la casa están desconectados.
 - El cable de conexión está desconectado de la red eléctrica. En aparatos con clavija de conexión, tire

siempre de la clavija y nunca del cable para separar el aparato de la red.

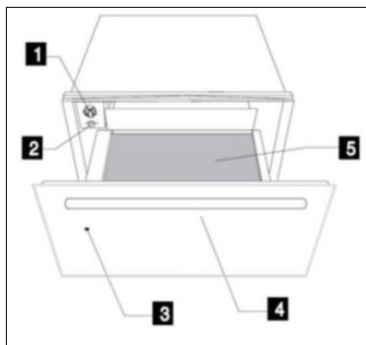
- **ATENCIÓN!** Todos los trabajos de instalación, mantenimiento y reparación los debe llevar a cabo únicamente personal autorizado por el fabricante. Trabajos de instalación y mantenimiento que se realizan de forma inapropiada pueden causar peligros para el usuario de los cuales el fabricante no se responsabiliza.
- **ATENCIÓN!** Únicamente el personal autorizado por el fabricante debe efectuar reparaciones durante el período de garantía. De lo contrario, cualquier daño causado por la reparación en cuestión quedará excluido de la cobertura de la garantía.

2. DESCRIPCIÓN DEL APARATO

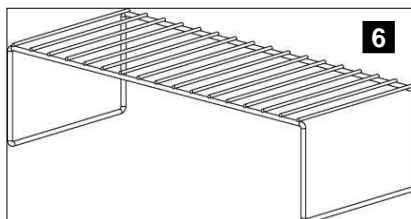
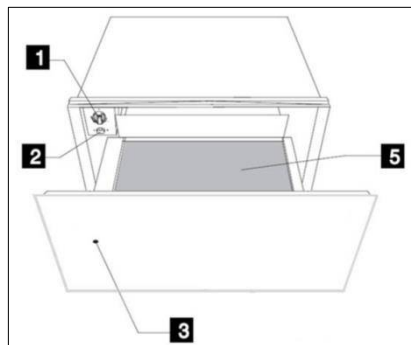
2.1. Componentes principales

- | | |
|------------------------------------------------|---------------------------------------|
| 1 Selector de funciones | 4 Tirador |
| 2 Interruptor de conexión y desconexión | 5 Recubrimiento antideslizante |
| 3 Luz de control | 6 Rejilla del cajón * |

KD91403 / KD92903 / KD92923



KD91404



* Rejilla del cajón solo disponible con el modelo KD92903E/KD92923E

2.2. Principio de funcionamiento

Este aparato dispone de un sistema de aire caliente. Un ventilador distribuye de **forma óptima en el cajón el calor** producido por el calentador.

El termostato permite determinar y supervisar la temperatura deseada de la vajilla.

Gracias a la circulación del aire, la vajilla se calienta **de forma rápida y uniforme**. Una rejilla protectora impide un contacto con el calentador y el ventilador.

El fondo del cajón para la vajilla está provisto de un recubrimiento antideslizante que impide que la vajilla se mueva al abrir y cerrar el cajón.

3. MANEJO

3.1. Antes del primer uso

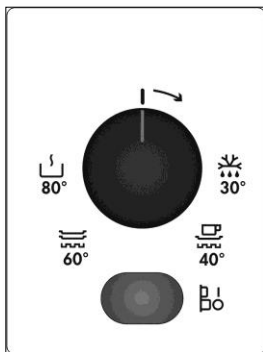
Antes del primer uso Limpie su aparato con un paño mojado y seque el mismo a continuación siguiendo las instrucciones del apartado "Limpieza y cuidado".

Caliente el cajón vacío durante por lo menos dos horas. Gire para este fin el mando del termostato a la temperatura máxima (véase el apartado "Selección de la temperatura").

Garantice durante este proceso una buena ventilación de la cocina.

Los componentes están tratados con un agente de conservación. Por lo tanto se producen temporalmente olores durante el calentamiento. Este olor y el vapor eventualmente producido desaparecen después de poco tiempo y no son señal de una conexión errónea o de un defecto del aparato.

3.2. Elementos de mando



Los elementos de mando son el regulador de función y el interruptor de conexión y desconexión. El panel de mando solo es visible cuando el cajón está abierto.

3.3. Principios de manejo

Para el uso del cajón calentaplatos, proceda como se indica a continuación:

- Coloque la vajilla en el cajón.
- Gire el botón del termostato a la función deseada.
- Conecte el aparato pulsando el interruptor. La iluminación del interruptor se enciende.
- Cierre el cajón.

Tenga en cuenta que el cajón puede abrirse de nuevo al cerrarlo con demasiado impulso. Antes de extraer la vajilla caliente, debe desconectar el aparato pulsando el interruptor de nuevo.





3.4. Selección de la función

El botón giratorio del termostato permite un ajuste continuo de la temperatura entre aproximadamente 30 °C y 80 °C.

Gire el regulador solo hacia la izquierda hasta la posición «0» o hasta el tope de la derecha; en caso contrario, se puede estropear el aparato.

La calefacción se desconecta una vez se alcanza la temperatura seleccionada. La calefacción se enciende de nuevo cuando la temperatura es inferior al valor seleccionado.

En la escala de temperatura, se indican valores absolutos en °C, y se incluyen símbolos que representan la temperatura óptima para cada tipo de vajilla:

Símbolo	°C	Función
	30°C	Descongelación
	40°C	Calentamiento de masa Calentamiento de tazas y vasos
	60°C	Calentamiento de platos Calentamiento de alimentos
	80°C	Calentamiento de alimentos Cocción a baja temperatura (sólo está disponible con el modelo KD92903E)

3.5. Tiempo de calentamiento

En el tiempo de calentamiento influyen varios factores:

- Material y grosor de la vajilla.
- Cantidad cargada en el aparato.
- **Disposición de la vajilla en el interior del aparato.**
- Temperatura seleccionada.

Por lo tanto, no se pueden indicar valores absolutos.

A medida que utilice el calentaplatos, **descubrirá la configuración idónea para su vajilla.**

3.6. Sugerencias para las funciones de Calentamiento de alimentos:

Pre caliente el cajón durante 15 minutos para garantizar que el interior tiene la temperatura adecuada.

3.7. Temperatura de cocción baja (sólo está disponible con el modelo KD92903E)

Con la temperatura baja, se puede preparar carne durante un período de

De forma orientativa, pueden mencionarse los siguientes valores para conseguir un calentamiento uniforme en

la posición  :

Carga	Tiempo (min)
Vajilla para 6 personas	30 – 35
Vajilla para 12 personas	40 – 45

cocción más largo. El tiempo de cocción depende del tamaño de la pieza de carne. Utilice platos de cristal, porcelana o ceramic.

3.8. Preparación:

- Pre caliente el dispositivo con los platos **a 80°C durante 10 minutos.**
- Dore a fuego vivo la carne en una **sartén con aceite e introdúzcala en el horno en los platos precalentados. Mantenga la temperatura a 80°C.**

Tabla: temperatura de cocción baja (valores de referencia)

Pieza	Cantidad	Asar en el plato de cocción	Tiempo de cocción
Tenera			
Muy poco hecho	1kg	2 min por cada lado	1 h
Poco hecho	1kg	3 min por cada lado	1 ¼ h
Medio	1kg	3 min por cada lado	1 ¾ h
Muy hecho	1kg	3 min por cada lado	2 ¼ - 2 ½ h
Asado de una pieza	1kg	3 min por cada lado	Poco hecho: 3 h Medio: 4 ½ h
Novillo			
Filete, entero	1kg	2 min por cada lado	1 ¾ - 2 h
Solomillo, de una pieza	1kg	3 min por cada uno de los 4 lados	2 ¼ - 2 ½ h
Asado	1kg	3 min por cada lado	2 - 2 ½ h
Asado, delantero	1kg	3 min por cada lado	2 ½ h
Cerdo			
Filete, entero	500-600 g	2 min por cada lado	1 ½ h
Lomo	600 -1000g	todo 10-15 min aproximadamente	2 - 3 h
Cordero			
Pierna con silla	2kg	4 min por cada lado	3 - 4 h
Filete de pierna	2kg	2 min por cada lado	¾ - 1 h
Filete	400g	2 min por cada lado	1 - 1 ¼ h

1) Si desea mantener la carne cocinada caliente, baje la temperatura a 60°C.

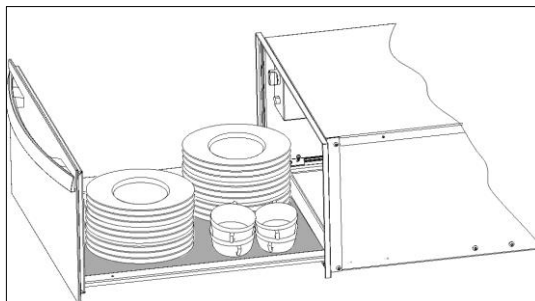
Le recomendamos que no utilice la función de calentar durante más de una hora.

4. CAPACIDAD DE CARGA

La capacidad de carga depende del tamaño de las piezas que se introduzcan en el cajón:

KD 91403 / KD 91404	KD 92903 / KD 92923
Servicios para 6 personas	Servicios para 12 personas
6 platos llanos de 24 cm	12 platos llanos de 24 cm
6 platos hondos de 10 cm	12 platos hondos de 10 cm
1 fuente de 19 cm	1 fuente de 19 cm
1 fuente de 17 cm	1 fuente de 17 cm
1 fuente de 32 cm	2 fuente de 32 cm
o	o
20 platos de 28 cm Ø	40 platos de 28 cm Ø

KD 91403 / KD 91404	KD 92903 / KD 92923
o	o
80 tazas de café	160 tazas de café
o	o
40 tazas de té	80 tazas de té
o	o
...	...



5. LIMPIEZA Y CUIDADO

La limpieza es el único trabajo de cuidado y mantenimiento normalmente requerido.

Atención. Antes de iniciar los trabajos de limpieza, desconecte el aparato de la red. Retire la clavija del enchufe o desconecte el circuito eléctrico que alimenta el aparato.

No utilice agentes de limpieza agresivos o abrasivos, bayetas abrasivas u objetos puntiagudos que pueden dañar las superficies.

5.1. Lado frontal y panel de mando

Es suficiente limpiar el aparato con un paño húmedo. Cuando el aparato está muy sucio, añada unas gotas de detergente al agua de lavado. A continuación, pase un trapo seco por el aparato.

Para cajones calentador con frontal de acero inoxidable pueden emplearse agentes de limpieza especiales para superficies de acero inoxidable. Estos agentes impiden que las superficies se ensucien de nuevo rápidamente. Aplique con un paño suave uniformemente una

pequeña cantidad del agente en toda la superficie.

Para cajones calentador con frontal de aluminio utilice un agente limpiacristales suave y un paño suave que no se deshilache. Pase el paño en dirección horizontal por la superficie sin ejercer presión.

5.2. Espacio interior

Limpie las paredes interiores después de cada uso con un paño húmedo. Cuando el aparato esté muy sucio, añada unas gotas de detergente al agua de lavado.

A continuación, pase un trapo seco por la superficie.

Impida la penetración de agua en los orificios de ventilación.

Use el cajón calentaplatos sólo cuando esté completamente seco.

5.3. Recubrimiento antideslizante

Es posible retirar el recubrimiento antideslizante para limpiar el fondo del cajón.

Se recomienda limpiar el recubrimiento a mano con agua templada y un detergente suave. Seque el recubrimiento a

continuación cuidadosamente. Coloque el recubrimiento en el cajón sólo cuando esté completamente seco.

6. ¿QUÉ HACER CUANDO EL APARATO NO FUNCIONA?

⚠ ATENCIÓN. Únicamente personal especializado está autorizado para llevar a cabo trabajos de reparación del aparato. Cualquier intervención por parte de personas no autorizadas por el fabricante es peligrosa.

Los siguientes problemas pueden solucionarse sin dirigirse al servicio de atención al cliente:

- La vajilla no se calienta lo suficiente. Compruebe si:
 - El aparato está conectado.
 - Se ha ajustado la temperatura apropiada.
 - Las aberturas de salida de aire están tapadas con platos o cuencos grandes.
 - Ha calentado la vajilla durante un tiempo suficiente.
 - The crockery was left to heat up for sufficient time.
- En el tiempo de calentamiento influyen varios factores como por ejemplo:

- Material y grosor de la vajilla
- Cantidad cargada en el aparato
- Disposición de la vajilla en el interior del aparato
- Temperatura seleccionada
- La vajilla no se calienta. Compruebe si:
 - Puede oír el ruido del ventilador.
 - Cuando el ventilador funciona, el elemento de calefacción está defectuoso. Cuando el ventilador no funciona, éste está defectuoso.
 - El fusible de la red eléctrica está conectado.
- La vajilla se calienta en exceso.
 - El regulador de temperatura está defectuoso.
- El interruptor de conexión y desconexión no se enciende al conectar el aparato.
 - El indicador luminoso del interruptor está defectuoso.

7. INFORMACIONES ACERCA DE LA PROTECCIÓN DEL MEDIO AMBIENTE



Recicle los materiales con el símbolo. Coloque el material de embalaje en los contenedores adecuados para su reciclaje. Ayude a proteger el medio ambiente y la salud pública, así como a reciclar residuos de aparatos eléctricos y electrónicos.



No deseche los aparatos marcados con el símbolo junto con los residuos domésticos. Lleve el producto a su centro de reciclaje local o póngase en contacto con su oficina municipal.

8. INSTRUCCIONES DE INSTALACIÓN

8.1. Antes de iniciar la instalación

Verifique que la tensión de alimentación indicada en la placa de características coincida con la tensión de la red.

Abra el cajón y retire todos los accesorios y el material de embalaje.

⚠ Atención.

El lado delantero del cajón puede estar provisto de una **lámina protectora**. Retire esta lámina cuidadosamente desde el lado inferior antes de encender el horno por primera vez.

Verifique que el cajón calentaplatos no esté dañado. Compruebe si el cajón cierra correctamente. Informe al servicio de atención al cliente en el caso de haber detectado daños

Observe que la toma de corriente sea **fácilmente accesible después del montaje** del aparato.

Está permitido montar el calentaplatos únicamente en combinación con los aparatos indicados por el fabricante. En una combinación con otros aparatos se cancela el derecho de garantía, ya que no se cumplen las condiciones de un servicio correcto.

8.2. Montaje

Para el montaje del calentaplatos y del aparato combinado debe existir una balda fija con una capacidad portante suficiente para ambos aparatos.

El aparato combinado se coloca sin otra balda directamente sobre el calentaplatos montado.

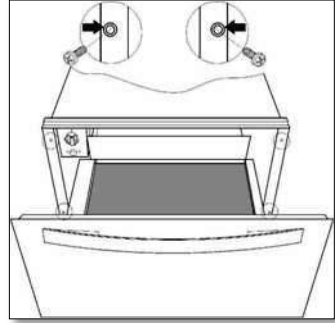
En el montaje del aparato combinado debe observar siempre las instrucciones de uso y montaje.

Encontrará las dimensiones importantes para el montaje indicadas en "mm" en las **últimas páginas**. Proceda como se indica a continuación:

1. **Introduzca el aparato hasta el listón de salida de vahos** en el armario y alinee el aparato correctamente.

2. **Preste atención de alinear la carcasa** del aparato de forma rectangular.

3. **Abra el cajón y fije el aparato** en las paredes laterales del armario mediante los dos tornillos suministrados.



8.3. Conexión eléctrica

El cajón calentaplatos está provisto de un cable de conexión a la red con una clavija para corriente monofásica.

Se recomienda conectar el aparato a la red eléctrica por medio de una toma de corriente.

De esta manera se facilita el servicio de atención al cliente.

En el caso de una conexión permanente, la conexión del aparato o del horno a la debe llevar a cabo un técnico especializado.

En este caso debe realizarse la conexión con un interruptor omnipolar con una distancia mínima entre los contactos de 3 mm.

Si se utiliza un enchufe para la conexión eléctrica, deberá ser accesible tras la instalación.

⚠ ATENCIÓN: EL CAJÓN CALIENTAPLATOS SE CONECTARÁ OBLIGATORIAMENTE A TIERRA. El fabricante y el vendedor declinan cualquier responsabilidad por posibles daños que puedan sufrir personas, animales o cosas cuando no se han observado las presentes instrucciones de instalación.

INDICE

1. INFORMAÇÕES DE SEGURANÇA	67
2. DESCRIÇÃO DO APARELHO	71
3. UTILIZAÇÃO	72
4. CAPACIDADE DE CARGA	75
5. LIMPEZA E MANUTENÇÃO	75
6. O QUE FAZER EM CASO DE FALHA DE FUNCIONAMENTO?	76
7. PROTECÇÃO DO MEIO-AMBIENTE	77
8. INSTRUÇÕES DE INSTALAÇÃO	77
9. INSTALAÇÃO	79

ESTAMOS A PENSAR EM SI

Obrigado por ter adquirido um aparelho AEG. Escolheu um produto que traz com ele **décadas de experiência profissional e inovação**. Engenhoso e elegante, foi concebido a pensar em si. Assim, quando o utilizar, terá a tranquilidade de saber que terá sempre óptimos resultados. Bem-vindo(a) à AEG.

Visite o nosso website para:



Resolver problemas e obter conselhos de utilização, catálogos e informações sobre serviços:
www.aeg.com



Registar o seu produto para beneficiar de um serviço melhor:
www.aeg.com/productregistration



Adquirir acessórios, consumíveis e peças de substituição originais para o seu aparelho:
www.aeg.com/shop

APOIO AO CLIENTE E ASSISTÊNCIA

Recomendamos a utilização de **peças de substituição originais**.

Quando contactar a Assistência, certifique-se de que tem os seguintes dados disponíveis.

A informação encontra-se na placa de características: Modelo, PNC, Número de Série.

 Aviso / Cuidado - Informações de segurança.

 Informações gerais e sugestões.

 Informações ambientais.

Sujeito a alterações sem aviso prévio.

1. ⚠️ INFORMAÇÕES DE SEGURANÇA

Leia atentamente as instruções fornecidas antes de instalar e utilizar o aparelho. O fabricante não é responsável por lesões ou danos resultantes da instalação e utilização incorrectas. Guarde sempre as instruções junto do aparelho para futuras consultas. Este aparelho cumpre as normas de segurança em vigor. Uma utilização inadequada pode constituir perigo para o utilizador.

1.1. Segurança de crianças e pessoas vulneráveis

⚠️ ADVERTÊNCIA

Risco de asfixia, ferimentos ou incapacidade permanente

- **Este aparelho pode ser utilizado por crianças com 8 anos ou mais e por pessoas com capacidades físicas, sensoriais ou mentais reduzidas ou com pouca experiência e conhecimento se forem supervisionadas por um adulto que seja responsável pela sua segurança.**
- **Não permita que as crianças brinquem com o aparelho. É necessário vigiar as crianças com menos de 3 anos quando se encontrarem perto do aparelho.**
- **Mantenha todos os materiais de embalagem fora do alcance das crianças.**
- **Mantenha as crianças e os animais domésticos afastados do aparelho quando este estiver a funcionar ou a arrefecer. As partes acessíveis estão quentes.**
- **A limpeza e a manutenção básica não devem ser efectuadas por crianças sem supervisão.**
- **Mantenha o aparelho e o cabo de alimentação fora do alcance de crianças com idade inferior a 8 anos.**

1.2. Segurança geral

- **ADVERTÊNCIA!** O interior do aparelho fica quente durante o funcionamento. **Não toque nos elementos de aquecimento do aparelho.** Utilize sempre luvas de forno para retirar e colocar acessórios ou recipientes de ir ao forno.

- As superfícies acessíveis podem ficar quentes quando o aparelho está a funcionar.
- **ATENÇÃO!** Utilize o aparelho só depois de estar encastrado. Só desta forma é assegurado que não há acesso a componentes eléctricos.
- **ATENÇÃO!** Nunca deve abrir a carcaça do aparelho. Eventuais contactos com peças condutoras eléctricas ou alterações aos componentes eléctricos ou mecânicos podem constituir perigo para a segurança do utilizador e prejudicar o correcto funcionamento do aparelho.
- Dependendo da temperatura seleccionada e do tempo de funcionamento, podem ser atingidos **80 °C** de temperatura no interior do aparelho. **Proteja as mãos, utilizando luvas de protecção ou pegas para retirar a louça do interior do aquecedor de louça.**
- Não se sente ou pendure na gaveta. As calhas telescópicas ficam danificadas. A capacidade de carga máxima da gaveta é de 25 kg.
- Não guarde recipientes sintéticos ou objectos de inflamação fácil no interior do aquecedor de louça. Ao ligar o aparelho esses recipientes e objectos podem derreter ou incendiar-se. **Perigo de incêndio.**
- **Não utilize o aparelho como aquecedor de ambiente. As temperaturas elevadas que são atingidas podem incendiar objectos de inflamação fácil que estejam perto do aparelho.**
- Ao deixar definitivamente de utilizar o aparelho no fim de vida útil, **desligue-o da corrente e inutilize o cabo eléctrico para que não constitua perigo, se for utilizado em brincadeiras, por crianças.**

1.3. Instalação

- Durante a instalação siga as instruções fornecidas separadamente.
- Somente pessoal qualificado pode instalar a aparelho e substituir o cabo.
- A ligação eléctrica deve ser feita através de um interruptor de corte omnipolar compatível com a intensidade que deve suportar e que tenha uma separação mínima de 3mm entre contactos, que

assegurará a desconexão em caso de emergência ou durante a limpeza da gaveta de aquecimento.

- **ATENÇÃO!** Antes de ligar o aparelho compare os dados de ligação (tensão e frequência) indicados na placa de características com os da rede elétrica. Estes dados devem corresponder entre si para evitar anomalias. Em caso de dúvida contacte um electricista.
- **ATENÇÃO!** Caso a ficha de ligação do cabo elétrico seja removida, o aparelho deve ser instalado e ligado por um técnico. Contacte um electricista credenciado que conheça e respeite as normas de segurança existentes. O fabricante não pode ser responsabilizado por danos provenientes de erro de montagem ou de ligação.
- **ATENÇÃO!** A segurança elétrica do aparelho: só está garantida se este for ligado à terra. O fabricante não pode ser responsabilizado por danos provenientes de falta ou defeito do sistema de proteção da instalação (por ex. choque elétrico).

1.4. Limpeza

- Não utilize uma máquina de limpar a vapor para limpar o aparelho.
- Não utilize produtos de limpeza abrasivos ou raspadores metálicos afiados para limpar a porta de vidro porque podem riscar a superfície e partir o vidro.
- Não utilize aparelhos de limpeza a alta pressão ou a jacto de vapor. O vapor pode atingir componentes elétricos e provocar curto-circuito. A pressão do vapor também pode provocar danos a longo prazo na superfície do aparelho e nos componentes.

1.5. Reparação

- Desligue a alimentação eléctrica antes de qualquer manutenção.
- Se o cabo de alimentação estiver danificado, deve ser substituído pelo fabricante, por um agente de assistência autorizado ou por uma pessoa igualmente qualificada, para evitar perigos.
- **ATENÇÃO!** O aparelho deve ser desligado da corrente elétrica quando forem efetuados trabalhos de

instalação e de reparação. Para desligar o aparelho da corrente deve verificar-se qualquer uma das seguintes condições:

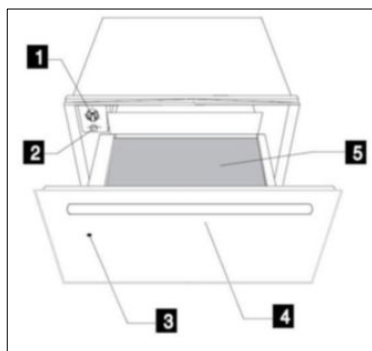
- Os fusíveis/disjuntores do quadro eléctrico estejam desligados.
- A ficha esteja desligada da tomada. Para desligar a ficha da tomada não puxe pelo cabo eléctrico mas sim pela ficha.
- **ATENÇÃO!** As reparações e manutenções, especialmente em peças sob tensão, só podem ser efetuadas por técnicos autorizados pelo fabricante. O fabricante e os revendedores declinam qualquer responsabilidade por eventuais danos causados a pessoas, animais ou bens resultantes de reparações e manutenções efetuadas por pessoas não autorizadas.
- **ATENÇÃO!** Reparções durante o período de garantia só devem ser executadas por técnicos autorizados pelo fabricante. Caso contrário todos os danos provenientes dessa reparação ficam excluídos da garantia.

2. DESCRIÇÃO DO APARELHO

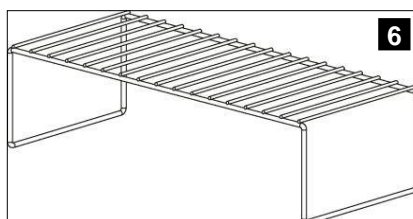
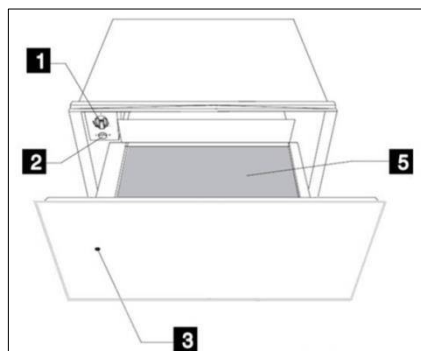
2.1. Componentes principais

- | | |
|-------------------------------------------|-------------------------------------------|
| 1 Termóstato | 4 Puxador |
| 2 Botão ligar/desligar (Iluminado) | 5 Revestimento antideslizante mat |
| 3 Luz de controlo | 6 Grelha da gaveta de aquecimento* |

KD91403 / KD92903 / KD92923



KD91404



* Grelha da gaveta de aquecimento **apenas disponível com o modelo KD92903E/KD92923E**

2.1. Princípio de funcionamento

Este aparelho está equipado com um sistema de circulação de ar quente. Um ventilador distribui o calor gerado por uma resistência eléctrica pelo interior do aparelho.

O termóstato permite definir e controlar a temperatura desejada para a louça. Através da circulação de ar quente gerada, a louça aquece rápida e uniformemente.

Tanto a resistência como o ventilador estão protegidos por uma grelha metálica.

A base da gaveta está equipada com um revestimento anti deslizante, que impede a louça de deslizar ao abrir e fechar a gaveta.

3. UTILIZAÇÃO

3.1. Antes da primeira utilização

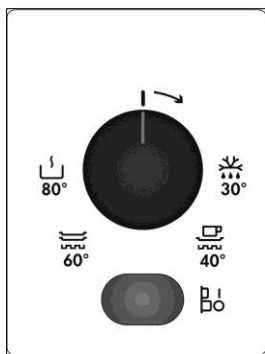
Antes de utilizar o aparelho pela primeira vez deve limpar o interior e o exterior, seguindo as indicações relativas à limpeza constantes no capítulo "Limpeza e Manutenção".

Em seguida aqueça o aquecedor de louça durante pelo menos 2 horas. Para isso rode o selector de temperatura para a posição máxima (consulte o capítulo "Seleccionar a temperatura").

Providencie um bom arejamento da cozinha.

As peças do aparelho estão protegidas por um produto especial. Por este motivo, durante o primeiro aquecimento haverá formação de cheiro. Tanto o cheiro como a eventual formação de fumo desaparecem ao fim de pouco tempo e não significam ligação errada ou anomalia no aparelho.

3.2. Painel de comandos



No painel de comandos existe o termóstato e o Interruptor de ligar/desligar. O painel de comandos só fica visível quando a gaveta estiver aberta.

3.3. Princípio de utilização

Para utilizar o aquecedor de louça proceda do seguinte modo:

- Coloque a louça na gaveta.
- Selecciona a função, rodando o Termóstato para a posição desejada.
- Ligue o aparelho, pressionando o Interruptor, que fica iluminado.
- Feche a gaveta.

Tenha atenção que a gaveta pode abrir-se se for fechada com força excessiva.

Antes de retirar a louça quente deve desligar o aquecedor de louça, pressionando novamente o Interruptor.





3.4. Seleccionar a função

Rodando o Termóstato pode seleccionar temperaturas entre os 30 e os 80 °C.

Não force o botão do Termóstato para a esquerda da posição "0" ou para a direita da posição máxima pois pode causar danos.

Logo que a temperatura seleccionada seja alcançada, o aquecimento desliga. Quando a temperatura descer para um valor inferior ao seleccionado, o aquecimento volta a ligar.

A escala de temperatura é marcada com temperaturas absolutas em °C e também tem símbolos que correspondem às temperaturas óptimas para grupos de louça:

Símbolo	°C	Função
	30°C	Descongelação
	40°C	Levedar massa Aquecer copos e taças
	60°C	Aquecer louça Manter a comida quente
	80°C	Aquecer alimentos Cozinhar alimentos a baixas temperaturas (apenas disponível com o modelo KD92903E)

3.5. Tempos de aquecimento

Diversos factores influenciam o tempo de aquecimento:

- Material e espessura da louça
- Quantidade de carga
- Arrumação da louça
- Temperatura regulada

Assim não é possível fornecer dados exactos relativamente ao tempo de aquecimento.

3.6. Sugestão para as funções Aquecer alimentos e Cozinhar alimentos

Faça um pré-aquecimento de aproximadamente 15 minutos para garantir uma temperatura adequada.

3.7. Cozinhar a baixa temperatura (apenas disponível nos modelos KD92903E/KD92923E)

Com esta função pode cozinhar carne a uma temperatura de 80°C durante um período de tempo mais extenso.

A título indicativo são fornecidos os seguintes tempos para o Termóstato

regulado na posição  e para obter o aquecimento uniforme da louça:

Carga	Tempo (min)
Louça para 6 pessoas	30 – 35
Louça para 12 pessoas	40 – 45

O tempo de cozinhado é definido segundo o peso da carne.

Utilize pratos de vidro, de porcelana ou em cereâmica.

3.8. Preparação:

- Inicie o pré-aquecimento com os pratos no interior do aparelho, a 80°C durante 10 minutos.
- Cozer a carne numa frigideira com um pouco de gordura alimentar. A seguir, dispor no prato, previamente aquecido, e colocar na gaveta. A temperatura definida é sempre de 80°C.

Tabela: Cozinhar a baixa temperatura (referências)

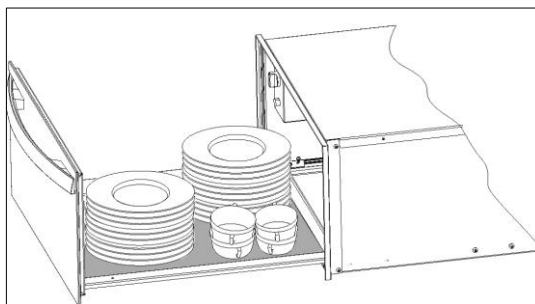
Utilização	Peso	Indicações para o cozinhado	Tempo de cozinhado
Carne de Vaca			
Muito mal passado	1kg	2 minutos de cada lado	1 hora
Mal passado	1kg	3 minutos de cada lado	1 ¼ horas
No ponto	1kg	3 minutos de cada lado	1 ¾ horas
Bem passado	1kg	3 minutos de cada lado	2 ¼ a 2 ½ horas
Rosbif (carne assada)	1kg	3 minutos de cada lado	3 h - mal passado 4 ½ horas - rosé
Vitela			
Filete	1kg	2 minutos de cada lado	1 ¾ - 2 horas
Lombo	1kg	3 minutos de cada lado.	2 ¼ - 2 ½ horas
Pernil	1kg	3 minutos de cada lado	2 – 2 ½ horas
Pernil assado	1kg	3 minutos de cada lado	2 ½ horas
Porco			
Filete (escalope)	500-600 g	2 minutos de cada lado	1 ½ horas
Lombo de porco	600 -1000g	10 à 15 minutos a volta	2 - 3 horas
Borrego			
Perna	2kg	4 minutos de cada lado.	3 - 4 horas
Bife	2kg	2 minutos de cada lado	¾ - 1 hora
Filete	400g	2 minutos de cada lado	1 – 1 ¼ horas

1) Se desejar manter carne já cozinhada quente, baixe a temperatura para 60°C. Recomendamos que não utilize a função de aquecimento por mais de 1 hora.

4. CAPACIDADE DE CARGA

A capacidade de carga depende do tamanho da louça:

KD 91403 / KD 91404	KD 92903 / KD 92923
Louça para 6 pessoas	Louça para 12 pessoas
6 x 24cm Pratos	12 x 24cm Pratos
6 x 10cm Taças de sopa	12 x 10cm Taças de sopa
1 x 19cm Prato de servir	1 x 19cm Prato de servir
1 x 17cm Prato de servir	1 x 17cm Prato de servir
1 x 32cm Pratos	2 x 32cm Pratos
ou	ou
20 pratos Ø 28 cm	40 pratos Ø 28 cm
ou	ou
80 chávenas de expresso	160 chávenas de expresso
ou	ou
40 chávenas de chá	80 chávenas de chá
ou	ou
...	...



5. LIMPEZA E MANUTENÇÃO

A limpeza é a única manutenção normalmente requerida.

⚠️ATENÇÃO! A limpeza deve ser efectuada com o aquecedor de louça desligado da alimentação eléctrica. Retire a ficha da tomada ou desligue o circuito de alimentação do aquecedor de louça. Não utilize produtos de limpeza agressivos ou abrasivos, esfregões que risquem ou objectos pontiagudos, pois podem aparecer manchas. Não utilize aparelhos de limpeza a alta pressão ou a jacto de vapor.

5.1. Frente do aparelho e painel de comandos

Basta limpar o aquecedor de louça com um pano húmido. Se estiver muito sujo, adicione algumas gotas de detergente da loiça à água da lavagem.

Depois limpe as superfícies com um pano seco.

Para os aquecedores de louça com frente em aço inoxidável podem ser utilizados produtos especiais para tratamento de superfícies em aço inoxidável. Estes

produtos evitam que as superfícies voltem a ficar sujas rapidamente. Aplique uma fina camada do produto sobre toda a superfície com um pano suave.

Nos aquecedores de louça com frente em alumínio use um produto limpa-vidros suave e um pano macio que não liberte fios. Limpe horizontalmente sem exercer pressão sobre a superfície, uma vez que o alumínio é sensível a riscos e cortes.

5.2. Interior do aquecedor de louça

Limpe regularmente o interior do aquecedor de louça com um pano húmido. Se estiver muito sujo, adicione algumas gotas de detergente da loiça à água da lavagem.

Depois limpe as superfícies com um pano seco.

Evite a entrada de água através dos orifícios de circulação de ar.

Use novamente o aquecedor de louça apenas quando estiver devidamente seco.

5.3. Revestimento anti-deslizante


O revestimento anti deslizante pode ser retirado para poder limpar facilmente a gaveta.

O revestimento pode ser lavado manualmente com água quente e umas gotas de detergente da loiça.

No final seque bem.

Só deve voltar a colocar o revestimento anti deslizante quando a gaveta estiver devidamente seca.

6. O QUE FAZER EM CASO DE FALHA DE FUNCIONAMENTO?

 **ATENÇÃO!** Qualquer tipo de reparação só pode ser executada por técnicos especializados. Qualquer reparação efectuada por pessoas não autorizadas pelo fabricante é perigosa.

Antes de contactar a Assistência Técnica verifique as **questões seguintes**:

- **A louça não aquece suficientemente?**
Verificar se:
 - Se o aparelho está ligado.
 - Se seleccionou a temperatura adequada.
 - Se os orifícios de circulação de ar estão tapados pela louça.
 - Se a louça aqueceu durante um tempo suficiente.

- O tempo de aquecimento depende de **vários factores, como por exemplo**:
 - Matéria e espessura da louça.
 - Quantidade de louça.
 - Arrumação e disposição da louça.
- **A louça não aquece? Verifique se**:
 - Está a ouvir um ruído do ventilador. Se o ventilador está a funcionar então a resistência estará avariada; se o ventilador não está a funcionar então o ventilador estará avariado.
 - Os fusíveis/disjuntores do quadro eléctrico fundiram/dispararam.
- **A louça aquece demasiado?**
 - O selector de temperatura está avariado.
- **O interruptor de ligar/desligar não acende?**
 - O piloto do interruptor está fundido.

7. PROTECÇÃO DO MEIO-AMBIENTE



Recicle os materiais que apresentem o símbolo. Coloque a embalagem nos contentores indicados para reciclagem.

Ajude a proteger o ambiente e a saúde pública através da reciclagem de aparelhos eléctricos e electrónicos.



■ Não elimine os aparelhos que tenham o símbolo juntamente com os resíduos domésticos. Coloque o produto num ponto de recolha para reciclagem local ou contacte as suas autoridades municipais.

8. INSTRUÇÕES DE INSTALAÇÃO

8.1. Antes da Instalação

Verifique que a tensão de alimentação indicada na placa de características corresponde à tensão da sua instalação.

Abra a gaveta e retire todos os **acessórios** e o material de embalagem

⚠ ATENÇÃO! A superfície frontal do aquecedor de louça pode estar envolvida numa **película de protecção**. Antes da primeira utilização, retire esta película cuidadosamente.

Certifique-se de que o aquecedor de louça **não está danificado**. Verifique se a gaveta abre e fecha correctamente. Em caso de danos contacte o Serviço de Assistência Técnica

⚠ ATENÇÃO!: A ficha deve ficar **facilmente acessível após a instalação do aquecedor de louça**.

O aquecedor de louça só pode ser encastrado em combinação com os aparelhos indicados pelo fabricante. **Se for montado em combinação com outros aparelhos fica excluído o direito à garantia porque não é possível garantir um funcionamento correcto.**

8.2. Instalação

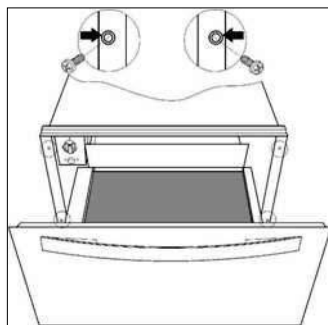
Para encastrar o aquecedor de louça em combinação com outro aparelho é necessário que exista uma prateleira intermédia fixa, que suporte o peso dos dois aparelhos.

O aparelho que combina com o aquecedor de louça será colocado directamente sobre o aquecedor de louça sem que seja necessário existir uma prateleira separadora.

Para encastrar o aparelho que combina com o aquecedor de louça siga as indicações mencionadas no respectivo livro de instruções e montagem.

As dimensões relevantes para a instalação são indicadas em mm nas **figuras apresentadas nas últimas páginas**. Proceda do seguinte modo:

1. Coloque o aquecedor de louça sobre a prateleira e deslize-o para o interior do nicho de modo fique centrado e totalmente encostado à **frente do móvel**.
2. Certifique-se de que a carcaça do aquecedor de louça está bem nivelada e assente sobre a prateleira.
3. Abra a gaveta e fixe o aquecedor de louça aos laterais do móvel utilizando os dois parafusos fornecidos.



8.3. Ligação eléctrica

A instalação eléctrica tem de ser executada por um electricista qualificado de acordo com a legislação em vigor.

Antes de conectar a gaveta de aquecimento à corrente, verifique se a instalação eléctrica é compatível com as especificações constantes na placa de características do elemento de calor.

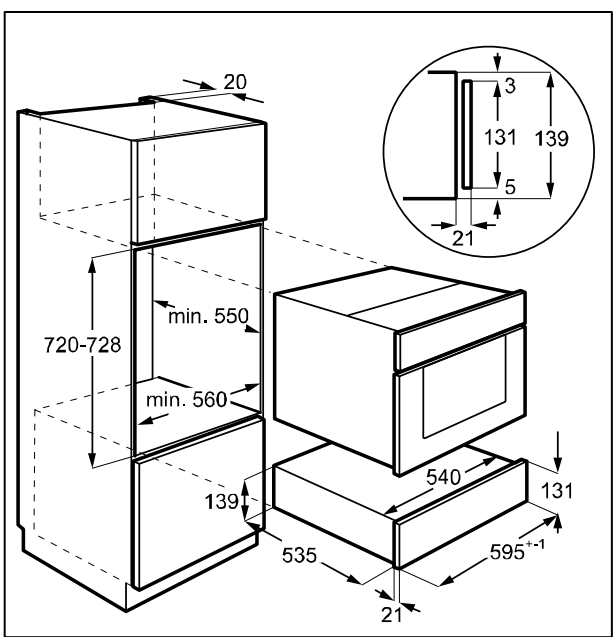
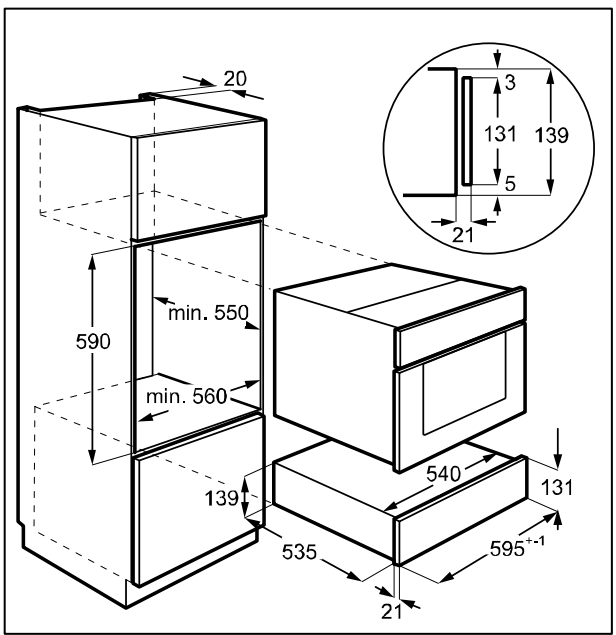
A ligação eléctrica deve ser feita através de um interruptor de corte omipolar compatível com a intensidade que deve suportar e que tenha uma separação mínima de 3mm entre contactos, que assegurará a desconexão em caso de emergência ou durante a limpeza da

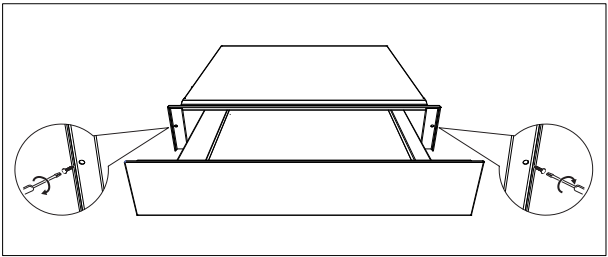
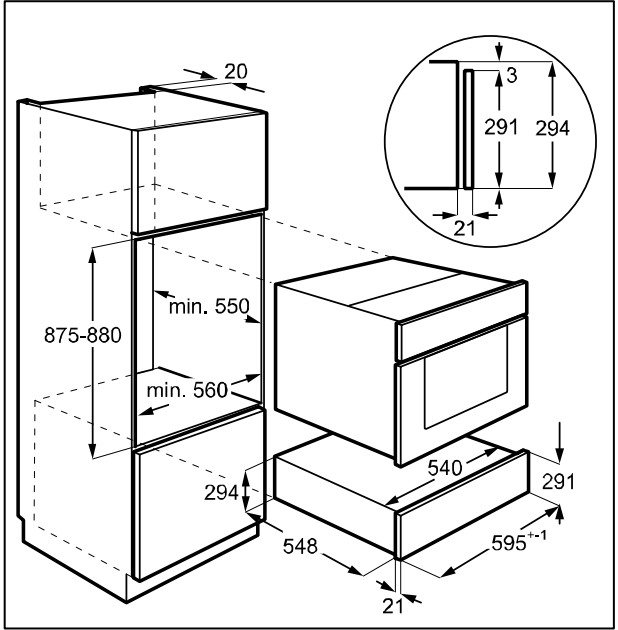
gaveta de aquecimento. Se utilizar uma ficha para a ligação eléctrica, esta tem de estar acessível após a instalação. A instalação tem de contemplar a correcta ligação à terra de acordo com as normas em vigor.

 **ATENÇÃO!** A GAVETA DE AQUECIMENTO TEM DE TER UMA **LIGAÇÃO À TERRA.**

O fabricante e os revendedores declinam qualquer responsabilidade por eventuais danos causados a pessoas, animais ou bens no caso de se verificar inobservância destas instruções de instalação.

INSTALLATION / EINBAU / L'INSTALLATION /
INSTALLATIE / INCASSO / MONTAJE / INSTALAÇÃO





www.aeg.com/shop



943306-0 - 202016



AEG