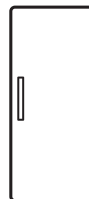


<b>EN</b>	<b>User Manual</b>	2
	Refrigerator	
<b>FR</b>	<b>Notice d'utilisation</b>	18
	Réfrigérateur	
<b>DE</b>	<b>Benutzerinformation</b>	36
	Kühlschrank	
<b>IT</b>	<b>Istruzioni per l'uso</b>	54
	Frigorifero	

S41540TSW2



## CONTENTS

1. SAFETY INFORMATION.....	3
2. SAFETY INSTRUCTIONS.....	4
3. OPERATION.....	5
4. FIRST USE.....	6
5. DAILY USE.....	6
6. HINTS AND TIPS.....	7
7. CARE AND CLEANING.....	9
8. TROUBLESHOOTING.....	10
9. INSTALLATION.....	12
10. NOISES.....	15
11. TECHNICAL INFORMATION.....	17

## FOR PERFECT RESULTS

Thank you for choosing this AEG product. We have created it to give you impeccable performance for many years, with innovative technologies that help make life simpler features you might not find on ordinary appliances. Please spend a few minutes reading to get the very best from it.

Visit our website for:



Get usage advice, brochures, trouble shooter, service information:  
**[www.aeg.com](http://www.aeg.com)**



Register your product for better service:  
**[www.registeraeg.com](http://www.registeraeg.com)**



Buy Accessories, Consumables and Original spare parts for your appliance:  
**[www.aeg.com/shop](http://www.aeg.com/shop)**

## CUSTOMER CARE AND SERVICE

Always use original spare parts.

When contacting our Authorised Service Centre, ensure that you have the following data available: Model, PNC, Serial Number.

The information can be found on the rating plate.



Warning / Caution-Safety information



General information and tips



Environmental information

Subject to change without notice.

# 1. ⚠ SAFETY INFORMATION

Before the installation and use of the appliance, carefully read the supplied instructions. The manufacturer is not responsible if an incorrect installation and use causes injuries and damages. Always keep the instructions with the appliance for future reference.

## 1.1 Children and vulnerable people safety

- This appliance can be used by children aged from 8 years and above and persons with reduced physical, sensory or mental capabilities or lack of experience and knowledge if they have been given supervision or instruction concerning use of the appliance in a safe way and understand the hazards involved.
- Do not let children play with the appliance.
- Cleaning and user maintenance shall not be made by children without supervision.
- Keep all packaging away from children.

## 1.2 General Safety

- This appliance is intended to be used in household and similar applications such as:
  - Farm houses; staff kitchen areas in shops, offices and other working environments
  - By clients in hotels, motels, bed and breakfast and other residential type environments
- Keep ventilation openings, in the appliance enclosure or in the built-in structure, clear of obstruction.
- Do not use mechanical devices or other means to accelerate the defrosting process, other than those recommended by the manufacturer.
- Do not damage the refrigerant circuit.
- Do not use electrical appliances inside the food storage compartments of the appliance, unless they are of the type recommended by the manufacturer.

- Do not use water spray and steam to clean the appliance.
- Clean the appliance with a moist soft cloth. Only use neutral detergents. Do not use abrasive products, abrasive cleaning pads, solvents or metal objects.
- Do not store explosive substances such as aerosol cans with a flammable propellant in this appliance.
- If the supply cord is damaged, it must be replaced by the manufacturer, its service agent or similarly qualified persons in order to avoid a hazard.

## 2. SAFETY INSTRUCTIONS

### 2.1 Installation



#### **WARNING!**

Only a qualified person must install this appliance.

- Remove all the packaging.
- Do not install or use a damaged appliance.
- Obey the installation instruction supplied with the appliance.
- Always be careful when you move the appliance because it is heavy. Always wear safety gloves.
- Make sure the air can circulate around the appliance.
- Wait at least 4 hours before connecting the appliance to the power supply. This is to allow the oil to flow back in the compressor.
- Do not install the appliance close to radiators or cookers, oven or hobs.
- The rear of the appliance must stand against the wall.
- Do not install the appliance where there is direct sunlight.
- Do not install this appliance in areas that are too humid or too colds, such as the construction appendices, garages or wine cellars.
- When you move the appliance, lift it by the front edge to avoid scratching the floor.

### 2.2 Electrical connection



#### **WARNING!**

Risk of fire and electrical shock.

- The appliance must be earthed.
- Make sure that the electrical information on the rating plate agrees with the power supply. If not contact an electrician.
- Always use a correctly installed shockproof socket.
- Do not use multi-plug adapters and extension cables.
- Make sure not to cause damage to the electrical components (e.g. mains plug, mains cable, compressor). Contact the Service or an electrician to change the electrical components.
- The mains cable must stay below the level of the mains plug.
- Connect the mains plug to the mains socket only at the end of the installation. Make sure that there is access to the mains plug after the installation.
- Do not pull the mains cable to disconnect the appliance. Always pull the mains plug.

### 2.3 Use



#### **WARNING!**

Risk of injury, burns, electrical shock or fire.

- Do not change the specification of this appliance.
- Do not put electrical appliances (e.g. ice cream makers) in the appliance unless they are stated applicable by the manufacturer.
- Be careful not to cause damage to the refrigerant circuit. It contains isobutane (R600a), a natural gas with a high level of environmental compatibility. This gas is flammable.
- If damage occurs to the refrigerant circuit, make sure that there are no flames and sources of ignition in the room. Ventilate the room.
- Do not let hot items to touch the plastic parts of the appliance.
- Do not put soft drinks in the freezer compartment. This will create pressure on the drink container.
- Do not store flammable gas and liquid in the appliance.
- Do not put flammable products or items that are wet with flammable products in, near or on the appliance.
- Do not touch the compressor or the condenser. They are hot.
- Do not remove or touch items from the freezer compartment if your hands are wet or damp.
- Do not freeze again food that has been thawed.
- Obey the storage instructions on the packaging of frozen food.
- Before maintenance, deactivate the appliance and disconnect the mains plug from the mains socket.
- This appliance contains hydrocarbons in the cooling unit. Only a qualified person must do the maintenance and the recharging of the unit.
- Regularly examine the drain of the appliance and if necessary, clean it. If the drain is blocked, defrosted water collects in the bottom of the appliance.

## 2.6 Disposal



### WARNING!

Risk of injury or suffocation.

- Disconnect the appliance from the mains supply.
- Cut off the mains cable and discard it.
- Remove the door to prevent children and pets to be closed inside of the appliance.
- The refrigerant circuit and the insulation materials of this appliance are ozone-friendly.
- The insulation foam contains flammable gas. Contact your municipal authority for information on how to discard the appliance correctly.
- Do not cause damage to the part of the cooling unit that is near the heat exchanger.

## 2.4 Internal light

- The type of lamp used for this appliance is not suitable for household room illumination

## 2.5 Care and cleaning



### WARNING!

Risk of injury or damage to the appliance.

# 3. OPERATION

## 3.1 Switching on

Insert the electrical plug into a wall socket.

Turn the temperature regulator clockwise to a medium setting.

## 3.2 Switching off

To turn off the appliance, turn the temperature regulator to the "O" position.

### 3.3 Temperature regulation

The temperature is automatically regulated.

To operate the appliance, proceed as follows:

- turn the Temperature regulator towards lower settings to obtain the minimum coldness.
- turn the Temperature regulator towards higher settings to obtain the maximum coldness.



A medium setting is generally the most suitable.

However, the exact setting should be chosen keeping in mind that the temperature inside the appliance depends on:

- room temperature
- how often the lid is opened
- the quantity of food stored
- the location of the appliance.



If the ambient temperature is high or the appliance is fully loaded, and the appliance is set to the lowest temperature, it may run continuously causing frost to form on the rear wall. In this case the dial must be set to a higher temperature to allow automatic defrosting and therefore reduced energy consumption.

## 4. FIRST USE

### 4.1 Cleaning the interior

Before using the appliance for the first time, the interior and all internal accessories should be washed with lukewarm water and some neutral soap to remove the typical smell of a brand-new product, then dried thoroughly.



#### CAUTION!

Do not use detergents or abrasive powders, as these will damage the finish.

## 5. DAILY USE



#### WARNING!

Refer to Safety chapters.

### 5.1 Freezing fresh food

The freezer compartment is suitable for freezing fresh food and storing frozen and deep-frozen food for a long time.

To freeze fresh foods it is not necessary to change the medium setting.

However, for a faster freezing operation, turn the temperature regulator toward higher settings to obtain the maximum coldness.



#### CAUTION!

In this condition, the refrigerator compartment temperature might drop below 0°C. If this occurs reset the temperature regulator to a warmer setting.

### 5.2 Storage of frozen food

When first starting-up or after a period out of use, before putting the products in the compartment let the appliance run at least 2 hours on the higher settings.



In the event of accidental defrosting, for example due to a power failure, if the power has been off for longer than the value shown in the technical characteristics chart under "rising time", the defrosted food must be consumed quickly or cooked immediately and then re-frozen (after cooling).

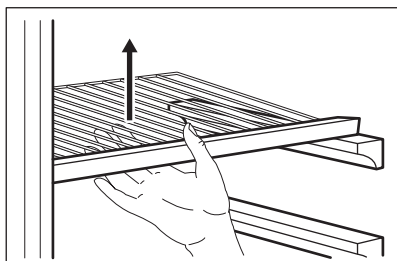
### 5.3 Thawing

Deep-frozen or frozen food, prior to being used, can be thawed in the refrigerator compartment or at room temperature, depending on the time available for this operation.

Small pieces may even be cooked still frozen, directly from the freezer: in this case, cooking will take longer.

### 5.4 Movable shelves

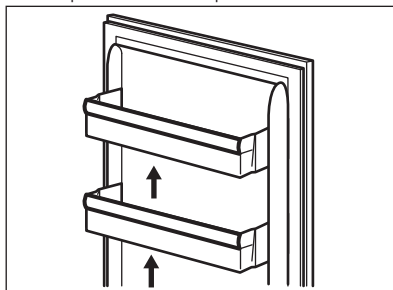
The walls of the refrigerator are equipped with a series of runners so that the shelves can be positioned as desired.



### 5.5 Positioning the door shelves

To permit storage of food packages of various sizes, the door shelves can be placed at different heights.

1. Gradually pull the shelf in the direction of the arrows until it comes free.
2. Reposition as required.



## 6. HINTS AND TIPS

### 6.1 Normal operating sounds

The following sounds are normal during operation:

- A faint gurgling and bubbling sound from coils sound when refrigerant is pumped.
- A whirring and pulsating sound from the compressor when refrigerant is pumped.
- A sudden cracking noise from inside appliance caused by thermic dilatation (a natural and not dangerous physical phenomenon).
- A faint click noise from the temperature regulator when the compressor switches on or off.

## 6.2 Hints for energy saving

- Do not open the door frequently or leave it open longer than absolutely necessary.
- If the ambient temperature is high and the Temperature Regulator is set to low temperature and the appliance is fully loaded, the compressor may run continuously, causing frost or ice on the evaporator. If this happens, set the Temperature Regulator toward warmer settings to allow automatic defrosting and so a saving in electricity consumption.
- If foreseen, do not remove the cold accumulators from the freezer basket.

## 6.3 Hints for fresh food refrigeration

To obtain the best performance:

- do not store warm food or evaporating liquids in the refrigerator
- do cover or wrap the food, particularly if it has a strong flavour
- position food so that air can circulate freely around it

## 6.4 Hints for refrigeration

Useful hints:

- Meat (all types) : wrap in polythene bags and place on the glass shelf above the vegetable drawer.
- For safety, store in this way only one or two days at the most.
- Cooked foods, cold dishes, etc.: these should be covered and may be placed on any shelf.
- Fruit and vegetables: these should be thoroughly cleaned and placed in the special drawer(s) provided.
- Butter and cheese: these should be placed in special airtight containers or wrapped in aluminium foil or polythene bags to exclude as much air as possible.
- Bottles: these need a cap and should be stored on the door bottle shelf.
- Bananas, potatoes, onions and garlic, if not packed, must not be kept in the refrigerator.

## 6.5 Hints for freezing

To help you make the most of the freezing process, here are some important hints:

- the maximum quantity of food which can be frozen in 24 hrs. is shown on the rating plate;
- the freezing process takes 24 hours. No further food to be frozen should be added during this period;
- only freeze top quality, fresh and thoroughly cleaned, foodstuffs;
- prepare food in small portions to enable it to be rapidly and completely frozen and to make it possible subsequently to thaw only the quantity required;
- wrap up the food in aluminium foil or polythene and make sure that the packages are airtight;
- do not allow fresh, unfrozen food to touch food which is already frozen, thus avoiding a rise in temperature of the latter;
- lean foods store better and longer than fatty ones; salt reduces the storage life of food;
- water ices, if consumed immediately after removal from the freezer compartment, can possibly cause the skin to be freeze burnt;
- it is advisable to show the freezing in date on each individual pack to enable you to keep tab of the storage time.

## 6.6 Hints for storage of frozen food

To obtain the best performance from this appliance, you should:

- make sure that the commercially frozen foodstuffs were adequately stored by the retailer;
- be sure that frozen foodstuffs are transferred from the foodstore to the freezer in the shortest possible time;
- not open the door frequently or leave it open longer than absolutely necessary;
- once defrosted, food deteriorates rapidly and cannot be refrozen;
- do not exceed the storage period indicated by the food manufacturer.

## 7. CARE AND CLEANING



**WARNING!**  
Refer to Safety chapters.

### 7.1 General warnings



**CAUTION!**  
Unplug the appliance before carrying out any maintenance operation.



This appliance contains hydrocarbons in its cooling unit; maintenance and recharging must therefore only be carried out by authorized technicians.



The accessories and parts of the appliance are not suitable for washing in a dishwasher.

### 7.2 Periodic cleaning



**CAUTION!**  
Do not pull, move or damage any pipes and/or cables inside the cabinet.



Take care of not to damage the cooling system. When moving the cabinet, lift it by the front edge to avoid scratching the floor.

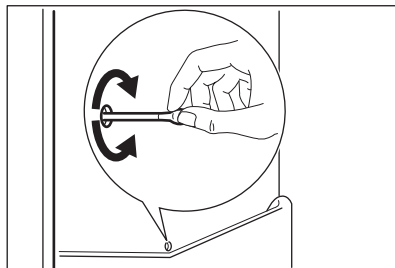
The equipment has to be cleaned regularly:

1. Clean the inside and accessories with lukewarm water and some neutral soap.
2. Regularly check the door seals and wipe clean to ensure they are clean and free from debris.
3. Rinse and dry thoroughly.
4. If accessible, clean the condenser and the compressor at the back of the appliance with a brush. This operation will improve the performance of the appliance and save electricity consumption.

### 7.3 Defrosting of the refrigerator

Frost is automatically eliminated from the evaporator of the refrigerator compartment every time the motor compressor stops, during normal use. The defrost water drains out through a trough into a special container at the back of the appliance, over the motor compressor, where it evaporates.

It is important to periodically clean the defrost water drain hole in the middle of the refrigerator compartment channel to prevent the water overflowing and dripping onto the food inside.



### 7.4 Defrosting the freezer



**CAUTION!**  
Never use sharp metal tools to scrape off frost from the evaporator as you could damage it. Do not use a mechanical device or any artificial means to speed up the thawing process other than those recommended by the manufacturer. A temperature rise of the frozen food packs, during defrosting, may shorten their safe storage life.



About 12 hours prior to defrosting, set a lower temperature, in order to build up sufficient chill reserve for the interruption in operation.

A certain amount of frost will always form on the freezer shelves and around the top compartment.

Defrost the freezer when the frost layer reaches a thickness of about 3-5 mm.

1. Switch off the appliance, or pull out electrical plug from the wall socket.
2. Remove any stored food, wrap it in several layers of newspaper and put it in a cool place.



**WARNING!**

Do not touch frozen goods with wet hands. Hands can freeze to the goods.

3. Leave the door open. In order to speed up the defrosting process, place a pot of warm water in the freezer compartment. In addition, remove pieces of ice that break away before defrosting is complete.
4. When defrosting is completed, dry the interior thoroughly.
5. Switch on the appliance.

After three hours reload the previously removed food into the freezer compartment.

## 7.5 Periods of non-operation

When the appliance is not in use for long periods, take the following precautions:

1. Disconnect the appliance from electricity supply.
2. Remove all food.
3. Defrost (if necessary) and clean the appliance and all accessories.
4. Leave the door/doors open to prevent unpleasant smells.



**WARNING!**

If the cabinet will be kept open, ask somebody to check it once in a while to prevent the food inside from spoiling in case of a power failure.

## 8. TROUBLESHOOTING



**WARNING!**

Refer to Safety chapters.

### 8.1 What to do if...

Problem	Possible cause	Solution
The appliance does not operate.	The appliance is switched off.	Switch on the appliance.
	The mains plug is not connected to the mains socket correctly.	Connect the mains plug to the mains socket correctly.
	There is no voltage in the mains socket.	Connect a different electrical appliance to the mains socket. Contact a qualified electrician.
The appliance is noisy.	The appliance is not supported properly.	Check if the appliance stands stable.
The lamp does not work.	The lamp is in stand-by.	Close and open the door.
	The lamp is defective.	Refer to "Replacing the lamp".

Problem	Possible cause	Solution
The compressor operates continually.	Temperature is set incorrectly.	Refer to "Operation" chapter.
	Many food products to be frozen were put in at the same time.	Wait some hours and then check the temperature again.
	The room temperature is too high.	Refer to climate class chart on the rating plate.
	Food products placed in the appliance were too warm.	Allow food products to cool to room temperature before storing.
Water flows into the refrigerator.	The water outlet is clogged.	Clean the water outlet.
	Food products prevent that water flows into the water collector.	Make sure that food products do not touch the rear plate.
Door is misaligned or interferes with ventilation grill.	The appliance is not levelled.	Refer to "Levelling".
The temperature in the appliance is too low/too high.	The temperature regulator is not set correctly.	Set a higher/lower temperature.
	The door is not closed correctly.	Refer to "Closing the door".
	The food products' temperature is too high.	Let the food products temperature decrease to room temperature before storage.
	Many food products are stored at the same time.	Store less food products at the same time.
	The door has been opened often.	Open the door only if necessary.

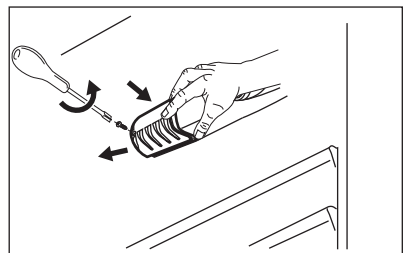


If the advice does not lead to the desired result, call the nearest brand-mark service.

## 8.2 Replacing the lamp

Disconnect the plug from the mains socket.

1. Remove the screw from the lamp cover.
2. Remove the lamp cover (refer to the illustration).
3. Replace the used lamp with a new lamp of the same power and specifically designed for household



appliances (the maximum power is shown on the lamp cover).

4. Install the lamp cover.
  5. Tighten the screw to the lamp cover.
  6. Connect the plug to the mains socket.
  7. Open the door.
- Make sure that the light comes on.

## 9. INSTALLATION



### WARNING!

Refer to Safety chapters.

### 9.1 Positioning

This appliance can be installed in a dry, well ventilated indoor where the ambient temperature corresponds to the climate class indicated on the rating plate of the appliance:

Climate class	Ambient temperature
SN	+10°C to + 32°C
N	+16°C to + 32°C
ST	+16°C to + 38°C
T	+16°C to + 43°C



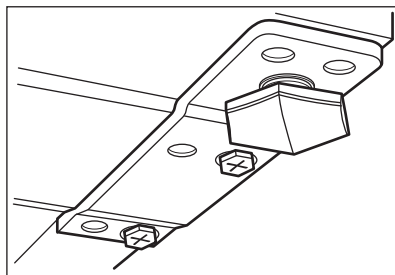
Some functional problems might occur for some types of models when operating outside of that range. The correct operation can only be guaranteed within the specified temperature range. If you have any doubts regarding where to install the appliance, please turn to the vendor, to our customer service or to the nearest Service Centre

### 9.2 Levelling

When placing the appliance ensure that it stands level. This can be achieved by two adjustable feet at the bottom in front.

### 8.3 Closing the door

1. Clean the door gaskets.
2. If necessary, adjust the door. Refer to "Installation".
3. If necessary, replace the defective door gaskets. Contact the Service Center.

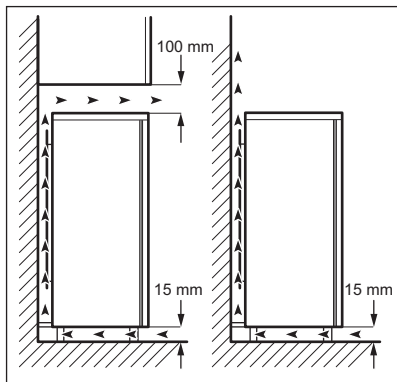


### 9.3 Location



It must be possible to disconnect the appliance from the mains power supply; the plug must therefore be easily accessible after installation.

The appliance should be installed well away from sources of heat such as radiators, boilers, direct sunlight etc. Ensure that air can circulate freely around the back of the cabinet. To ensure best performance, if the appliance is positioned below an overhanging wall unit, the minimum distance between the top of the cabinet and the wall unit must be at least 100 mm. Ideally, however, the appliance should not be positioned below overhanging wall units. Accurate levelling is ensured by one or more adjustable feet at the base of the cabinet.



## 9.4 Door reversibility



### WARNING!

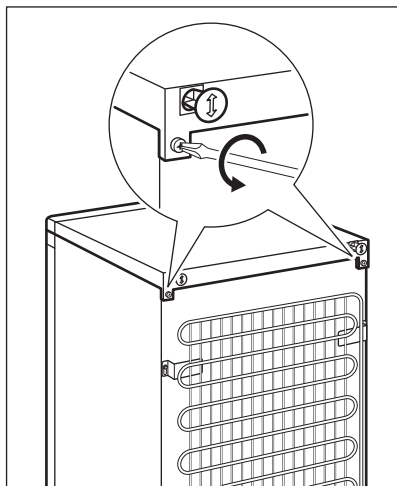
Before carrying out any operations, remove the plug from the power socket.



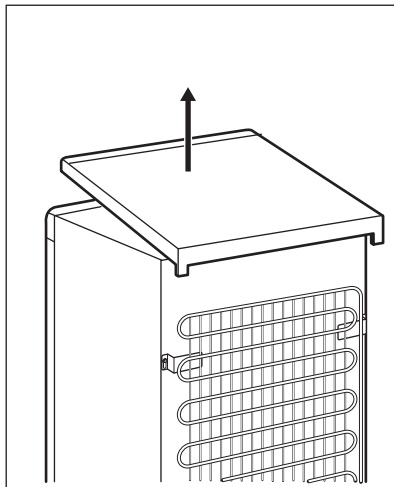
### CAUTION!

To carry out the following operations, we suggest that this be made with another person that will keep a firm hold on the doors of the appliance during the operations.

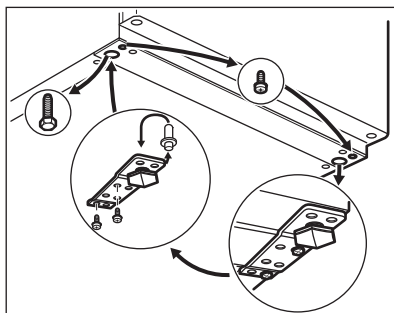
1. Unscrew both screws on the rear side.



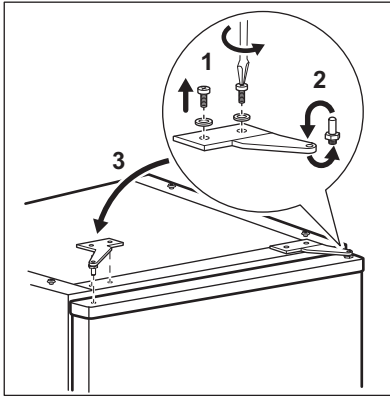
2. Push back the top and lift it.



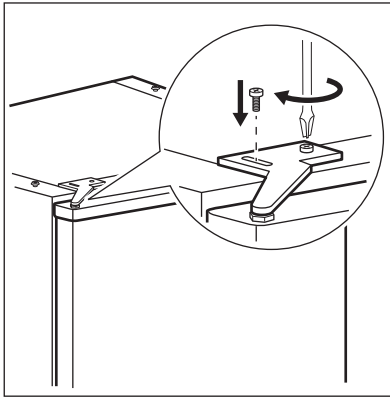
3. Unscrew the left foot.
4. Unscrew the screws of the door bottom hinge. Remove the hinge. Put over the pin in the direction of the arrow.



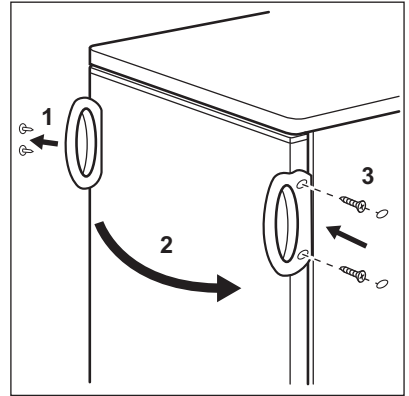
5. Unscrew and install the screw on the opposite side.
6. Install the hinge on the opposite side.
7. Screw the right foot.
8. Unscrew the screws of the door top hinge.



9. Remove the hinge. Put over the pin in the direction of the arrow. Install the hinge on the opposite side.



10. Tighten the hinge.  
 11. Put the top in position.  
 12. Push front the top.  
 13. Screw both screws on the rear side.  
 14. Remove and install the handle on the opposite side.



**WARNING!**

Reposition, level the appliance, wait for at least four hours and then connect it to the power socket.



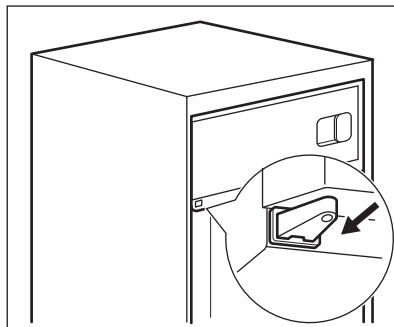
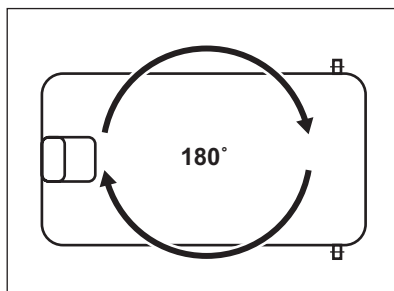
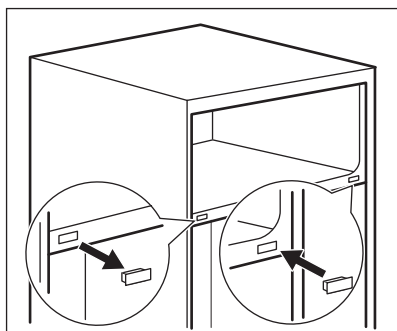
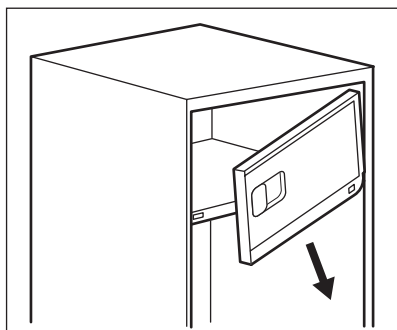
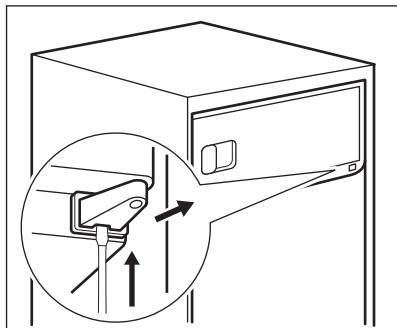
Do a final check to make sure that:

- All screws are tightened.
- The magnetic seal adheres to the cabinet.
- The door opens and closes correctly.

If the ambient temperature is cold (i.e. in Winter), the gasket may not fit perfectly to the cabinet. In that case, wait for the natural fitting of the gasket.

In case you do not want to carry out the above mentioned operations, contact the nearest After Sales Service Force. The After Sales Service specialist will carry out the reversibility of the doors at your cost.

## 9.5 Reversibility of the freezer door

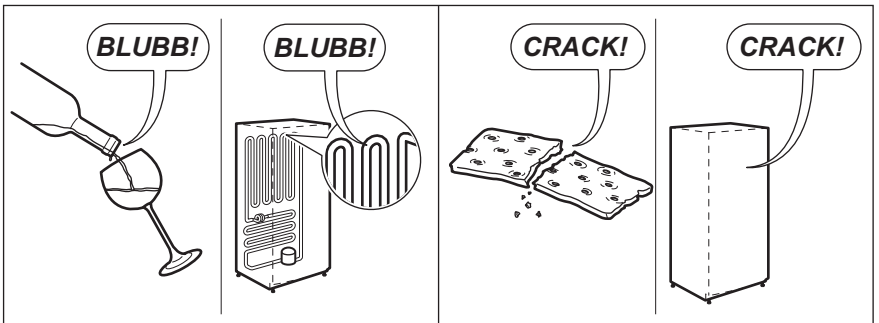
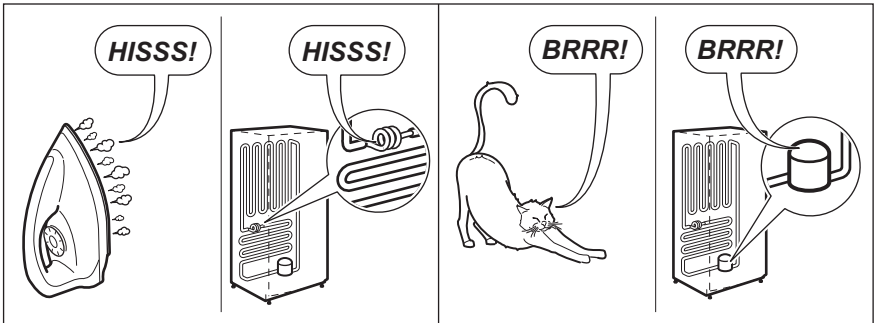
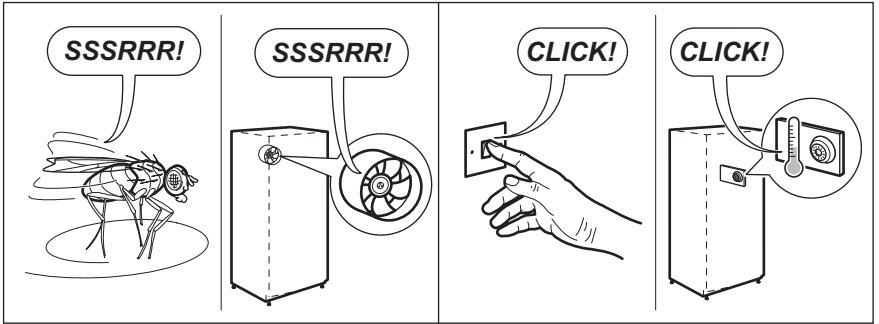
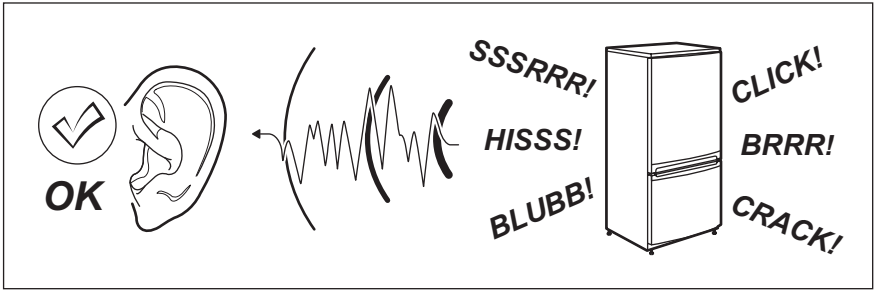


## 9.6 Electrical connection

- Before plugging in, ensure that the voltage and frequency shown on the rating plate correspond to your domestic power supply.
- The appliance must be earthed. The power supply cable plug is provided with a contact for this purpose. If the domestic power supply socket is not earthed, connect the appliance to a separate earth in compliance with current regulations, consulting a qualified electrician.
- The manufacturer declines all responsibility if the above safety precautions are not observed.
- This appliance complies with the E.E.C. Directives.

## 10. NOISES

There are some sounds during normal running (compressor, refrigerant circulation).




# 11. TECHNICAL INFORMATION


## 11.1 Technical data

Height	mm	850
Width	mm	550
Depth	mm	612
Rising time	Hours	11
Voltage	Volts	230-240
Frequency	Hz	50

The technical information are situated in the rating plate on the external right side of the appliance and in the energy label.

# 12. ENVIRONMENT CONCERNS

Recycle the materials with the symbol . Put the packaging in applicable containers to recycle it. Help protect the environment and human health and to recycle waste of electrical and electronic appliances. Do not dispose appliances

marked with the symbol  with the household waste. Return the product to your local recycling facility or contact your municipal office.

## TABLE DES MATIÈRES

1. CONSIGNES DE SÉCURITÉ.....	19
2. INSTRUCTIONS DE SÉCURITÉ.....	20
3. FONCTIONNEMENT.....	22
4. PREMIÈRE UTILISATION.....	22
5. UTILISATION QUOTIDIENNE.....	22
6. CONSEILS.....	24
7. ENTRETIEN ET NETTOYAGE.....	25
8. EN CAS D'ANOMALIE DE FONCTIONNEMENT.....	27
9. INSTALLATION.....	29
10. BRUITS.....	33
11. CARACTÉRISTIQUES TECHNIQUES.....	34

## POUR DES RÉSULTATS PARFAITS

Merci d'avoir choisi ce produit AEG. Nous l'avons conçu pour qu'il vous offre des performances irréprochables pour longtemps, en intégrant des technologies innovantes qui vous simplifient la vie grâce à des caractéristiques que vous ne trouverez pas forcément sur des appareils ordinaires. Veuillez prendre quelques instants pour lire cette notice afin d'utiliser au mieux votre appareil.

Visitez notre site Internet pour :



Obtenir des conseils d'utilisation, des brochures, de l'aide, des informations :  
**www.aeg.com**



Enregistrez votre produit pour obtenir un meilleur service :  
**www.registreaeg.com**



Acheter des accessoires, consommables et pièces de rechange d'origine pour votre appareil :  
**www.aeg.com/shop**

## SERVICE APRÈS-VENTE

Utilisez toujours des pièces d'origine.

Avant de contacter le service, assurez-vous de disposer des informations suivantes : Modèle, PNC, numéro de série.

Vous trouverez ces informations sur la plaque signalétique.



Avertissement/Consignes de sécurité



Informations générales et conseils



Informations en matière de protection de l'environnement

Sous réserve de modifications.

# 1. ⚠️ CONSIGNES DE SÉCURITÉ

Avant d'installer et d'utiliser cet appareil, lisez soigneusement les instructions fournies. Le fabricant ne peut être tenu pour responsable des dommages et blessures liés à une mauvaise installation ou utilisation. Conservez toujours cette notice avec votre appareil pour vous y référer ultérieurement.

## 1.1 Sécurité des enfants et des personnes vulnérables

- Cet appareil peut être utilisé par des enfants âgés d'au moins 8 ans et par des personnes ayant des capacités physiques, sensorielles ou mentales réduites ou dénuées d'expérience ou de connaissance, s'ils (si elles) sont correctement surveillé(e)s ou si des instructions relatives à l'utilisation de l'appareil en toute sécurité leur ont été données et si les risques encourus ont été appréhendés.
- Les enfants ne doivent pas jouer avec l'appareil.
- Le nettoyage et l'entretien par l'utilisateur ne doivent pas être effectués par des enfants sans surveillance.
- Ne laissez pas les emballages à la portée des enfants.

## 1.2 Consignes générales de sécurité

- Cet appareil est conçu uniquement pour un usage domestique et des utilisations telles que :
  - dans les bâtiments de ferme, dans des cuisines réservées aux employés dans des magasins, bureaux et autres lieux de travail ;
  - pour une utilisation privée, par les clients, dans des hôtels et autres lieux de séjour.
- Veillez à ce que les orifices de ventilation, situés dans l'enceinte de l'appareil ou dans la structure intégrée, ne soient pas obstrués.
- N'utilisez aucun dispositif mécanique ou autre appareil pour accélérer le processus de dégivrage que ceux recommandés par le fabricant.

- N'endommagez pas le circuit frigorifique.
- N'utilisez pas d'appareils électriques à l'intérieur des compartiments de conservation des aliments de l'appareil, sauf s'ils sont du type recommandé par le fabricant.
- Ne pulvérisiez pas d'eau ni de vapeur pour nettoyer l'appareil.
- Nettoyez l'appareil avec un chiffon doux humide. Utilisez uniquement des produits de nettoyage neutres. N'utilisez pas de produits abrasifs, de tampons à récurer, de solvants ni d'objets métalliques.
- Ne conservez aucune substance explosive dans cet appareil, comme des aérosols contenant un produit inflammable.
- Si le câble d'alimentation est endommagé, il doit être remplacé par le fabricant, son service après-vente ou des personnes de qualification similaire afin d'éviter un danger.

## 2. INSTRUCTIONS DE SÉCURITÉ

### 2.1 Installation



#### **AVERTISSEMENT!**

L'appareil doit être installé uniquement par un professionnel qualifié.

- Retirez l'intégralité de l'emballage
- N'installez pas et ne branchez pas un appareil endommagé.
- Suivez scrupuleusement les instructions d'installation fournies avec l'appareil.
- Soyez toujours vigilants lorsque vous déplacez l'appareil car il est lourd. Portez toujours des gants de sécurité.
- Assurez-vous que l'air circule autour de l'appareil.
- Attendez au moins 4 heures avant de brancher l'appareil sur le secteur. Cela permet à l'huile de refouler dans le compresseur.
- N'installez pas l'appareil à proximité d'un radiateur, d'une cuisinière, d'un four ou d'une table de cuisson.

- La surface arrière de l'appareil doit être positionnée contre un mur.
- N'installez pas l'appareil dans un endroit exposé à la lumière directe du soleil.
- N'installez pas l'appareil dans un endroit trop humide ou trop froid, comme une dépendance extérieure, un garage ou une cave.
- Lorsque vous déplacez l'appareil, veillez à le soulever par l'avant pour éviter de rayer le sol.

### 2.2 Connexion électrique



#### **AVERTISSEMENT!**

Risque d'incendie ou d'électrocution.

- L'appareil doit être relié à la terre.
- Vérifiez que les données électriques figurant sur la plaque signalétique correspondent à celles de votre réseau. Si ce n'est pas le cas, contactez un électricien.

- Utilisez toujours une prise antichoc correctement installée.
- N'utilisez pas d'adaptateurs multiprises ni de rallonges.
- Veillez à ne pas endommager les composants électriques tels que la fiche secteur, le câble d'alimentation ou le compresseur. Contactez le service après-vente ou un électricien pour changer les composants électriques.
- Le câble d'alimentation doit rester en dessous du niveau de la fiche secteur.
- Ne branchez la fiche d'alimentation à la prise de courant qu'à la fin de l'installation. Assurez-vous que la prise de courant est accessible une fois l'appareil installé.
- Ne tirez jamais sur le câble d'alimentation pour débrancher l'appareil. Tirez toujours sur la fiche.

## 2.3 Usage



### AVERTISSEMENT!

Risque de blessures, de brûlures, d'électrocution ou d'incendie.

- Ne modifiez pas les caractéristiques de cet appareil.
- Ne placez aucun appareil électrique (sorbetière, etc.) dans l'appareil, en l'absence d'indications du fabricant.
- Veillez à ne pas endommager le circuit frigorifique. Il contient de l'isobutane (R600a), un gaz naturel ayant un niveau élevé de compatibilité environnementale. Ce gaz est inflammable.
- Si le circuit frigorifique est endommagé, assurez-vous de l'absence de flammes et de sources d'ignition dans la pièce. Aérez la pièce.
- Évitez tout contact d'éléments chauds avec les parties en plastique de l'appareil.
- Ne placez jamais de boissons gazeuses dans le congélateur. Cela engendrerait une pression sur le récipient de la boisson.
- Ne stockez jamais de gaz ou de liquide inflammable dans l'appareil.
- Ne placez pas de produits inflammables ou d'éléments imbibés

de produits inflammables à l'intérieur ou à proximité de l'appareil, ni sur celui-ci.

- Ne touchez pas le compresseur ni le condenseur. Ils sont chauds.
- Ne retirez pas et ne touchez pas les éléments du compartiment congélateur avec les mains mouillées ou humides.
- Ne recongelez jamais un aliment qui a été décongelé.
- Respectez les instructions de stockage figurant sur l'emballage des aliments surgelés.

## 2.4 Éclairage interne

- Le type d'ampoule utilisé dans cet appareil n'est pas adapté à l'éclairage de votre habitation.

## 2.5 Entretien et nettoyage



### AVERTISSEMENT!

Risque de blessure corporelle ou de dommages matériels.

- Avant toute opération d'entretien, éteignez l'appareil et débranchez la fiche de la prise secteur.
- Cet appareil contient des hydrocarbures dans son circuit de réfrigération. L'entretien et la recharge du circuit de réfrigération doivent être effectués par un professionnel qualifié.
- Examinez régulièrement l'écoulement de l'appareil et si nécessaire, nettoyez-le. Si l'orifice est bouché, l'eau provenant du dégivrage s'écoulera en bas de l'appareil.

## 2.6 Mise au rebut



### AVERTISSEMENT!

Risque de blessure ou d'asphyxie.

- Débranchez l'appareil de l'alimentation électrique.
- Coupez le câble d'alimentation et mettez-le au rebut.
- Retirez la porte pour empêcher les enfants et les animaux de s'enfermer dans l'appareil.

- Le circuit frigorifique et les matériaux d'isolation de cet appareil préservent la couche d'ozone.
- La mousse isolante contient un gaz inflammable. Contactez votre service municipal pour obtenir des

informations sur la marche à suivre pour mettre l'appareil au rebut.

- N'endommagez pas la partie du circuit de réfrigération située à proximité du condenseur thermique.

## 3. FONCTIONNEMENT

### 3.1 Mise en marche

Insérez la fiche dans la prise murale.

Tournez le thermostat vers la droite sur une position médiane.

### 3.2 Mise à l'arrêt

Pour éteindre l'appareil, tournez le thermostat sur la position « O ».

### 3.3 Réglage de la température

La température est régulée automatiquement.

Pour utiliser l'appareil, procédez comme suit :

- tournez le thermostat vers le réglage minimal pour obtenir le niveau de froid minimal.
- tournez le thermostat vers le réglage maximal pour obtenir le niveau de froid maximal.



Un réglage intermédiaire est généralement le plus indiqué.

Toutefois, on obtiendra le réglage exact en tenant compte du fait que la température à l'intérieur de l'appareil dépend de plusieurs facteurs :

- la température ambiante
- la fréquence d'ouverture du couvercle
- la quantité d'aliments stockés
- l'emplacement de l'appareil.



Si la température ambiante est élevée ou l'appareil très rempli et si le thermostat est réglé sur la température la plus basse, il est possible que le compresseur fonctionne en régime continu, d'où un risque de formation de givre sur la paroi arrière. Pour éviter cet inconvénient, modifiez la position du thermostat pour obtenir moins de froid, de façon à permettre un dégivrage automatique et, par conséquent, des économies d'énergie.

## 4. PREMIÈRE UTILISATION

### 4.1 Nettoyage de l'intérieur

Avant d'utiliser l'appareil pour la première fois, nettoyez l'intérieur et tous les accessoires avec de l'eau tiède savonneuse (pour supprimer toute odeur de neuf), puis séchez-les soigneusement.



#### ATTENTION!

N'utilisez jamais de produits abrasifs ou caustiques car ils pourraient endommager le revêtement.

## 5. UTILISATION QUOTIDIENNE



#### AVERTISSEMENT!

Reportez-vous aux chapitres concernant la sécurité.

### 5.1 Congélation d'aliments frais

Le compartiment congélateur est idéal pour congeler des aliments frais et

conserver longtemps des aliments congelés ou surgelés.

Pour congeler des aliments frais, il n'est pas nécessaire de modifier le réglage moyen.

Toutefois, pour une congélation plus rapide, tournez le thermostat sur la position maximale pour obtenir plus de froid.



#### **ATTENTION!**

Dans ce cas, la température du compartiment réfrigérateur est susceptible de descendre en dessous de 0 °C. Si cela se produit, repositionnez le thermostat sur une position inférieure pour obtenir moins de froid.

## 5.2 Conservation d'aliments congelés et surgelés

À la mise en service ou après un arrêt prolongé, placez le thermostat sur la position maximale pendant 2 heures environ avant d'introduire les produits dans le compartiment.



En cas de décongélation accidentelle, due par exemple à une coupure de courant, si la coupure a duré plus de temps qu'indiqué au paragraphe « Autonomie de fonctionnement » du chapitre Caractéristiques techniques, consommez rapidement les aliments décongelés ou cuisez-les immédiatement avant de les recongeler (une fois refroidis).

## 5.3 Décongélation

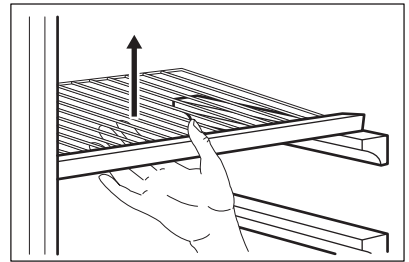
Avant utilisation, les aliments surgelés ou congelés peuvent être décongelés dans le compartiment réfrigérateur ou à

température ambiante en fonction du temps disponible pour cette opération.

Les petites portions peuvent même être cuites sans décongélation préalable : la cuisson sera cependant un peu plus longue.

## 5.4 Clayettes amovibles

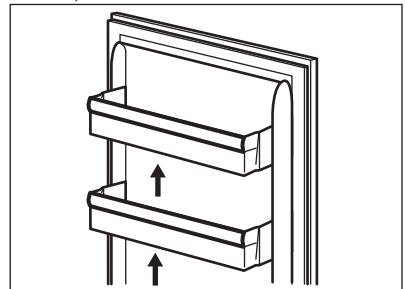
Les parois du réfrigérateur sont équipées d'une série de glissières afin que les clayettes puissent être positionnées comme vous le souhaitez.



## 5.5 Mise en place des balconnets de la porte

En fonction de la taille des emballages des aliments conservés, les balconnets de la porte peuvent être positionnés à différentes hauteurs.

1. Faites glisser le balconnet dans le sens des flèches jusqu'à ce qu'il se libère.
2. Repositionnez-le selon les besoins.



## 6. CONSEILS

### 6.1 Bruits normaux de fonctionnement

Les bruits suivants sont normaux lorsque l'appareil est en cours de fonctionnement :

- Un léger gargouillis lorsque le liquide réfrigérant est pompé.
- Un ronronnement et un bruit de pulsation provenant du compresseur lorsque le liquide réfrigérant est pompé.
- Un bruit de craquement soudain provenant de l'intérieur de l'appareil provoqué par une dilatation thermique (un phénomène naturel et inoffensif).
- Un léger cliquetis du thermostat lorsque le compresseur s'active ou se désactive.

### 6.2 Conseils d'économie d'énergie

- Évitez d'ouvrir trop souvent la porte du congélateur et ne la laissez ouverte que le temps nécessaire.
- Si la température ambiante est élevée, le thermostat réglé sur la position maximale et l'appareil plein, il est possible que le compresseur fonctionne en régime continu, d'où un risque de formation de givre ou de glace sur l'évaporateur. Dans ce cas, réglez le thermostat sur une température plus élevée pour faciliter le dégivrage automatique, ce qui permet ainsi d'économiser de l'énergie.
- S'ils sont inclus, n'enlevez pas les accumulateurs de froid du panier de congélation.

### 6.3 Conseils pour la réfrigération des aliments frais

Pour obtenir les meilleurs résultats :

- n'introduisez pas d'aliments encore chauds ou de liquides en évaporation dans le réfrigérateur
- couvrez ou enveloppez soigneusement les aliments, surtout s'ils sont aromatisés

- placez correctement les aliments pour que l'air puisse circuler librement autour

### 6.4 Conseils pour la réfrigération

Conseil utiles :

- Viande (tous types de viande) : enveloppez-la dans des sachets en plastique et placez-la sur la clayette en verre au-dessus du bac à légumes.
- Pour des raisons de sécurité, ne la conservez de cette manière que pendant un ou deux jours maximum.
- Aliments cuits, plats froids, etc. : ils doivent être couverts et peuvent être placés sur n'importe quelle clayette.
- Fruits et légumes : placez-les une fois nettoyés dans le bac à légumes.
- Beurre et fromage : placez-les dans des récipients étanches spéciaux ou enveloppez-les soigneusement dans des feuilles d'aluminium ou des sachets en plastique, afin que le volume d'air avec lesquels ils sont en contact soit réduit autant que possible.
- Bouteilles : elles doivent être munies d'un bouchon et être placées dans le balconnet à bouteilles de la porte.
- Bananes, pommes de terre, oignons et ail ne doivent pas être mis dans le réfrigérateur, s'ils ne sont pas emballés.

### 6.5 Conseils pour la congélation

Voici quelques conseils importants pour obtenir un processus de congélation optimal :

- respectez la quantité maximale de denrées fraîches que vous pouvez congeler par 24 heures figurant sur la plaque signalétique ;
- le processus de congélation dure 24 heures. N'ajoutez pas d'autres aliments à congeler pendant cette période ;
- congelez uniquement des aliments de bonne qualité, frais et nettoyés ;

- préparez la nourriture en petits paquets pour une congélation rapide et uniforme, adaptés à l'importance de la consommation ;
- enveloppez les aliments dans des feuilles d'aluminium ou des sachets en plastique et assurez-vous que les emballages sont étanches ;
- ne laissez pas des aliments frais, non congelés, toucher des aliments déjà congelés pour éviter une remontée en température de ces derniers ;
- les aliments maigres se conservent mieux et plus longtemps que les aliments gras ; le sel réduit la durée de conservation des aliments ;
- la température très basse à laquelle se trouvent les bâtonnets glacés, s'ils sont consommés dès leur sortie du compartiment congélateur, peut provoquer des brûlures ;
- l'identification des emballages est importante : indiquez la date de congélation du produit et respectez la durée de conservation indiquée par le fabricant.

## 6.6 Conseils pour le stockage des aliments surgelés

Pour obtenir les meilleures performances possibles :

- assurez-vous que les denrées surgelées achetées dans le commerce ont été correctement entreposées par le revendeur ;
- prévoyez un temps réduit au minimum pour le transport des denrées du magasin d'alimentation à votre domicile ;
- évitez d'ouvrir trop souvent la porte du congélateur et ne la laissez ouverte que le temps nécessaire ;
- une fois décongelés, les aliments se détériorent rapidement et ne peuvent pas être recongelés ;
- ne dépassez pas la durée de conservation indiquée par le fabricant.

## 7. ENTRETIEN ET NETTOYAGE



### AVERTISSEMENT!

Reportez-vous aux chapitres concernant la sécurité.

### 7.1 Avertissements généraux



#### ATTENTION!

Débranchez l'appareil avant toute opération d'entretien et de nettoyage.



Cet appareil contient des hydrocarbures dans son circuit de réfrigération ; l'entretien et la recharge ne doivent donc être effectués que par du personnel qualifié.



Les pièces et accessoires de l'appareil ne doivent pas être lavés au lave-vaisselle.

### 7.2 Nettoyage périodique



#### ATTENTION!

Ne tirez pas, ne déplacez pas, n'endommagez pas les tuyaux et/ou câbles qui se trouvent à l'intérieur de l'appareil.



Attention à ne pas endommager le système de réfrigération.

Lorsque vous déplacez l'appareil, veillez à le soulever par l'avant pour éviter de rayer le sol.

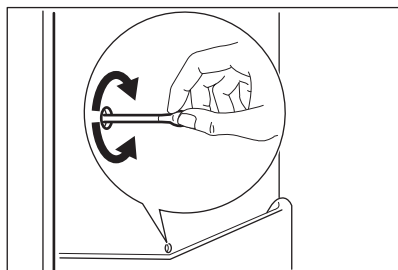
L'appareil doit être nettoyé régulièrement :

1. Nettoyez l'intérieur et les accessoires avec de l'eau tiède et un détergent doux.
2. Lavez le joint de porte en caoutchouc sans omettre de nettoyer également sous le joint.
3. Rincez et séchez soigneusement.
4. Si ceux-ci sont accessibles, nettoyez le condenseur et le compresseur situés à l'arrière de l'appareil avec une brosse.  
Cette opération améliore les performances de l'appareil et permet des économies d'électricité.

### 7.3 Dégivrage du réfrigérateur

En fonctionnement normal, le givre est automatiquement éliminé de l'évaporateur du compartiment réfrigérateur à chaque fois que le compresseur s'arrête. L'eau de dégivrage est collectée dans un récipient spécial situé à l'arrière de l'appareil, au-dessus du compresseur, d'où elle s'évapore.

Il est important de nettoyer régulièrement l'orifice d'écoulement de la goulotte d'évacuation de l'eau de dégivrage située au milieu du compartiment réfrigérateur pour empêcher l'eau de déborder et de couler à l'intérieur de l'appareil.



### 7.4 Dégivrage du congélateur



#### ATTENTION!

N'utilisez en aucun cas d'objets métalliques ou tranchants pour gratter la couche de givre sur l'évaporateur, car vous risqueriez de le détériorer. N'utilisez aucun dispositif mécanique ou autre moyen artificiel pour accélérer le processus de dégivrage hormis ceux recommandés par le fabricant. Une élévation de la température des denrées congelées, pendant le dégivrage, peut réduire leur durée de conservation.



Mettez le thermostat sur la température la plus basse 12 heures avant d'effectuer le dégivrage afin d'assurer une réserve de froid suffisante.

Une certaine quantité de givre se forme toujours sur les clayettes du congélateur et autour du compartiment supérieur.

Dégivrez le congélateur lorsque l'épaisseur de la couche de givre est comprise entre 3 et 5 mm.

1. Éteignez l'appareil, ou débranchez la fiche de la prise secteur.
2. Sortez les denrées congelées, enveloppez-les dans plusieurs feuilles de papier journal et conservez-les dans un endroit frais.



#### AVERTISSEMENT!

Ne touchez pas les produits congelés et les surfaces givrées avec les mains humides. Risque de brûlures ou d'arrachement de la peau.

3. Laissez la porte ouverte.  
Le dégivrage peut être accéléré en plaçant un récipient d'eau chaude dans le compartiment congélateur. Retirez également les morceaux de glace au fur et à mesure qu'ils se

détachent, avant que le processus de dégivrage ne soit terminé.

4. Une fois le dégivrage terminé, séchez bien l'intérieur.
5. Mettez l'appareil en marche. Au bout de 3 heures, remplacez les produits congelés dans le compartiment congélateur.

## 7.5 En cas de non-utilisation prolongée

Si l'appareil n'est pas utilisé pendant de longues périodes, prenez les précautions suivantes :

1. Débranchez l'appareil de l'alimentation électrique.
2. Retirez tous les aliments.
3. Dégivrez (si nécessaire) et nettoyez l'appareil ainsi que tous les accessoires.
4. Laissez la porte/les portes ouverte(s) pour éviter la formation d'odeurs désagréables.



### AVERTISSEMENT!

Si, toutefois, vous n'avez pas la possibilité de débrancher et de vider l'appareil, faites vérifier régulièrement le bon de fonctionnement de celui-ci et ceci en tenant compte de sa charge et de son autonomie de fonctionnement.

# 8. EN CAS D'ANOMALIE DE FONCTIONNEMENT



### AVERTISSEMENT!

Reportez-vous aux chapitres concernant la sécurité.

## 8.1 En cas d'anomalie de fonctionnement

Problème	Cause probable	Solution
L'appareil ne fonctionne pas du tout.	L'appareil est éteint.	Mettez l'appareil en marche.
	La fiche du câble d'alimentation n'est pas correctement insérée dans la prise de courant.	Branchez correctement la fiche du câble d'alimentation dans la prise de courant.
	La prise de courant n'est pas alimentée.	Branchez un autre appareil électrique à la prise de courant. Contactez un électricien qualifié.
L'appareil est bruyant.	L'appareil n'est pas stable.	Assurez-vous de la stabilité de l'appareil.
L'éclairage ne fonctionne pas.	L'éclairage est en mode veille.	Fermez puis ouvrez la porte.

<b>Problème</b>	<b>Cause probable</b>	<b>Solution</b>
	L'éclairage est défectueux.	Reportez-vous au chapitre « Remplacement de l'ampoule ».
Le compresseur fonctionne en permanence.	Il y a une erreur dans le réglage de la température.	Reportez-vous au chapitre « Fonctionnement ».
	Trop de produits à congeler ont été introduits en même temps dans l'appareil.	Attendez quelques heures et vérifiez de nouveau la température.
	La température ambiante est trop élevée.	Reportez-vous au tableau des classes climatiques de la plaque signalétique.
	Les aliments introduits dans l'appareil étaient trop chauds.	Laissez refroidir les aliments à température ambiante avant de les mettre dans l'appareil.
De l'eau s'écoule dans le réfrigérateur.	L'orifice d'écoulement de l'eau de dégivrage est obstrué.	Nettoyez l'orifice d'écoulement de l'eau de dégivrage.
	Des aliments empêchent l'eau de s'écouler dans le réservoir d'eau.	Assurez-vous que les produits ne touchent pas la plaque arrière.
La porte n'est pas dans l'alignement ou touche la grille de ventilation.	L'appareil n'est pas de niveau.	Reportez-vous au chapitre « Mise de niveau ».
La température à l'intérieur de l'appareil est trop basse/ élevée.	Le thermostat n'est pas réglé correctement.	Augmentez/réduisez la température.
	La porte n'est pas fermée correctement.	Reportez-vous au chapitre « Fermeture de la porte ».
	La température des produits est trop élevée.	Laissez les aliments refroidir à température ambiante avant de les placer dans l'appareil.
	Trop de produits ont été introduits simultanément.	Introduisez moins de produits en même temps.
	La porte a été ouverte trop souvent.	N'ouvrez la porte qu'en cas de nécessité.

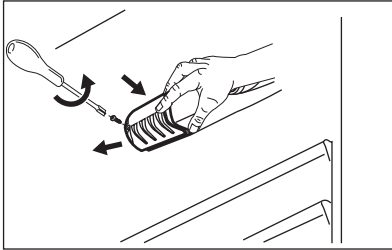


Si ces conseils n'apportent pas de solution à votre problème, veuillez consulter le service après-vente le plus proche.

## 8.2 Remplacement de l'éclairage

Débranchez la fiche de l'appareil de la prise secteur.

1. Retirez la vis du diffuseur.
2. Retirez le diffuseur (voir l'illustration).



3. Remplacez l'ampoule défectueuse par une ampoule neuve de puissance

identique, spécifiquement conçue pour les appareils électroménagers (la puissance maximale est indiquée sur le diffuseur).

4. Installez le diffuseur de l'ampoule.
5. Serrez la vis du diffuseur.
6. Branchez la fiche de l'appareil à la prise secteur.
7. Ouvrez la porte.

Vérifiez que l'ampoule s'allume.

## 8.3 Fermeture de la porte

1. Nettoyez les joints de la porte.
2. Si nécessaire, ajustez la porte. Reportez-vous au chapitre « Installation ».
3. Si nécessaire, remplacez les joints de porte défectueux. Contactez votre service après-vente.

# 9. INSTALLATION



**AVERTISSEMENT!**  
Reportez-vous aux chapitres concernant la sécurité.

## 9.1 Installation

Cet appareil peut être installé dans un pièce intérieure sèche et bien ventilée où la température ambiante correspond à la classe climatique indiquée sur la plaque signalétique de l'appareil :

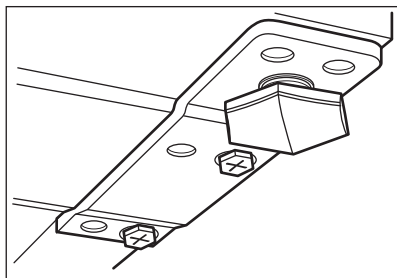
Classe climatique	Température ambiante
SN	+10 °C à +32 °C
N	+16 °C à +32 °C
ST	+16 °C à +38 °C
T	+16 °C à +43 °C



Des problèmes fonctionnels peuvent se produire sur certains types de modèles fonctionnant hors de cette plage de températures. Seul le respect de la plage de températures spécifiée peut garantir un bon fonctionnement de l'appareil. En cas de doute concernant l'emplacement d'installation de l'appareil, veuillez contacter le vendeur, notre service après-vente ou le centre de maintenance le plus proche.

## 9.2 Mise de niveau

Lorsque vous installez l'appareil, veillez à le placer de niveau. Servez-vous des deux pieds réglables se trouvant à l'avant de l'appareil.

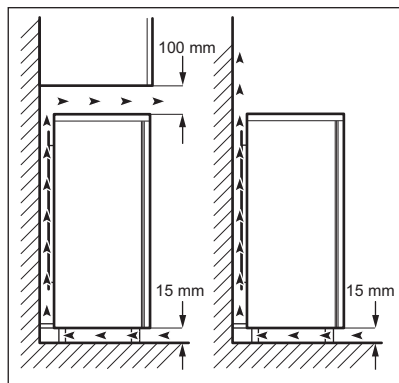


### 9.3 Emplacement



L'appareil doit pouvoir être débranché à tout moment ; il est donc nécessaire que la prise reste accessible après l'installation.

L'appareil ne doit pas être installé près d'une source de chaleur telle qu'un radiateur, une chaudière, la lumière directe du soleil, etc. Assurez-vous que l'air circule librement à l'arrière de l'appareil. Pour garantir un rendement optimal si l'appareil est installé sous un élément suspendu, la distance entre le haut de l'appareil et l'élément suspendu doit être d'au moins 100 mm. Si possible, évitez de placer l'appareil sous des éléments suspendus. La mise de niveau se fait à l'aide d'un ou de plusieurs pieds réglables à la base de l'appareil.



### 9.4 Réversibilité de la porte



#### AVERTISSEMENT!

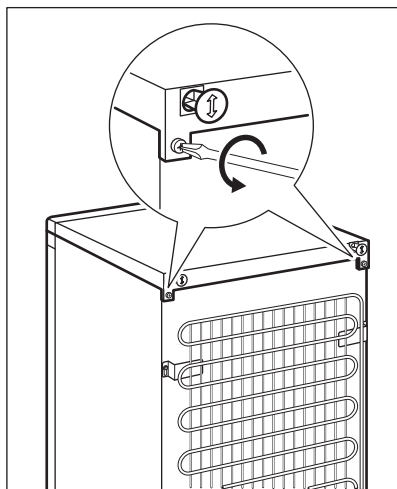
Avant toute opération, débranchez la fiche de la prise de courant.



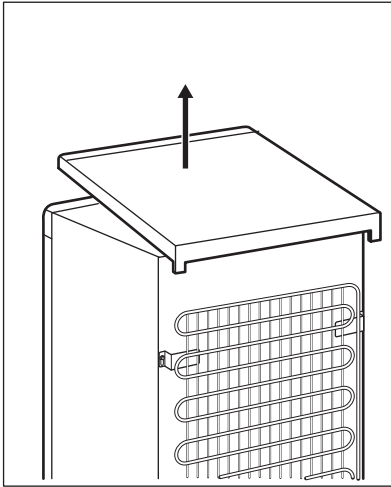
#### ATTENTION!

Pour effectuer les opérations suivantes, il est conseillé de se faire aider par une autre personne pour maintenir fermement les portes lors de toute manipulation de l'appareil.

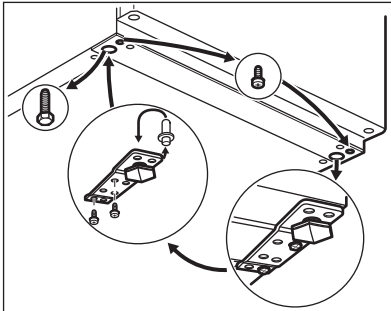
1. Dévissez les deux vis sur l'arrière.



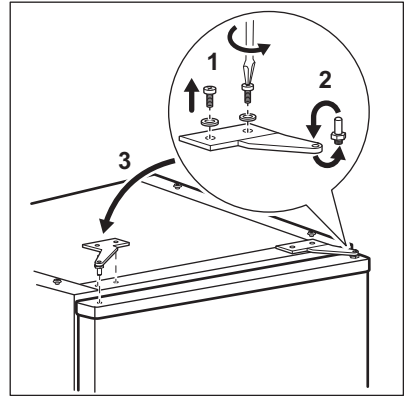
2. Repoussez le panneau supérieur et soulevez-le.



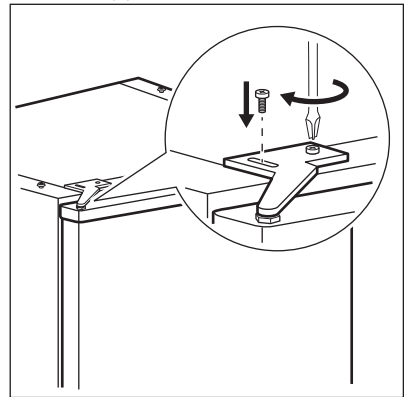
3. Dévissez le pied gauche.
4. Dévissez les vis de la charnière inférieure de la porte. Retirez la charnière. Placez la goupille dans le sens de la flèche.



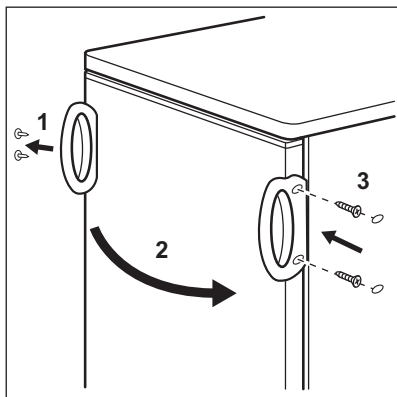
5. Dévissez et installez la vis sur le côté opposé.
6. Mettez en place la charnière sur le côté opposé.
7. Vissez le pied droit.
8. Dévissez les vis de la charnière supérieure de la porte.



9. Retirez la charnière. Placez la goupille dans le sens de la flèche. Mettez en place la charnière sur le côté opposé.



10. Serrez la charnière.
11. Mettez le panneau supérieur en place.
12. Appuyez sur l'avant du panneau.
13. Vissez les deux vis sur l'arrière.
14. Retirez et installez la poignée sur le côté opposé.

**AVERTISSEMENT!**

Remettez l'appareil en place, mettez-le de niveau, attendez au moins quatre heures puis branchez-le à la prise de courant.



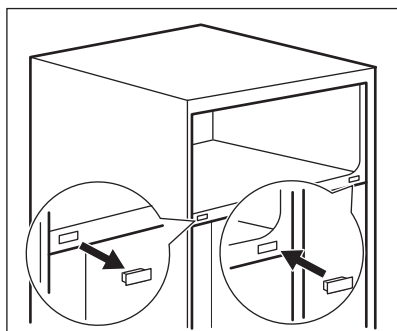
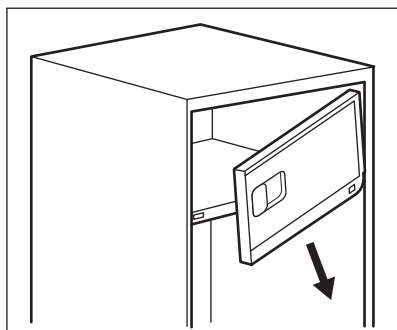
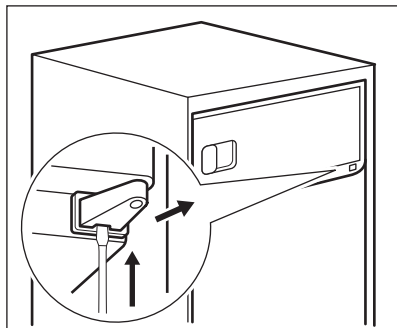
Faites une dernière vérification pour vous assurer que :

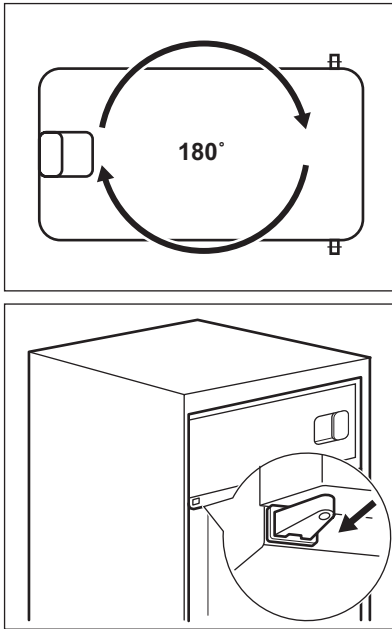
- Toutes les vis sont bien serrées.
- Le joint magnétique adhère bien à l'appareil.
- La porte s'ouvre et se ferme correctement.

Si la température ambiante est basse (par exemple, en hiver), il se peut que le joint n'adhère pas parfaitement. Dans ce cas, attendez que le joint reprenne sa taille naturelle.

Si vous ne souhaitez pas effectuer personnellement les opérations décrites ci-dessus, contactez votre service après-vente. Un technicien du service après-vente procédera à la réversibilité des portes à vos frais.

## 9.5 Réversibilité de la porte du congélateur



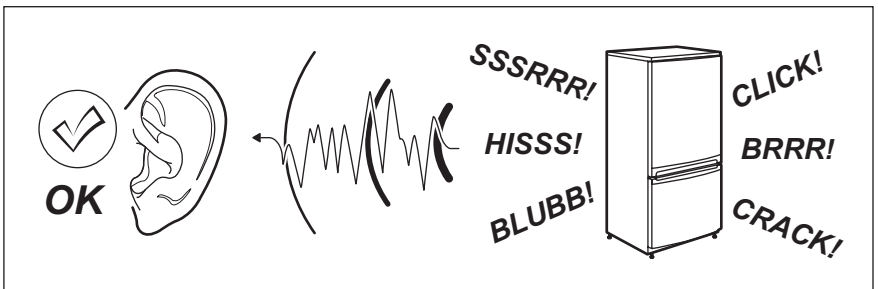


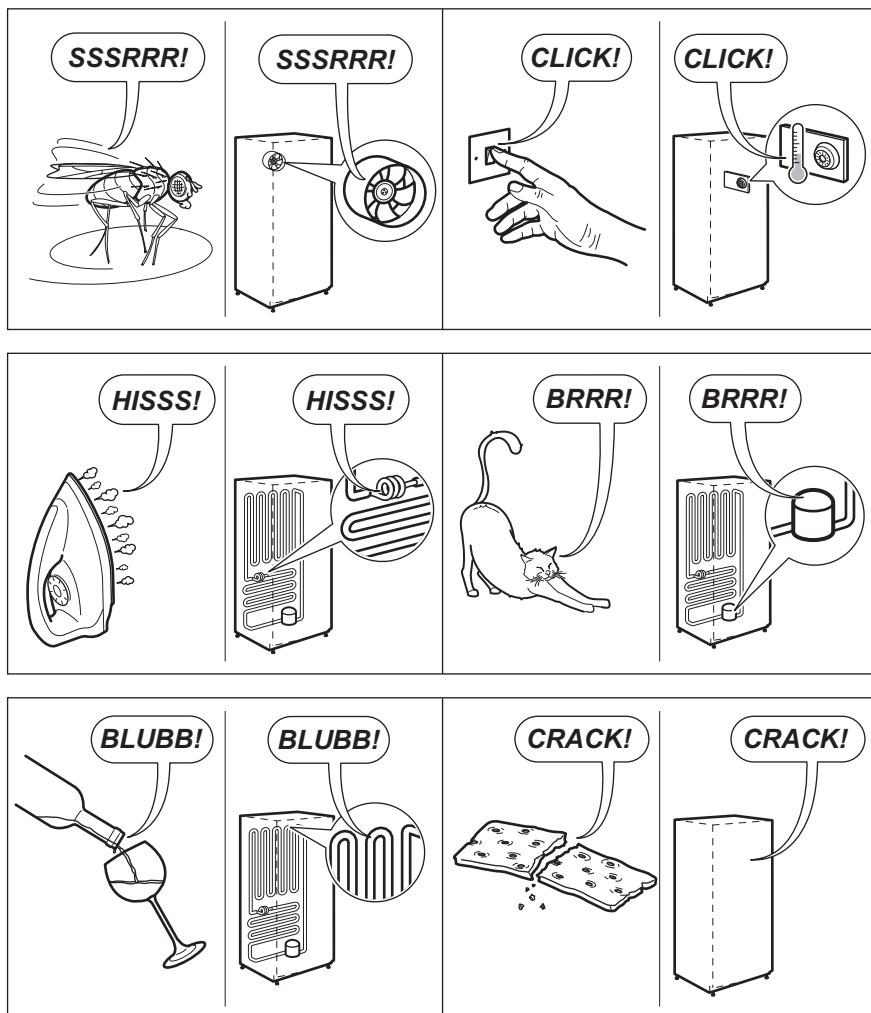
## 9.6 Branchement électrique

- Avant de brancher l'appareil, assurez-vous que la tension et la fréquence indiquées sur la plaque signalétique correspondent à celles de votre réseau électrique domestique.
- L'appareil doit être relié à la terre. La fiche du cordon d'alimentation est fournie avec un contact à cette fin. Si la prise de courant n'est pas mise à la terre, branchez l'appareil à une mise à la terre séparée conformément aux réglementations en vigueur, en consultant un électricien spécialisé.
- Le fabricant décline toute responsabilité en cas de non-respect de ces consignes de sécurité.
- Cet appareil est conforme aux directives CEE.

## 10. BRUITS

L'appareil émet certains bruits pendant son fonctionnement (compresseur, circuit frigorifique).





## 11. CARACTÉRISTIQUES TECHNIQUES

### 11.1 Caractéristiques techniques


Hauteur	mm	850
Largeur	mm	550
Profondeur	mm	612
Autonomie de fonctionnement	Heures	11


Tension	Volts	230-240
Fréquence	Hz	50

Les caractéristiques techniques figurent sur la plaque signalétique située sur le

côté droit à l'extérieur de l'appareil et sur l'étiquette énergétique.

## 12. EN MATIÈRE DE PROTECTION DE L'ENVIRONNEMENT

Recyclez les matériaux portant le symbole . Déposez les emballages dans les conteneurs prévus à cet effet. Contribuez à la protection de l'environnement et à votre sécurité, recyclez vos produits électriques et

électroniques. Ne jetez pas les appareils portant le symbole  avec les ordures ménagères. Emmenez un tel produit dans votre centre local de recyclage ou contactez vos services municipaux.

# INHALTSVERZEICHNIS

1. SICHERHEITSINFORMATIONEN.....	37
2. SICHERHEITSANWEISUNGEN.....	38
3. BETRIEB.....	40
4. ERSTE INBETRIEBNAHME.....	40
5. TÄGLICHER GEBRAUCH.....	41
6. TIPPS UND HINWEISE.....	42
7. REINIGUNG UND PFLEGE.....	43
8. FEHLERSUCHE.....	45
9. MONTAGE.....	47
10. GERÄUSCHE.....	51
11. TECHNISCHE DATEN.....	52

## FÜR PERFEKTE ERGEBNISSE

Danke, dass Sie sich für dieses AEG-Produkt entschieden haben. Wir haben es geschaffen, damit Sie viele Jahre von seiner ausgezeichneten Leistung und den innovativen Technologien, die Ihnen das Leben erleichtern, profitieren können. Es ist mit Funktionen ausgestattet, die in gewöhnlichen Geräten nicht vorhanden sind. Nehmen Sie sich ein paar Minuten Zeit zum Lesen, um seine Vorzüge kennen zu lernen.

**Besuchen Sie uns auf unserer Website, um:**



Anwendungshinweise, Prospekte, Fehlerbehebungs- und Service-Informationen zu erhalten:

**[www.aeg.com](http://www.aeg.com)**



Ihr Produkt für einen besseren Service zu registrieren:

**[www.registeraeg.com](http://www.registeraeg.com)**



Zubehör, Verbrauchsmaterial und Original-Ersatzteile für Ihr Gerät zu kaufen:

**[www.aeg.com/shop](http://www.aeg.com/shop)**

## REPARATUR- UND KUNDENDIENST

Bitte verwenden Sie ausschließlich Original-Ersatzteile für Ihre Produkte. Halten Sie folgende Angaben bereit, wenn Sie sich an den Kundendienst wenden: Modell, Produktnummer (PNC), Seriennummer. Die Informationen finden Sie auf dem Typenschild.



Warn-/ Sicherheitshinweise



Allgemeine Informationen und Empfehlungen



Umweltinformationen

Änderungen vorbehalten.

# 1. ⚠ SICHERHEITSINFORMATIONEN

Lesen Sie vor der Montage und dem Gebrauch des Geräts zuerst die Gebrauchsanleitung. Der Hersteller übernimmt keine Verantwortung für Verletzungen und Beschädigungen durch unsachgemäße Montage. Bewahren Sie die Gebrauchsanleitung griffbereit auf.

## 1.1 Sicherheit von Kindern und schutzbedürftigen Personen

- Das Gerät kann von Kindern ab 8 Jahren und Personen mit eingeschränkten physischen, sensorischen oder geistigen Fähigkeiten oder mit mangelnder Erfahrung und/oder mangelndem Wissen nur dann verwendet werden, wenn sie durch eine für ihre Sicherheit zuständige Person beaufsichtigt werden oder in die sichere Verwendung des Geräts eingewiesen wurden und die mit dem Gerät verbundenen Gefahren verstanden haben.
- Kinder dürfen nicht mit dem Gerät spielen.
- Wartung oder Reinigung des Geräts dürfen nicht von Kindern ohne Aufsicht erfolgen.
- Alle Verpackungsmaterialien von Kindern fernhalten.

## 1.2 Allgemeine Sicherheit

- Dieses Gerät ist für die Verwendung im Haushalt und ähnliche Zwecke vorgesehen, wie z. B.:
  - Bauernhöfe, Personalküchenbereiche in Geschäften, Büros und anderen Arbeitsumfeldern
  - Für Gäste in Hotels, Motels, Pensionen und anderen wohnungsähnlichen Räumlichkeiten
- Achten Sie darauf, dass die Belüftungsöffnungen im Gehäuse um das Gerät und in der Einbaunische nicht blockiert sind.
- Versuchen Sie nicht, den Abtauvorgang durch andere als vom Hersteller empfohlene mechanische oder sonstige Hilfsmittel zu beschleunigen.
- Beschädigen Sie nicht den Kältekreislauf.

- Betreiben Sie in den Lebensmittelfächern des Geräts keine anderen als die vom Hersteller empfohlenen Elektrogeräte.
- Reinigen Sie das Gerät nicht mit einem Wasser- oder Dampfstrahl.
- Reinigen Sie das Gerät mit einem weichen, feuchten Tuch. Verwenden Sie ausschließlich Neutralreiniger. Benutzen Sie keine Scheuermittel, scheuernde Reinigungsschwämmchen, Lösungsmittel oder Metallgegenstände.
- Bewahren Sie in dem Gerät keine explosiven Substanzen, wie Spraydosen mit entzündlichen Treibgasen auf.
- Wenn das Netzkabel beschädigt ist, muss es vom Hersteller, einem autorisierten Kundendienst oder einer gleichermaßen qualifizierten Person ersetzt werden, um Gefahren zu vermeiden.

## 2. SICHERHEITSANWEISUNGEN

### 2.1 Montage



#### **WARNUNG!**

Nur eine qualifizierte Fachkraft darf den elektrischen Anschluss des Geräts vornehmen.

- Entfernen Sie das Verpackungsmaterial.
- Stellen Sie ein beschädigtes Gerät nicht auf und benutzen Sie es nicht.
- Halten Sie sich an die mitgelieferte Montageanleitung.
- Seien Sie beim Umsetzen des Geräts vorsichtig, denn es ist schwer. Tragen Sie stets Sicherheitshandschuhe.
- Stellen Sie sicher, dass die Luft um das Gerät zirkulieren kann.
- Warten Sie mindestens 4 Stunden, bevor Sie das Gerät an das Stromnetz anschließen. Dies ist erforderlich, damit das Öl in den Kompressor zurückfließen kann.
- Stellen Sie das Gerät nicht in der Nähe von Heizkörpern, Herden, Backöfen oder Kochfeldern auf.

- Die Geräterückseite muss gegen die Wand gestellt werden.
- Stellen Sie das Gerät nicht dort auf, wo es direktem Sonnenlicht ausgesetzt sein könnte.
- Stellen Sie das Gerät nicht an zu feuchten oder kalten Orten auf, wie z. B. in Nebengebäuden, Garagen oder Weinkellern.
- Wenn Sie das Gerät verschieben möchten, heben Sie es bitte an der Vorderkante an, um den Fußboden nicht zu verkratzen.

### 2.2 Elektrischer Anschluss



#### **WARNUNG!**

Brand- und Stromschlaggefahr.

- Das Gerät muss geerdet sein.
- Stellen Sie sicher, dass die elektrischen Daten auf dem Typenschild den Daten Ihrer Stromversorgung entsprechen. Wenden Sie sich andernfalls an eine Elektrofachkraft.

- Schließen Sie das Gerät nur an eine ordnungsgemäß installierte Schutzkontaktsteckdose an.
- Verwenden Sie keine Mehrfachsteckdosen oder Verlängerungskabel.
- Achten Sie darauf, elektrische Bauteile (wie Netzstecker, Netzkabel und Kompressor) nicht zu beschädigen. Wenden Sie sich an den technischen Kundendienst oder eine Elektrofachkraft, um die elektrischen Bauteile auszutauschen.
- Das Netzkabel muss unterhalb des Netzsteckers verlegt werden.
- Stecken Sie den Netzstecker erst nach Abschluss der Montage in die Steckdose. Stellen Sie sicher, dass der Netzstecker nach der Montage noch zugänglich ist.
- Ziehen Sie nicht am Netzkabel, wenn Sie das Gerät von der Stromversorgung trennen möchten. Ziehen Sie stets am Netzstecker.
- Bewahren Sie keine entzündbaren Gase und Flüssigkeiten im Gerät auf.
- Platzieren Sie keine entflammaren Produkte oder Gegenstände, die mit entflammaren Produkten benetzt sind, im Gerät, auf dem Gerät oder in der Nähe des Geräts.
- Berühren Sie nicht den Kompressor oder den Kondensator. Sie sind heiß.
- Nehmen Sie keine Gegenstände aus dem Gefrierfach bzw. berühren Sie diese nicht, falls Ihre Hände nass oder feucht sind.
- Frieren Sie aufgetaute Lebensmittel nicht wieder ein.
- Befolgen Sie die Hinweise auf der Verpackung zur Aufbewahrung tiefgekühlter Lebensmittel.

## 2.3 Verwendung



### WARNUNG!

Es besteht Verletzungs-, Verbrennungs-, Stromschlag- und Brandgefahr.

- Nehmen Sie keine technischen Änderungen am Gerät vor.
- Stellen Sie keine elektrischen Geräte (z. B. Eisbereiter) in das Gerät, wenn solche Geräte nicht ausdrücklich vom Hersteller für diesen Zweck zugelassen sind.
- Achten Sie darauf, den Kältekreislauf nicht zu beschädigen. Er enthält Isobutan (R600a), ein Erdgas mit einem hohen Grad an Umweltverträglichkeit. Dieses Gas ist brennbar.
- Wird der Kältekreislauf beschädigt, stellen Sie bitte sicher, dass es keine Flammen und Zündquellen im Raum gibt. Belüften Sie den Raum.
- Stellen Sie keine heißen Gegenstände auf die Kunststoffteile des Geräts.
- Legen Sie Erfrischungsgetränke nicht in das Gefrierfach. Dadurch entsteht Druck auf den Getränkebehälter.

## 2.4 Innenbeleuchtung

- Der in diesem Gerät verwendete Lampentyp eignet sich nicht zur Raumbelichtung.

## 2.5 Reinigung und Pflege



### WARNUNG!

Verletzungsgefahr sowie Risiko von Schäden am Gerät.

- Schalten Sie das Gerät immer aus und ziehen Sie den Netzstecker aus der Steckdose, bevor Reinigungsarbeiten durchgeführt werden.
- Der Kältekreis des Gerätes enthält Kohlenwasserstoffe. Das Gerät muss von einer qualifizierten Fachkraft gewartet und nachgefüllt werden.
- Prüfen Sie regelmäßig den Wasserabfluss des Geräts und reinigen Sie ihn gegebenenfalls. Bei verstopftem Wasserabfluss sammelt sich das Abtauwasser am Boden des Geräts an.

## 2.6 Entsorgung



### WARNUNG!

Verletzungs- und Erstickungsgefahr.

- Trennen Sie das Gerät von der Stromversorgung.
- Schneiden Sie das Netzkabel ab, und entsorgen Sie es.

- Entfernen Sie die Tür, um zu verhindern, dass sich Kinder oder Haustiere in dem Gerät einschließen.
- Der Kältekreislauf und die Isolierungsmaterialien dieses Gerätes sind ozonfreundlich.
- Die Isolierung enthält entzündliches Gas. Für Informationen zur korrekten

Entsorgung des Gerätes wenden Sie sich an Ihre kommunale Behörde.

- Achten Sie darauf, dass die Kühleinheit in der Nähe des Wärmetauschers nicht beschädigt wird.

## 3. BETRIEB

### 3.1 Einschalten des Geräts

Stecken Sie den Stecker in die Netzsteckdose.

Drehen Sie den Temperaturregler im Uhrzeigersinn auf eine mittlere Einstellung.

### 3.2 Ausschalten des Geräts

Drehen Sie den Temperaturregler zum Ausschalten des Geräts in die Position „0“.

### 3.3 Temperaturregelung

Die Temperatur wird automatisch geregelt.

Bedienen Sie das Gerät wie folgt:

- Drehen Sie den Temperaturregler auf eine niedrigere Einstellung, um die minimal mögliche Kühlung zu erreichen.
- Drehen Sie den Temperaturregler auf eine höhere Einstellung, um die maximal mögliche Kühlung zu erreichen.



Eine mittlere Einstellung ist im Allgemeinen am besten geeignet.

Allerdings muss für eine exakte Einstellung berücksichtigt werden, dass die Temperatur im Inneren des Geräts von verschiedenen Faktoren abhängt:

- Raumtemperatur
- Häufigkeit der Türöffnung
- Menge der eingelagerten Lebensmittel
- Standort des Geräts.



Ist die Umgebungstemperatur hoch oder das Gerät voll beladen, dieses aber auf die niedrigste Temperatur eingestellt, so kann es bei andauerndem Betrieb des Geräts an der Rückwand zu Reifbildung kommen. In diesem Fall muss eine höhere Temperatur gewählt werden, die ein automatisches Abtauen ermöglicht und damit auch einen niedrigeren Energieverbrauch.

## 4. ERSTE INBETRIEBNAHME

### 4.1 Reinigen des Innenraums

Bevor Sie das Gerät in Betrieb nehmen, beseitigen Sie den typischen "Neugeruch" am besten durch Auswaschen der Innenteile mit lauwarmem Wasser und einer neutralen Seife. Sorgfältig nachtrocknen.



#### **ACHTUNG!**

Verwenden Sie keine Reinigungsmittel oder Scheuerpulver, da diese die Oberfläche beschädigen.

## 5. TÄGLICHER GEBRAUCH



**WARNUNG!**  
Siehe Kapitel  
Sicherheitshinweise.

### 5.1 Einfrieren frischer Lebensmittel

Der Gefrierraum eignet sich zum Einfrieren von frischen Lebensmitteln und zum längerfristigen Lagern von bereits gefrorenen und tiefgefrorenen Lebensmitteln.

Für das Einfrieren frischer Lebensmittel ist eine Änderung der mittleren Einstellung nicht erforderlich.

Möchten Sie den Gefriervorgang beschleunigen, drehen Sie den Temperaturregler auf eine höhere Einstellung, um die maximal mögliche Kühlung zu erreichen.



**ACHTUNG!**  
Unter diesen Umständen kann die Temperatur im Kühlschrank unter 0 °C fallen. Ist dies der Fall, drehen Sie den Temperaturregler auf eine wärmere Einstellung.

### 5.2 Lagern von gefrorenen Lebensmittel

Lassen Sie das Gerät vor der ersten Inbetriebnahme oder nach einer Zeit, in der das Gerät nicht benutzt wurde, mindestens 2 Stunden lang mit höherer Einstellung laufen, bevor Sie Lebensmittel in das Gefrierfach legen.



Kam es zum Beispiel durch einen Stromausfall, der länger dauerte als der in der Tabelle mit den technischen Daten angegebene Wert (siehe „Lagerzeit bei Störung“), zu einem ungewollten Abtauen, dann müssen die aufgetauten Lebensmittel sehr rasch verbraucht oder sofort gekocht und nach dem Abkühlen erneut eingefroren werden.

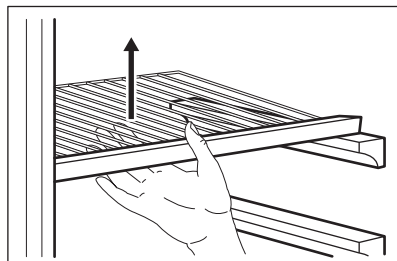
### 5.3 Abtauen

Tiefgefrorene oder gefrorene Lebensmittel können vor der Verwendung je nach der zur Verfügung stehenden Zeit im Kühlschrank oder bei Raumtemperatur aufgetaut werden.

Kleinere Gefriergutteile können sogar direkt aus dem Gefriergerät entnommen und anschließend sofort gekocht werden. In diesem Fall dauert der Garvorgang allerdings etwas länger.

### 5.4 Verstellbare Ablagen

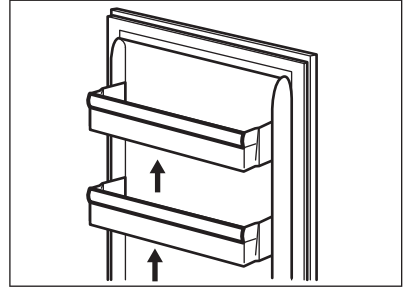
Die Wände des Kühlschranks sind mit einer Reihe von Führungsschienen ausgestattet, die verschiedene Möglichkeiten für das Einsetzen der Ablagen bieten.



## 5.5 Positionierung der Türablagen

Die Türablagen können in verschiedener Höhe positioniert werden; damit ermöglichen sie das Lagern verschieden großer Lebensmittelpackungen.

1. Ziehen Sie die Ablage langsam in Pfeilrichtung, bis sie sich lösen lässt.
2. Setzen Sie die Ablage in der gewünschten Höhe wieder ein.



## 6. TIPPS UND HINWEISE

### 6.1 Normale Betriebsgeräusche

Folgende Geräusche sind während des normalen Gerätebetriebs normal:

- Ein leichtes Gurgeln und Blubbern, wenn das Kältemittel durch die Leitungen gepumpt wird.
- Ein Surren und ein pulsierendes Geräusch vom Kompressor, wenn das Kältemittel durch die Leitungen gepumpt wird.
- Ein plötzliches Knackgeräusch aus dem Geräteinneren, verursacht durch thermische Ausdehnung (eine natürliche und nicht gefährliche physikalische Erscheinung).
- Leises Klicken des Temperaturreglers, wenn sich der Kompressor ein- oder ausschaltet.

### 6.2 Energiespartipps

- Öffnen Sie die Tür nicht zu häufig, und lassen Sie diese nicht länger offen als notwendig.
- Wenn die Umgebungstemperatur hoch ist, der Temperaturregler auf eine niedrige Temperatur eingestellt und das Gerät voll beladen ist, kann es zu andauerndem Betrieb des Kompressors und damit zu Reif- oder Eisbildung am Verdampfer kommen. Stellen Sie in diesem Fall den Temperaturregler auf eine höhere Einstellung ein, die ein automatisches Abtauen und damit auch einen niedrigeren Energieverbrauch ermöglicht.

- Nehmen Sie die Kälteakkus (falls vorhanden) nicht aus dem Gefrierkorb.

### 6.3 Hinweise für die Kühlung frischer Lebensmittel

So erzielen Sie die besten Ergebnisse:

- Legen Sie keine warmen Lebensmittel oder dampfende Flüssigkeiten in den Kühlschrank.
- Decken Sie die Lebensmittel ab oder verpacken Sie diese entsprechend, besonders wenn sie stark riechen.
- Legen Sie die Lebensmittel so hinein, dass um sie Luft frei zirkulieren kann.

### 6.4 Hinweise für die Kühlung

Tipps:

- Fleisch (alle Sorten): Verpacken Sie Fleisch in einem Frischhaltebeutel und legen Sie diesen auf die Glasablage über der Gemüseschublade.
- Bitte lagern Sie Fleisch aus Sicherheitsgründen nur einen oder maximal zwei Tage auf diese Weise.
- Gekochte Lebensmittel, kalte Gerichte usw.: Diese sollten abgedeckt auf eine der Ablagen gelegt werden.
- Obst und Gemüse: Gründlich reinigen und in die dafür vorgesehene(n) Schublade(n) legen.
- Butter und Käse: Diese sollten stets in speziellen luftdichten Behältern verpackt sein oder in Aluminiumfolie bzw. in lebensmittelechte Tüten eingepackt werden, um so wenig Luft

wie möglich in der Verpackung zu haben.

- Flaschen: Bitte bewahren Sie Flaschen stets mit Deckel im in der Türablage auf.
- Bananen, Kartoffeln, Zwiebeln und Knoblauch sollten im Kühlschrank nicht unverpackt aufbewahrt werden.

## 6.5 Hinweise zum Einfrieren

Im Folgenden finden Sie einige wertvolle Tipps für einen optimalen Gefriervorgang:

- Die maximale Menge an Lebensmitteln, die in 24 Stunden eingefroren werden kann, ist auf dem Typenschild angegeben.
- Der Gefriervorgang dauert 24 Stunden. Legen Sie während dieses Zeitraums keine weiteren einzufrierenden Lebensmittel in das Gefrierfach.
- Frieren Sie ausschließlich frische und gründlich gewaschene Lebensmittel von sehr guter Qualität ein.
- Teilen Sie die Lebensmittel in kleinere Portionen ein, damit diese schnell und vollständig gefrieren und Sie später nur die Menge auftauen müssen, die Sie benötigen.
- Verpacken Sie die einzufrierenden Lebensmittelportionen stets luftdicht in Alufolie oder in Gefrierbeuteln und achten Sie darauf, dass die Verpackung so wenig Luft wie möglich enthält.
- Achten Sie beim Hineinlegen von frischen, noch ungefrorenen

Lebensmitteln darauf, dass sie keinen Kontakt mit Gefriergut bekommen, da dieses sonst antauen könnte.

- Magere Lebensmittel lassen sich besser und länger als fetthaltige lagern; durch Salz wird die maximale Lagerungsdauer verkürzt.
- Wird Wassereis direkt nach der Entnahme aus dem Gefrierfach verzehrt, kann dies zu Frostbrand auf der Haut führen.
- Es empfiehlt sich, das Einfrierdatum auf jeder einzelnen Packung zu notieren, um einen genauen Überblick über die Lagerzeit zu haben.

## 6.6 Hinweise zur Lagerung gefrorener Lebensmittel

So erzielen Sie die besten Ergebnisse mit Ihrem Gerät:

- Vergewissern Sie sich, dass die gefrorenen Lebensmittel vom Händler angemessen gelagert wurden.
- Achten Sie unbedingt darauf, die eingekauften gefrorenen Lebensmittel in der kürzest möglichen Zeit zum Gefriergerät zu bringen.
- Öffnen Sie die Tür nicht zu häufig, und lassen Sie die Tür nicht länger offen als notwendig.
- Aufgetaute Lebensmittel verderben sehr schnell und eignen sich nicht für ein erneutes Einfrieren.
- Das Haltbarkeitsdatum auf der Tiefkühlkostverpackung darf nicht überschritten werden.

# 7. REINIGUNG UND PFLEGE



### **WARNUNG!**

Siehe Kapitel Sicherheitshinweise.

## 7.1 Allgemeine Warnhinweise



### **ACHTUNG!**

Ziehen Sie vor jeder Wartungsmaßnahme immer den Netzstecker aus der Steckdose.



Dieses Gerät enthält Kohlenwasserstoffe in seinem Kältekreislauf. Aus diesem Grund dürfen die Wartung und das Nachfüllen ausschließlich durch autorisiertes Fachpersonal erfolgen.



Das Zubehör des Geräts und die Innenteile eignen sich nicht für die Reinigung im Geschirrspüler.

## 7.2 Regelmäßige Reinigung



### ACHTUNG!

Ziehen Sie nicht an Leitungen und/oder Kabeln im Innern des Geräts und achten Sie darauf, diese nicht zu verschieben oder zu beschädigen.



Bitte achten Sie darauf, das Kühlsystem nicht zu beschädigen.

Wenn Sie das Gerät verschieben möchten, heben Sie es bitte an der Vorderkante an, um den Fußboden nicht zu verkratzen.

Das gesamte Gerät muss regelmäßig gereinigt werden:

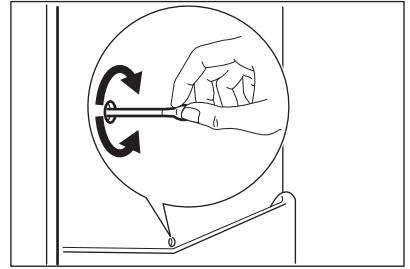
1. Reinigen Sie die Innenseiten und die Zubehörteile mit lauwarmem Wasser und etwas Neutraleife.
2. Prüfen und säubern Sie die Türdichtungen in regelmäßigen Abständen, um zu gewährleisten, dass diese sauber und frei von Fremdkörpern sind.
3. Spülen und trocknen Sie diese sorgfältig ab.
4. Reinigen Sie den Kondensator und den Kompressor auf der Geräterückseite, falls diese zugänglich sind, mit einer Bürste. Dadurch verbessert sich die Leistung des Geräts und es verbraucht weniger Strom.

## 7.3 Abtauen des Kühlschranks

Bei normalem Betrieb wird Reif bei jedem Anhalten des Kompressors automatisch vom Verdampfer des Kühlschranks entfernt. Das Tauwasser sammelt sich in einer Auffangrinne und läuft durch eine Abflussöffnung in einen speziellen Behälter an der Rückseite des Geräts über dem Kompressor, wo es verdampft.

Reinigen Sie deshalb regelmäßig die Abflussöffnung in der Mitte der Auffangrinne an der Rückwand des Kühlraums, damit das Tauwasser nicht

überläuft und auf die gelagerten Lebensmittel tropft.



## 7.4 Abtauen des Gefriergeräts



### ACHTUNG!

Entfernen Sie Reif und Eis vom Verdampfer niemals mit scharfen metallischen Gegenständen, da dieser dadurch beschädigt werden könnte. Versuchen Sie nicht, den Abtauvorgang durch andere als vom Hersteller empfohlene mechanische oder sonstige Hilfsmittel zu beschleunigen. Ein Temperaturanstieg des Gefrierguts während des Abtauens des Geräts kann die Lagerzeit dieser Lebensmittel verkürzen.



Stellen Sie 12 Stunden vor dem Abtauen eine niedrigere Temperatur ein, damit eine ausreichende Kälte als Reserve für die Unterbrechung im Betrieb entstehen kann.

Auf den Ablagen des Gefriergeräts und im Innern des oberen Fachs bildet sich stets etwas Reif.

Tauen Sie das Gefriergerät ab, wenn die Reifschicht eine Stärke von etwa 3 bis 5 mm erreicht hat.

1. Schalten Sie das Gerät aus, oder ziehen Sie den Netzstecker aus der Steckdose.
2. Nehmen Sie das gesamte Gefriergut heraus, verpacken Sie es in mehrere

Schichten Zeitungspapier und lagern Sie es an einem kühlen Ort.



**WARNUNG!**

Fassen Sie gefrorene Lebensmittel nicht mit nassen Händen an. Ihre Hände könnten an den Lebensmitteln festfrieren.

3. Lassen Sie die Tür offen. Stellen Sie eine Schale mit warmem Wasser in das Gefrierfach, um den Abtauprozess zu beschleunigen. Entfernen Sie bereits während des Abtauprozesses vorsichtig Eisstücke, die sich lösen lassen.
4. Wenn der Gefrierraum vollständig abgetaut ist, wischen Sie das Innere sorgfältig trocken.
5. Schalten Sie das Gerät ein. Legen Sie die ausgelagerten Lebensmittel nach drei Stunden wieder in das Gefrierfach.

Innenraum und das gesamte Zubehör.

4. Lassen Sie die Tür(en) offen, um das Entstehen unangenehmer Gerüche zu vermeiden.



**WARNUNG!**

Möchten Sie bei einer längeren Abwesenheit das Gerät weiterlaufen lassen, bitten Sie jemanden, gelegentlich die Temperatur zu prüfen, damit das Kühlgut bei einem möglichen Stromausfall nicht im Inneren des Geräts verdirbt.

### 7.5 Stillstandszeiten

Bei längerem Stillstand des Geräts müssen Sie folgende Vorkehrungen treffen:

1. Trennen Sie das Gerät von der Netzstromversorgung.
2. Entnehmen Sie alle Lebensmittel.
3. Tauen Sie das Gerät ab (falls erforderlich). Reinigen Sie den

## 8. FEHLERSUCHE



**WARNUNG!**

Siehe Kapitel Sicherheitshinweise.

### 8.1 Was tun, wenn ...

Problem	Mögliche Ursache	Abhilfe
Das Gerät funktioniert nicht.	Das Gerät ist ausgeschaltet.	Schalten Sie das Gerät ein.
	Der Netzstecker wurde nicht richtig in die Steckdose gesteckt.	Stecken Sie den Netzstecker richtig in die Steckdose.

<b>Problem</b>	<b>Mögliche Ursache</b>	<b>Abhilfe</b>
	Es liegt keine Spannung an der Netzsteckdose an.	Testen Sie, ob ein anderes Gerät an dieser Steckdose funktioniert. Wenden Sie sich an einen qualifizierten Elektriker.
Das Gerät ist zu laut.	Unebenheiten im Boden wurden nicht ausgeglichen.	Kontrollieren Sie, ob das Gerät stabil steht.
Die Lampe funktioniert nicht.	Die Lampe befindet sich im Standby-Modus.	Schließen und öffnen Sie die Tür.
	Die Lampe ist defekt.	Siehe hierzu „Austauschen der Lampe“.
Der Kompressor arbeitet ständig.	Die Temperatur ist nicht richtig eingestellt.	Siehe hierzu Kapitel „Betrieb“.
	Es wurden viele Lebensmittel gleichzeitig zum Einfrieren eingelegt.	Warten Sie einige Stunden und prüfen Sie dann die Temperatur erneut.
	Die Raumtemperatur ist zu hoch.	Siehe Klimaklasse auf dem Typenschild.
	In das Gerät eingelegte Lebensmittel waren noch zu warm.	Lassen Sie die Lebensmittel vor dem Einlagern auf Raumtemperatur abkühlen.
Wasser fließt in den Kühlchrank.	Der Wasserablauf ist verstopft.	Reinigen Sie den Wasserablauf.
	Die eingelagerten Lebensmittel verhindern, dass das Wasser zum Wassersammler fließt.	Stellen Sie sicher, dass die Lebensmittel nicht die Rückwand berühren.
Die Tür ist nicht richtig ausgerichtet oder berührt das Belüftungsgitter.	Das Gerät ist nicht eben ausgerichtet.	Siehe hierzu „Ausrichten des Gerätes“.
Die Temperatur im Gerät ist zu hoch/niedrig.	Der Temperaturregler ist nicht richtig eingestellt.	Stellen Sie eine höhere/niedrigere Temperatur ein.
	Die Tür wurde nicht richtig geschlossen.	Siehe hierzu „Schließen der Tür“.
	Die Temperatur der zu kühlenden Lebensmittel ist zu hoch.	Lassen Sie die Lebensmittel auf Raumtemperatur abkühlen, bevor Sie sie in das Gerät stellen.

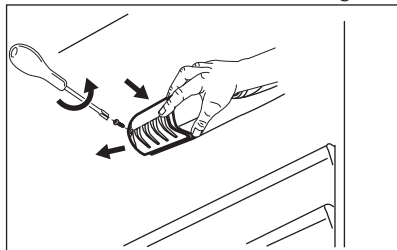
Problem	Mögliche Ursache	Abhilfe
	Es wurden zu viele Lebensmittel gleichzeitig eingelegt.	Legen Sie weniger Lebensmittel gleichzeitig ein.
	Die Tür wurde zu häufig geöffnet.	Öffnen Sie die Tür nur, wenn es notwendig ist.

**i** Bitte rufen Sie den nächsten Kundendienst an, wenn alle genannten Abhilfemaßnahmen nicht zum gewünschten Erfolg führen.

## 8.2 Austauschen der Lampe

Ziehen Sie den Netzstecker aus der Steckdose.

1. Lösen Sie die Schraube an der Lampenabdeckung.
2. Nehmen Sie die Lampenabdeckung ab (siehe hierzu die Abbildung).



3. Ersetzen Sie die alte Lampe durch eine Lampe mit der gleichen

Leistung (die maximal erlaubte Leistung steht auf der Lampenabdeckung), die speziell für Haushaltsgeräte vorgesehen ist.

4. Bringen Sie die Lampenabdeckung an.
5. Ziehen Sie die Schraube an der Lampenabdeckung fest.
6. Stecken Sie den Netzstecker in die Steckdose.
7. Öffnen Sie die Tür. Prüfen Sie, ob die Lampe brennt.

## 8.3 Schließen der Tür

1. Reinigen Sie die Türdichtungen.
2. Stellen Sie die Tür nach Bedarf ein. Siehe hierzu „Montage“.
3. Ersetzen Sie die defekten Türdichtungen, falls erforderlich. Wenden Sie sich hierzu an den Kundendienst.

# 9. MONTAGE



**WARNUNG!**  
Siehe Kapitel Sicherheitshinweise.

## 9.1 Standort

Installieren Sie dieses Gerät in einem trockenen, gut belüfteten Raum, in dem die Umgebungstemperatur mit der Klimaklasse übereinstimmt, die auf dem Typenschild des Geräts angegeben ist:

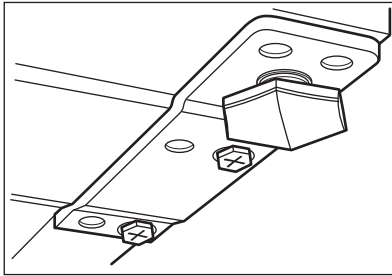
Klimaklasse	Umgebungstemperatur
SN	+10 °C bis +32 °C
N	+16 °C bis +32 °C
ST	+16 °C bis +38 °C
T	+16 °C bis +43 °C



Bei einigen Modellen können Funktionsstörungen auftreten, wenn sie außerhalb dieses Temperaturbereichs betrieben werden. Der ordnungsgemäße Betrieb wird nur innerhalb des angegebenen Temperaturbereichs gewährleistet. Bei Fragen zum Aufstellungsort des Geräts wenden Sie sich an den Verkäufer, unseren Kundendienst oder nächstgelegenen Service-Partner.

## 9.2 Ausrichten

Bei der Aufstellung des Geräts ist dieses waagrecht auszurichten. Dies lässt sich mit zwei Schraubfüßen am vorderen Sockel des Gerätes erreichen.



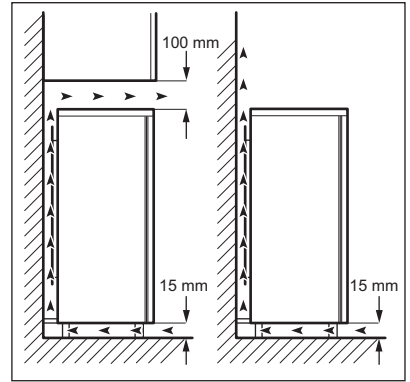
## 9.3 Aufstellungsort



Es muss möglich sein, das Gerät von der Hauptstromversorgung zu trennen; daher sollte der Netzstecker nach der Montage leicht zugänglich sein.

Das Gerät sollte in ausreichendem Abstand von Wärmequellen wie Heizungen, Boilern, direkter Sonneneinstrahlung etc. aufgestellt werden. Vergewissern Sie sich, dass Luft an der Rückseite des Gehäuses frei zirkulieren kann. Um einen einwandfreien Betrieb sicherzustellen, sollte der Abstand zwischen der Oberseite des

Gehäuses und dem Hängeschränk mindestens 100 mm betragen, wenn das Gerät unter einem Hängeschränk aufgestellt wird. Allerdings sollte die Aufstellung des Geräts unter einem Hängeschränk nach Möglichkeit vermieden werden. Die ordnungsgemäße waagrechte Ausrichtung des Gerätes kann mithilfe eines oder mehrerer verstellbarer Füße am Sockel des Gehäuses erfolgen.



## 9.4 Wechseln des Türanschlags



### WARNUNG!

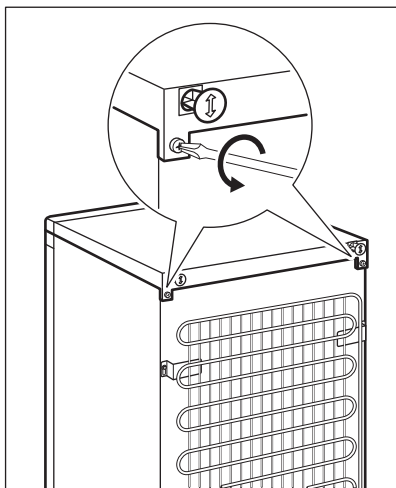
Vor der Durchführung von Arbeiten am Gerät ist stets der Netzstecker aus der Steckdose zu ziehen.



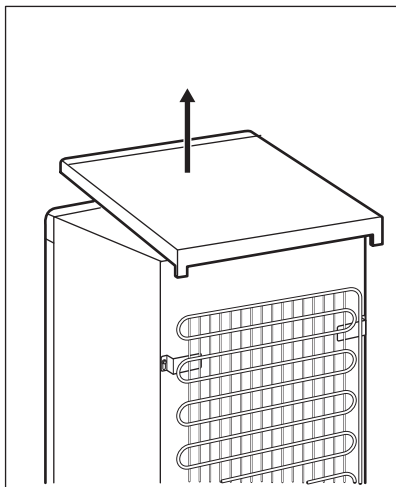
### ACHTUNG!

Die nachfolgend beschriebenen Schritte sollten von mindestens zwei Personen durchgeführt werden, um ein Herunterfallen der Türen zu vermeiden.

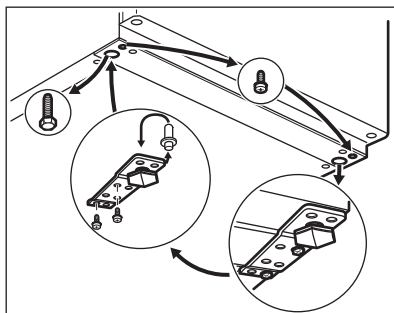
1. Lösen Sie die beiden Schrauben an der Rückseite.



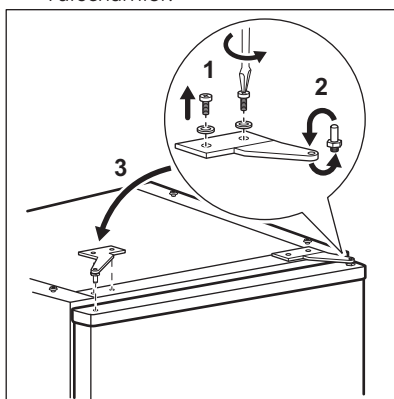
2. Schieben Sie die Arbeitsplatte nach hinten und heben Sie sie an.



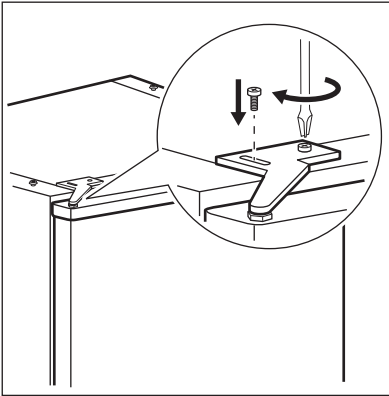
3. Schrauben Sie den linken Standfuß ab.  
 4. Lösen Sie die Schrauben des unteren Türscharniers. Nehmen Sie das Scharnier ab. Stecken Sie es in Pfeilrichtung auf den Stift.



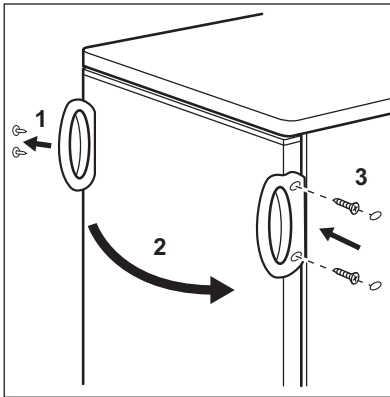
5. Lösen Sie die Schraube und bringen Sie sie an der gegenüberliegenden Seite wieder an.  
 6. Befestigen Sie das Scharnier an der gegenüberliegenden Seite.  
 7. Schrauben Sie den rechten Standfuß an.  
 8. Lösen Sie die Schrauben am oberen Türscharnier.



9. Nehmen Sie das Scharnier ab. Stecken Sie es in Pfeilrichtung auf den Stift. Befestigen Sie das Scharnier an der gegenüberliegenden Seite.



10. Ziehen Sie das Scharnier fest.
11. Platzieren Sie die Arbeitsplatte an der vorgesehenen Position.
12. Schieben Sie diese nach vorn.
13. Schrauben Sie die beiden Schrauben an der Rückseite wieder fest.
14. Entfernen Sie den Griff und bringen Sie ihn an der gegenüberliegenden Seite an.



#### **WARNING!**

Rücken Sie das Gerät wieder an die richtige Stelle und richten Sie es waagrecht aus. Warten Sie mindestens vier Stunden, bevor Sie es wieder an die Stromversorgung anschließen.

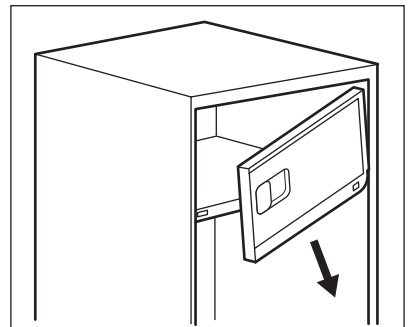
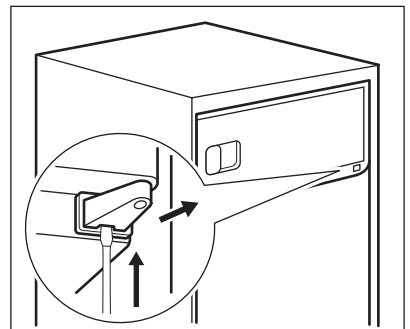


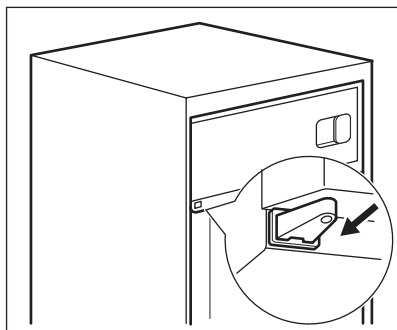
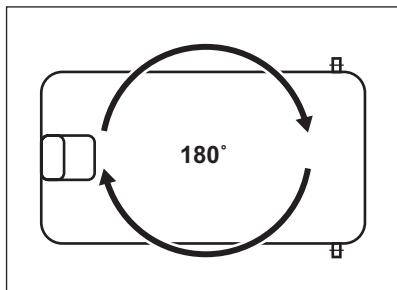
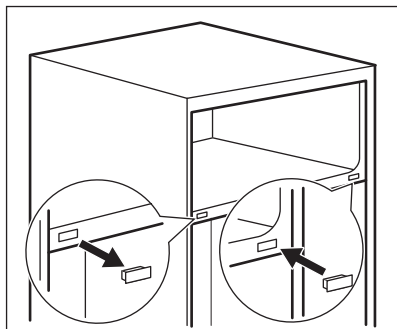
Führen Sie eine Endkontrolle durch, um sicherzustellen, dass:

- Alle Schrauben fest angezogen sind.
- Die Magnetdichtung am Gerät anliegt.
- Die Tür ordnungsgemäß öffnet und schließt.

Bei niedrigen Umgebungstemperaturen (z. B. im Winter) kann es vorkommen, dass die Türdichtung nicht richtig am Gerät anliegt. Warten Sie in diesem Fall ab, bis sich die Dichtung allmählich anpasst. Wenden Sie sich an den Kundendienst, wenn Sie bei den oben beschriebenen Schritten Unterstützung benötigen. Ein Kundendiensttechniker wird die Türen dann auf Ihre Kosten umbauen.

## 9.5 Wechseln des Türanschlags des Gefriergeräts



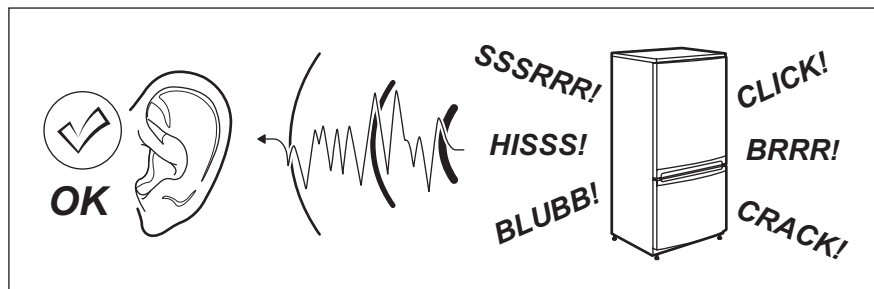


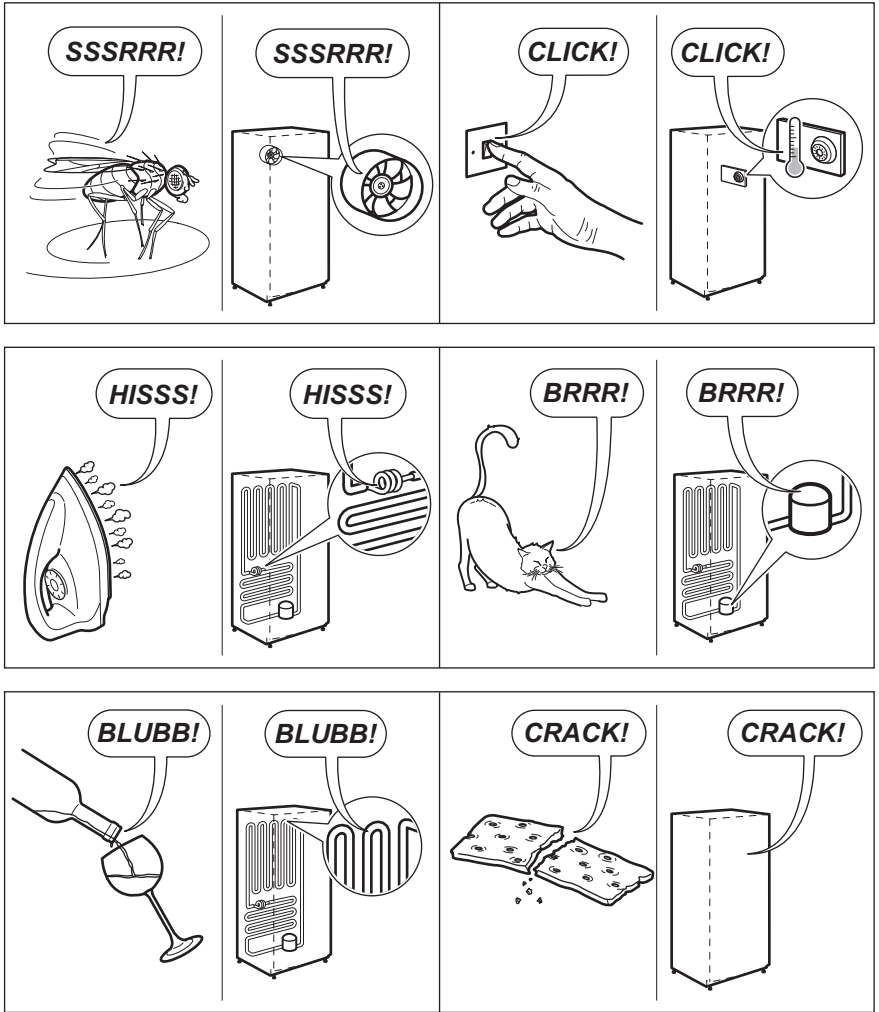
## 9.6 Elektrischer Anschluss

- Kontrollieren Sie vor der ersten Benutzung des Geräts, ob die Netzspannung und -frequenz Ihres Hausanschlusses mit den auf dem Typenschild angegebenen Anschlusswerten übereinstimmen.
- Das Gerät muss geerdet sein. Zu diesem Zweck ist der Netzstecker mit einem Schutzkontakt ausgestattet. Falls die Steckdose Ihres Hausanschlusses nicht geerdet sein sollte, lassen Sie das Gerät gemäß den geltenden Vorschriften von einem qualifizierten Elektriker erden.
- Der Hersteller übernimmt keinerlei Haftung bei Missachtung der vorstehenden Sicherheitshinweise.
- Das Gerät entspricht den EWG-Richtlinien.

## 10. GERÄUSCHE

Während das Gerät in Betrieb ist, entstehen bestimmte Geräusche (Kompressor und Kühlkreislauf).





## 11. TECHNISCHE DATEN

### 11.1 Technische Daten


Höhe	mm	850
Breite	mm	550
Tiefe	mm	612
Lagerzeit bei Störung	Stunden	11


Spannung	Volt	230-240
Frequenz	Hz	50

Die technischen Daten befinden sich auf dem Typenschild auf der rechten

Außenseite des Geräts sowie auf der Energieplakette.

## 12. UMWELTTIPPS

Recyceln Sie Materialien mit dem Symbol . Entsorgen Sie die Verpackung in den entsprechenden Recyclingbehältern. Recyceln Sie zum Umwelt- und Gesundheitsschutz elektrische und elektronische Geräte. Entsorgen Sie

Geräte mit diesem Symbol  nicht mit dem Hausmüll. Bringen Sie das Gerät zu Ihrer örtlichen Sammelstelle oder wenden Sie sich an Ihr Gemeindeamt.

## INDICE

1. INFORMAZIONI PER LA SICUREZZA.....	55
2. ISTRUZIONI DI SICUREZZA.....	56
3. USO DELL'APPARECCHIO.....	58
4. PRIMO UTILIZZO.....	58
5. UTILIZZO QUOTIDIANO.....	59
6. CONSIGLI E SUGGERIMENTI UTILI.....	60
7. PULIZIA E CURA.....	61
8. RISOLUZIONE DEI PROBLEMI.....	63
9. INSTALLAZIONE.....	64
10. RUMORI.....	68
11. DATI TECNICI.....	69

## PER RISULTATI PERFETTI

Grazie per aver scelto di acquistare questo prodotto AEG. Lo abbiamo creato per fornirvi prestazioni impeccabili per molti anni, grazie a tecnologie innovative che vi semplificheranno la vita - funzioni che non troverete sulle normali apparecchiature. Vi invitiamo a dedicare qualche minuto alla lettura del presente manuale, per conoscere come trarre il massimo vantaggio dall'utilizzo della vostra apparecchiatura.

**Visitate il nostro sito web per:**



Ricevere consigli, scaricare i nostri opuscoli, eliminare eventuali anomalie, ottenere informazioni sull'assistenza:

**[www.aeg.com](http://www.aeg.com)**



Registrare il vostro prodotto e ricevere un servizio migliore:

**[www.registeraeg.com](http://www.registeraeg.com)**



Acquistare accessori, materiali di consumo e ricambi originali per la vostra apparecchiatura:


**[www.aeg.com/shop](http://www.aeg.com/shop)**


## SERVIZIO CLIENTI E MANUTENZIONE

Consigliamo sempre l'impiego di ricambi originali.

Quando si contatta il Centro di Assistenza, accertarsi di disporre dei seguenti dati: Modello, PNC, numero di serie.

Le informazioni si trovano sulla targhetta dei dati.

 Avvertenza/Attenzione - Importanti Informazioni per la sicurezza

 Informazioni e suggerimenti generali

 Informazioni sull'ambiente

Con riserva di modifiche.

# 1. ⚠️ INFORMAZIONI PER LA SICUREZZA

Leggere attentamente le istruzioni fornite prima di installare e utilizzare l'apparecchiatura. Il produttore non è responsabile se un'installazione ed un uso non corretto dell'apparecchiatura provocano lesioni e danni. Tenere sempre le istruzioni a portata di mano come riferimento futuro.

## 1.1 Sicurezza dei bambini e delle persone vulnerabili

- Questa apparecchiatura può essere usata da bambini a partire dagli 8 anni e da adulti con limitate capacità fisiche, sensoriali o mentali o con scarsa esperienza o conoscenza sull'uso dell'apparecchiatura, solamente se sorvegliati o se istruiti relativamente all'uso dell'apparecchiatura e se hanno compreso i rischi coinvolti.
- Non consentire ai bambini di giocare con l'apparecchiatura.
- La pulizia e gli interventi di manutenzione non devono essere eseguiti dai bambini senza supervisione.
- Tenere i materiali di imballaggio al di fuori della portata dei bambini.

## 1.2 Avvertenze di sicurezza generali

- L'apparecchiatura è destinata all'uso domestico e applicazioni simili, tra cui:
  - case di campagna; cucine di negozi, uffici e altri ambienti di lavoro
  - clienti di hotel, motel, bed and breakfast e altri ambienti residenziali
- Verificare che le aperture di ventilazione, sia sull'apparecchiatura che nella struttura da incasso, non siano ostruite.
- Non usare dispositivi elettrici o altri mezzi artificiali non raccomandati dal produttore allo scopo di accelerare il processo di sbrinamento.

- Non danneggiare il circuito refrigerante.
- Non utilizzare apparecchiature elettriche all'interno dei compartimenti di conservazione degli alimenti, ad eccezione di quelli consigliati dal costruttore.
- Non nebulizzare acqua né utilizzare vapore per pulire l'apparecchiatura.
- Pulire l'apparecchiatura con un panno inumidito e morbido. Utilizzare solo detergenti neutri. Non usare prodotti abrasivi, spugnette abrasive, solventi od oggetti metallici.
- Non conservare in questa apparecchiatura sostanze esplosive come bombolette spray contenenti un propellente infiammabile.
- Se il cavo di alimentazione è danneggiato, deve essere sostituito dal produttore, da un tecnico autorizzato o da una persona qualificata per evitare situazioni di pericolo.

## 2. ISTRUZIONI DI SICUREZZA

### 2.1 Installazione



#### **ATTENZIONE!**

L'installazione dell'apparecchiatura deve essere eseguita da personale qualificato.

- Rimuovere tutti i materiali di imballaggio.
- Non installare o utilizzare l'apparecchiatura se è danneggiata.
- Attenersi alle istruzioni fornite insieme all'apparecchiatura.
- Prestare sempre attenzione in fase di spostamento dell'apparecchiatura, dato che è molto pesante. Indossare sempre guanti di sicurezza.
- Assicurarci che l'aria possa circolare liberamente attorno all'apparecchiatura.
- Attendere almeno 4 ore prima di collegare l'apparecchiatura all'alimentazione. Questo serve a consentire all'olio di fluire nuovamente nel compressore.

- Non installare l'apparecchiatura in prossimità di radiatori, fornelli, forni o piani di cottura.
- La superficie posteriore dell'apparecchiatura deve essere appoggiata alla parete.
- Non installare l'apparecchiatura dove sia esposta alla luce solare diretta.
- Non installare questa apparecchiatura in luoghi troppo umidi o freddi, come aggiunte strutturali, garage o cantine.
- Quando si sposta l'apparecchiatura, sollevarla dal bordo anteriore, così da non graffiare il pavimento.

### 2.2 Collegamento elettrico



#### **ATTENZIONE!**

Rischio di incendio e scossa elettrica.

- L'apparecchiatura deve disporre di una messa a terra.
- Verificare che i dati elettrici riportati sulla targhetta dei dati corrispondano a quelli dell'impianto. In caso contrario, contattare un elettricista.

- Utilizzare sempre una presa elettrica con contatto di protezione correttamente installata.
- Non utilizzare prese multiple e prolunghes.
- Accertarsi di non danneggiare i componenti elettrici (ad es. la spina di alimentazione, il cavo di alimentazione, il compressore). Contattare il Centro di Assistenza o un elettricista per sostituire i componenti elettrici.
- Il cavo di alimentazione deve rimanere sotto il livello della spina di alimentazione.
- Inserire la spina di alimentazione nella presa solo al termine dell'installazione. Verificare che la spina di alimentazione rimanga accessibile dopo l'installazione.
- Non tirare il cavo di alimentazione per scollegare l'apparecchiatura. Tirare sempre dalla spina.
- Non appoggiare o tenere liquidi o materiali infiammabili, né oggetti facilmente incendiabili sull'apparecchiatura, al suo interno o nelle immediate vicinanze.
- Non toccare il compressore o il condensatore. Sono incandescenti.
- Non togliere o toccare gli oggetti nel vano congelatore con le mani bagnate o umide.
- Non ricongelare del cibo precedentemente scongelato.
- Attenersi alle istruzioni per la conservazione riportate sulla confezione del cibo surgelato.

## 2.3 Utilizzo



### ATTENZIONE!

Rischio di lesioni, scottature o scosse elettriche.

- Non apportare modifiche alle specifiche di questa apparecchiatura.
- Non introdurre apparecchiature elettriche (ad es. gelatiere) nell'apparecchiatura se non specificamente consentito dal produttore.
- Fare attenzione a non danneggiare il circuito refrigerante. Esso contiene isobutano (R600a), un gas naturale con un alto livello di compatibilità ambientale, tuttavia il gas è infiammabile.
- Nel caso di danno al circuito refrigerante, assicurarsi che non si sviluppino fiamme libere e scintille nel locale. Aerare bene l'ambiente.
- Non appoggiare oggetti incandescenti sulle parti in plastica dell'apparecchiatura.
- Non introdurre bevande analcoliche nel vano congelatore. Si verrà a creare una pressione nel contenitore della bevanda.
- Non conservare gas e liquidi infiammabili nell'apparecchiatura.

## 2.4 Luce interna

- Il tipo di lampadina utilizzata per questa apparecchiatura non può essere utilizzato per l'illuminazione domestica

## 2.5 Pulizia e cura



### ATTENZIONE!

Vi è il rischio di ferirsi o danneggiare l'apparecchiatura.

- Prima di eseguire qualunque intervento di manutenzione, spegnere l'apparecchiatura ed estrarre la spina dalla presa.
- L'unità refrigerante di questa apparecchiatura contiene idrocarburi. L'unità deve essere ricaricata ed ispezionata esclusivamente da personale qualificato.
- Controllare regolarmente lo scarico dell'apparecchiatura e, se necessario, pulirlo. L'ostruzione dello scarico può causare un deposito di acqua di sbrinamento sul fondo dell'apparecchiatura.

## 2.6 Smaltimento



### ATTENZIONE!

Rischio di lesioni o soffocamento.

- Staccare la spina dall'alimentazione elettrica.
- Tagliare il cavo di rete e smaltirlo.
- Rimuovere la porta per evitare che bambini e animali domestici

rimangano chiusi all'interno dell'apparecchiatura.

- Il circuito refrigerante e i materiali di isolamento di questa apparecchiatura rispettano l'ozono.
- La schiuma isolante contiene gas infiammabili. Contattare le autorità

locali per ricevere informazioni su come smaltire correttamente l'apparecchiatura.

- Non danneggiare i componenti dell'unità refrigerante che si trovano vicino allo scambiatore di calore.

## 3. USO DELL'APPARECCHIO

### 3.1 Accensione

Inserire la spina nella presa.

Impostare il regolatore di temperatura a un livello medio, ruotandolo in senso orario.

### 3.2 Spegnimento

Per spegnere l'apparecchiatura, ruotare il regolatore di temperatura in posizione "O".

### 3.3 Regolazione della temperatura

La temperatura viene regolata automaticamente.

Per mettere in funzione l'apparecchiatura, procedere come segue:

- impostare il regolatore di temperatura a un livello basso per ottenere un raffreddamento minimo.
- ruotare il regolatore di temperatura verso le impostazioni superiori per aumentare l'intensità del raffreddamento.



In condizioni normali, si consiglia di utilizzare una regolazione media.

Tuttavia, è importante ricordare che la temperatura all'interno dell'apparecchiatura dipende dai seguenti fattori:

- temperatura ambiente
- frequenza di apertura del coperchio
- quantità di alimenti conservati
- posizione dell'apparecchiatura.



Se la temperatura ambiente è elevata o l'apparecchiatura è a pieno carico e l'apparecchiatura è impostata sulla temperatura minima, questa potrebbe rimanere attiva ininterrottamente formando della brina sulla parete posteriore. In questo caso, impostare una temperatura più elevata per consentire lo sbrinamento automatico e ridurre così il consumo di energia.

## 4. PRIMO UTILIZZO

### 4.1 Pulizia dell'interno

Prima di utilizzare l'apparecchiatura per la prima volta, lavare l'interno e gli accessori con acqua tiepida e sapone neutro per eliminare il tipico odore dei prodotti nuovi, quindi asciugare accuratamente.



#### **AVVERTENZA!**

Non usare detergenti corrosivi o polveri abrasive che possano danneggiare la finitura.

## 5. UTILIZZO QUOTIDIANO



### ATTENZIONE!

Fare riferimento ai capitoli sulla sicurezza.

### 5.1 Congelamento di alimenti freschi

Lo scomparto congelatore è adatto al congelamento di alimenti freschi e alla conservazione a lungo termine di alimenti congelati e surgelati.

Per congelare i cibi freschi è possibile mantenere la regolazione media.

Tuttavia, per ottenere un congelamento più rapido, è possibile impostare il regolatore di temperatura a un livello più alto per aumentare l'intensità di raffreddamento.



### AVVERTENZA!

In questa condizione la temperatura dello scomparto del frigorifero potrebbe scendere al di sotto di 0°C. Qualora ciò accadesse, è necessario reimpostare la temperatura a un livello più alto.

### 5.2 Conservazione dei surgelati

Al primo avvio o dopo un periodo di non utilizzo, lasciare in funzione l'apparecchiatura per almeno 2 ore con una regolazione alta prima di introdurre gli alimenti.



Se si verifica un'interruzione della corrente elettrica di durata superiore al "tempo di risalita" indicato nella tabella dei dati tecnici, il cibo scongelato deve essere consumato rapidamente o cucinato immediatamente e quindi ricongelato (dopo il raffreddamento).

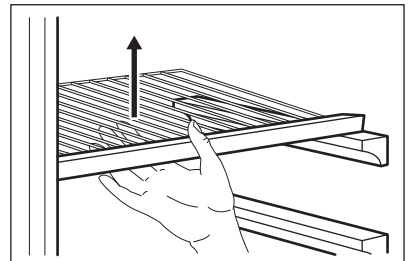
### 5.3 Scongelamento

Prima dell'utilizzo, i cibi surgelati o congelati possono essere scongelati nel vano frigorifero o, per un processo più veloce, a temperatura ambiente.

Gli alimenti divisi in piccole porzioni possono essere cucinati direttamente, senza essere prima scongelati: in questo caso, tuttavia, la cottura durerà più a lungo.

### 5.4 Ripiani rimovibili

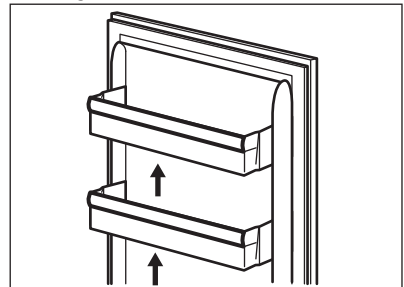
Le guide presenti sulle pareti del frigorifero permettono di posizionare i ripiani a diverse altezze.



### 5.5 Posizionamento dei ripiani della porta

Per facilitare l'introduzione di alimenti di diverse dimensioni, i ripiani della porta possono essere posizionati ad altezze differenti.

1. Tirare gradualmente il ripiano nella direzione indicata dalle frecce fino a sbloccarlo.
2. Regolare secondo necessità.



## 6. CONSIGLI E SUGGERIMENTI UTILI

### 6.1 Rumori normali durante il funzionamento

I seguenti rumori sono da considerarsi normali:

- Un gorgoglio o borbottio dalle serpentine quando viene pompato il refrigerante.
- Un ronzio o un rumore pulsante dal compressore quando viene pompato il refrigerante.
- Uno schiocco improvviso dall'interno dell'apparecchiatura causato dalla dilatazione termica (fenomeno fisico naturale e non pericoloso).
- Un lieve scatto dal regolatore della temperatura quando il compressore si accende e si spegne.

### 6.2 Consigli per il risparmio energetico

- Non aprire frequentemente la porta e limitare il più possibile i tempi di apertura.
- Se la temperatura ambiente è elevata, il regolatore della temperatura è impostato su un valore basso e l'apparecchiatura è a pieno carico, il compressore può funzionare in maniera ininterrotta, causando la formazione di brina o di ghiaccio sull'evaporatore. In tal caso, ruotare il regolatore della temperatura verso temperature più calde per consentire lo sbrinamento automatico e ridurre il consumo energetico.
- Se previsti, non rimuovere gli accumulatori di freddo dal cestello del congelatore.

### 6.3 Consigli per la refrigerazione dei cibi freschi

Per ottenere risultati ottimali:

- non introdurre alimenti o liquidi caldi nel vano frigorifero
- coprire o avvolgere gli alimenti, in particolare quelli con un gusto o un aroma forte
- disporre gli alimenti in modo da garantire un'adeguata circolazione dell'aria

### 6.4 Consigli per la refrigerazione

Consigli utili:

- Carne (tutti i tipi): deve essere avvolta in sacchetti di polietilene e collocata sul ripiano di vetro, sopra il cassetto delle verdure.
- La carne conservata in questo modo deve essere consumata entro uno o due giorni.
- Alimenti cotti, piatti freddi, ecc.: devono essere coperti e possono essere disposti su qualsiasi ripiano.
- Frutta e verdura: devono essere pulite accuratamente e poste negli appositi cassette.
- Burro e formaggio: devono essere chiusi in contenitori ermetici o in sacchetti di polietilene oppure avvolti con pellicola di alluminio, per limitare il più possibile il contatto con l'aria.
- Bottiglie: con il tappo ben chiuso, possono essere riposte sulla sul ripiano bottiglie della porta.
- Non conservare in frigorifero banane, patate, cipolle o aglio non confezionati.

### 6.5 Consigli per il congelamento

Consigli importanti per un congelamento ottimale:

- la quantità massima di cibo che può essere congelata in 24 ore è riportata sulla targhetta dei dati;
- il processo di congelamento richiede 24 ore. Finché non è concluso, non aggiungere altro cibo da congelare;
- congelare solo alimenti freschi, di ottima qualità e accuratamente lavati;
- dividere gli alimenti in piccole porzioni, in modo da facilitare un congelamento rapido e consentire lo scongelamento solo della quantità necessaria;
- avvolgere gli alimenti in pellicola di alluminio o polietilene in modo da evitare il contatto con l'aria;
- non disporre gli alimenti freschi a contatto con quelli già congelati, per

- evitare l'innalzamento della temperatura di questi ultimi;
- gli alimenti magri si conservano meglio e più a lungo di quelli ricchi di grassi. Il sale riduce la durata di conservazione dell'alimento;
- i ghiaccioli, se consumati appena prelevati dal vano congelatore, possono causare ustioni da freddo;
- è consigliabile riportare su ogni confezione la data di congelamento, in modo da poter controllare il tempo di conservazione.

## 6.6 Consigli per la conservazione dei surgelati

Per ottenere risultati ottimali è consigliabile:

- controllare che i surgelati esposti nei punti vendita non presentino segni di interruzione della catena del freddo;
- accertarsi che il tempo di trasferimento dei surgelati dal punto vendita al congelatore domestico sia il più breve possibile;
- non aprire frequentemente la porta e limitare il più possibile i tempi di apertura;
- una volta scongelati, gli alimenti si deteriorano rapidamente e non possono essere ricongelati;
- non superare la durata di conservazione indicata sulla confezione.

# 7. PULIZIA E CURA



### ATTENZIONE!

Fare riferimento ai capitoli sulla sicurezza.

## 7.1 Avvertenze generali



### AVVERTENZA!

Prima di qualsiasi intervento di manutenzione, estrarre la spina dalla presa.



Questa apparecchiatura contiene idrocarburi nell'unità di raffreddamento, pertanto le operazioni di manutenzione e ricarica devono essere eseguite esclusivamente da personale autorizzato.



Gli accessori e i componenti dell'apparecchiatura non sono lavabili in lavastoviglie.

## 7.2 Pulizia periodica



### AVVERTENZA!

Evitare di tirare, spostare o danneggiare tubi e/o cavi all'interno dell'apparecchiatura.



Prestare attenzione a non danneggiare il sistema refrigerante.

Quando si sposta l'apparecchiatura, sollevarla per il bordo anteriore, così da non graffiare il pavimento.

L'apparecchiatura deve essere pulita regolarmente:

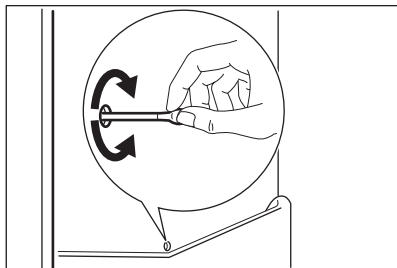
1. Lavare l'interno e gli accessori con acqua tiepida e sapone neutro.
2. Ispezionare regolarmente le guarnizioni della porta ed eliminare con un panno umido tracce di sporco e residui.
3. Risciacquare e asciugare accuratamente.
4. Pulire il condensatore e il compressore sul retro dell'apparecchiatura con una spazzola.  
Questa operazione migliorerà le prestazioni dell'apparecchiatura riducendone i consumi di energia.

## 7.3 Sbrinamento del frigorifero

Durante l'uso normale, la brina viene eliminata automaticamente dall'evaporatore del vano frigorifero ogni volta che il motore compressore si arresta.

L'acqua di sbrinamento giunge attraverso un condotto in un apposito recipiente posto sul retro dell'apparecchiatura, sopra il motore-compressore, dove evapora.

È importante pulire periodicamente il foro di scarico dell'acqua di sbrinamento, situato al centro del canale sulla parete posteriore, per evitare che l'acqua fuoriesca sugli alimenti.



## 7.4 Sbrinamento del congelatore



### AVVERTENZA!

Per rimuovere la brina dall'evaporatore, non usare utensili metallici appuntiti che possano danneggiarlo. Non usare dispositivi meccanici o altri mezzi artificiali non raccomandati dal produttore allo scopo di accelerare il processo di sbrinamento. Un aumento della temperatura dei surgelati durante lo sbrinamento può ridurre la loro durata di conservazione.



Circa 12 ore prima dello sbrinamento, impostare una temperatura più bassa per accumulare una riserva di freddo sufficiente per l'interruzione del funzionamento.

È normale che sui ripiani del congelatore e intorno allo scomparto superiore si formi, col tempo, uno strato di brina.

Quando tale strato raggiunge uno spessore di circa 3 - 5 mm, è necessario procedere allo sbrinamento del vano congelatore.

1. Spegnerne l'apparecchiatura o estrarre la spina della presa a parete.
2. Rimuovere i surgelati, avvolgerli in alcuni strati di carta di giornale e riporli in un luogo fresco.



### ATTENZIONE!

Non toccare il cibo congelato con le mani bagnate. Le mani potrebbero aderire all'alimento congelato.

3. Lasciare la porta aperta. Per accelerare il processo di sbrinamento, collocare un recipiente di acqua calda nel vano congelatore. Rimuovere inoltre i pezzi di ghiaccio che si staccano prima che lo sbrinamento sia completo.
4. Una volta completato lo sbrinamento, asciugare accuratamente l'interno.
5. Accendere l'apparecchiatura. Dopo tre ore reintrodurre nel vano congelatore gli alimenti precedentemente rimossi.

## 7.5 Periodi di non utilizzo

Se l'apparecchiatura non viene utilizzata per un lungo periodo, adottare le seguenti precauzioni:

1. Scollegare l'apparecchiatura dalla rete elettrica.
2. Estrarre tutti gli alimenti
3. Sbrinare (se necessario) e pulire l'apparecchiatura e tutti gli accessori.
4. Lasciare la porta/le porte socchiusa/e per evitare la formazione di odori sgradevoli.



### ATTENZIONE!

Se l'apparecchiatura rimane accesa, farla controllare periodicamente per evitare che gli alimenti si deteriorino in caso di interruzione della corrente elettrica.

## 8. RISOLUZIONE DEI PROBLEMI



### ATTENZIONE!

Fare riferimento ai capitoli sulla sicurezza.

### 8.1 Cosa fare se...

Problema	Causa possibile	Soluzione
L'apparecchiatura non funziona.	L'apparecchiatura è spenta.	Accendere l'apparecchiatura.
	La spina non è inserita correttamente nella presa di alimentazione.	Inserire correttamente la spina nella presa di alimentazione.
	Assenza di tensione nella presa di alimentazione.	Collegare alla presa di alimentazione un'altra apparecchiatura elettrica. Rivolgersi ad un elettricista qualificato.
L'apparecchiatura è rumorosa.	L'apparecchiatura non è appoggiata in modo corretto.	Controllare se l'apparecchiatura è appoggiata in modo stabile.
La lampadina non si accende.	La lampadina è in modalità stand-by.	Chiudere e riaprire la porta.
	La lampadina è difettosa.	Fare riferimento alla sezione "Sostituzione della lampadina".
Il compressore rimane sempre in funzione.	La temperatura impostata non è corretta.	Fare riferimento al capitolo "Uso dell'apparecchiatura".
	Sono stati introdotti insieme molti alimenti da surgelare.	Attendere alcune ore e ricontrollare la temperatura.
	La temperatura ambiente è troppo alta.	Fare riferimento al grafico della classe climatica sulla targhetta dei dati.
	Gli alimenti introdotti nell'apparecchiatura erano troppo caldi.	Lasciar raffreddare gli alimenti a temperatura ambiente prima di introdurli.
All'interno del frigorifero scorre acqua.	Lo scarico dell'acqua è ostruito.	Pulire lo scarico dell'acqua.
	Gli alimenti impediscono all'acqua di scorrere nell'apposito collettore.	Evitare di disporre gli alimenti direttamente contro la parete posteriore.

Problema	Causa possibile	Soluzione
La porta non è allineata o interferisce con la griglia di ventilazione.	L'apparecchiatura non è correttamente livellata.	Fare riferimento alla sezione "Livellamento".
La temperatura all'interno dell'apparecchiatura è troppo bassa/troppo alta.	Il regolatore della temperatura non è impostato correttamente.	Impostare una temperatura superiore/inferiore.
	La porta non è chiusa correttamente.	Consultare la sezione "Chiusura della porta".
	La temperatura degli alimenti è troppo alta.	Prima di introdurre gli alimenti, lasciarli raffreddare a temperatura ambiente.
	Sono stati introdotti molti alimenti contemporaneamente.	Introdurre gli alimenti un poco alla volta.
	La porta viene aperta frequentemente.	Aprire la porta solo se necessario.

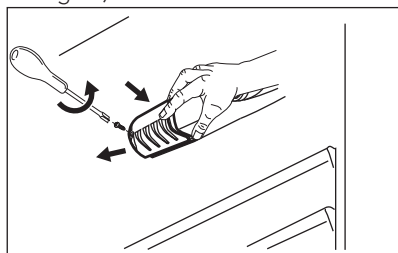


Se il consiglio non dà risultati, contattare il Centro di Assistenza più vicino.

## 8.2 Sostituzione della lampadina

Estrarre la spina dalla presa di corrente.

1. Rimuovere la vite dal coprilampada.
2. Rimuovere il coprilampada (vedere la figura).



3. Sostituire la lampadina con una nuova della stessa potenza (la

potenza massima è indicata sul coprilampada) concepita in modo specifico per elettrodomestici.

4. Installare il coprilampada.
5. Serrare la vite del coprilampada.
6. Inserire la spina nella presa.
7. Aprire la porta.

Controllare che la luce si accenda.

## 8.3 Chiusura della porta

1. Pulire le guarnizioni della porta.
2. Se necessario, regolare la porta. Fare riferimento alla sezione "Installazione".
3. Se necessario, sostituire le guarnizioni difettose. Contattare il Centro di Assistenza.

# 9. INSTALLAZIONE



### ATTENZIONE!

Fare riferimento ai capitoli sulla sicurezza.

## 9.1 Luogo d'installazione

Installare l'apparecchiatura in un luogo asciutto, ben ventilato, la cui

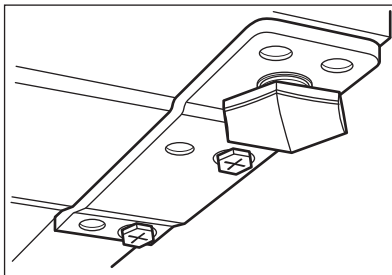
temperatura ambiente corrisponda alla classe climatica indicata sulla targhetta dei dati del modello:

Classe climatica	Temperatura ambiente
SN	da +10°C a +32°C
N	da +16°C a +32°C
ST	da +16°C a +38°C
T	da +16°C a +43°C

**i** In alcuni modelli potrebbero verificarsi delle anomalie se non si rispettano le temperature indicate. Il corretto funzionamento può essere garantito solo nel rispetto delle temperature indicate. In caso di dubbi sul luogo di installazione dell'apparecchiatura, contattare il venditore, il nostro Centro di Assistenza o il rivenditore più vicino

## 9.2 Livellamento

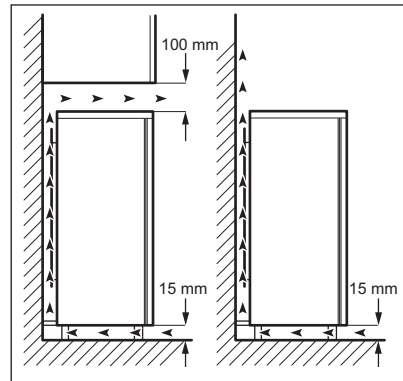
L'apparecchiatura deve trovarsi perfettamente in piano. Per correggere gli eventuali dislivelli è possibile regolare in altezza i due piedini anteriori.



## 9.3 Ubicazione

**i** L'apparecchiatura deve poter essere scollegabile dalla presa di corrente; pertanto, al termine dell'installazione, la spina deve essere facilmente accessibile.

L'apparecchiatura deve essere installata lontano da fonti di calore come per esempio termosifoni, boiler, luce solare diretta, ecc. Verificare che sul lato posteriore sia garantita un'adeguata circolazione dell'aria. Per ottenere prestazioni ottimali, se l'apparecchiatura è installata sotto un pensile, si raccomanda di mantenere una distanza minima di 100 mm tra quest'ultimo e lo spigolo superiore dell'apparecchiatura. Se possibile, tuttavia, evitare di installare l'apparecchiatura sotto un pensile. Per consentire un perfetto livellamento dell'apparecchiatura sono disponibili uno o più piedini regolabili.



## 9.4 Possibilità di invertire la porta



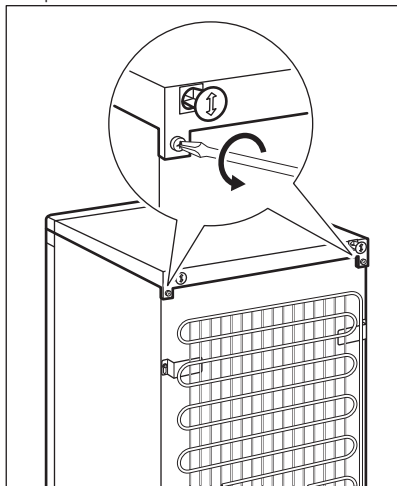
### ATTENZIONE!

Prima di eseguire le operazioni descritte, estrarre la spina dalla presa di corrente.

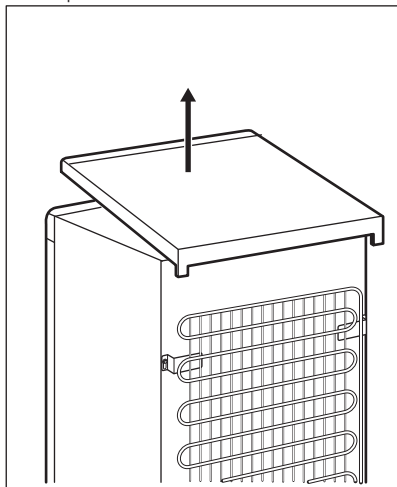
**AVVERTENZA!**

Per effettuare le seguenti operazioni, si raccomanda di farsi aiutare da un'altra persona che tenga ben ferme le porte dell'apparecchiatura.

1. Estrarre le due viti situate sul lato posteriore.

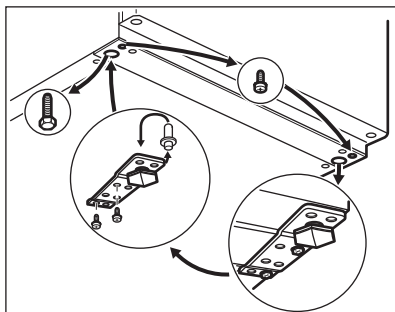


2. Spingere all'indietro la copertura superiore e sollevarla.

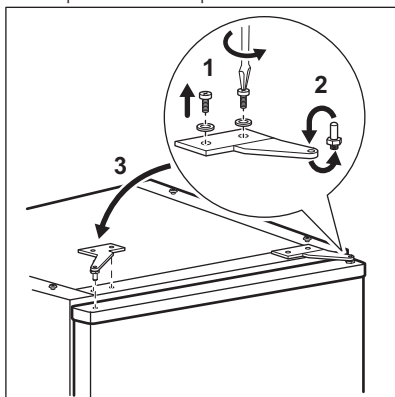


3. Svitare il piedino sinistro.
4. Rimuovere le viti dalla cerniera inferiore della porta. Rimuovere la

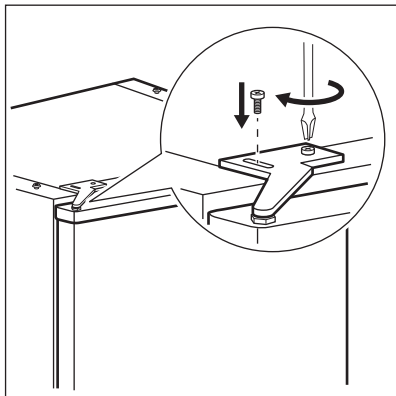
cerniera. Inserire il perno nella direzione della freccia.



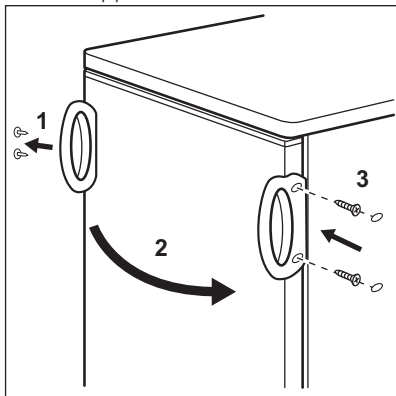
5. Rimuovere la vite e installarla sul lato opposto.
6. Installare la cerniera sul lato opposto.
7. Avvitare il piedino destro.
8. Rimuovere le viti dalla cerniera superiore della porta.



9. Rimuovere la cerniera. Inserire il perno nella direzione della freccia. Installare la cerniera sul lato opposto.



10. Fissare la cerniera.
11. Riapplicare la copertura superiore.
12. Premere sul lato anteriore della copertura.
13. Stringere le due viti sul lato posteriore.
14. Rimuovere la maniglia e installarla sul lato opposto.



### ATTENZIONE!

Riposizionare l'apparecchiatura, livellarla, attendere almeno quattro ore e inserire la spina nella presa.



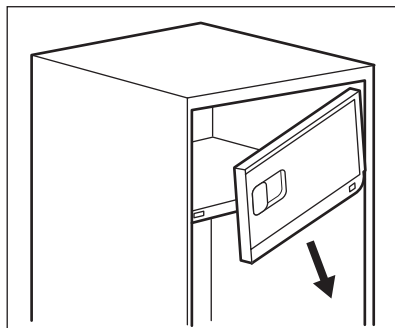
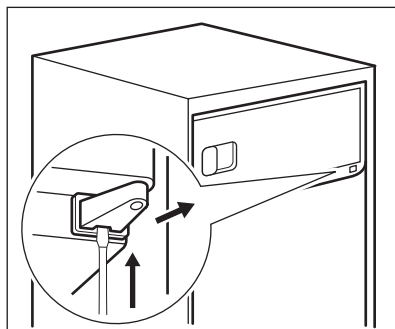
Eseguire un controllo finale per accertarsi che:

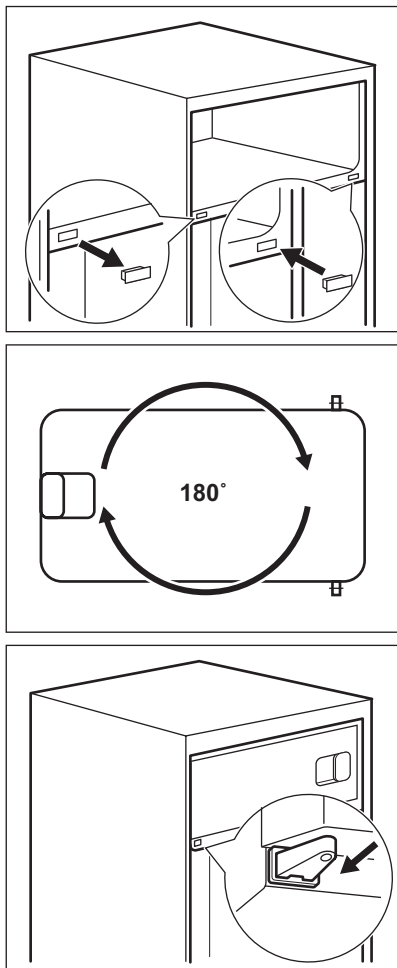
- tutte le viti siano serrate.
- la guarnizione magnetica aderisca all'unità.
- la porta si apra e si chiuda correttamente.

Se la temperatura ambiente è bassa (ad esempio in inverno), è possibile che la guarnizione non aderisca perfettamente all'apparecchiatura. In tal caso, attendere che aderisca naturalmente.

Per chi preferisce non eseguire direttamente le operazioni sopra descritte, consigliamo di rivolgersi al Centro di Assistenza più vicino. L'intervento di inversione delle porte, eseguito dai tecnici del servizio post-vendita, sarà a carico dell'utente.

## 9.5 Possibilità di invertire la porta del congelatore



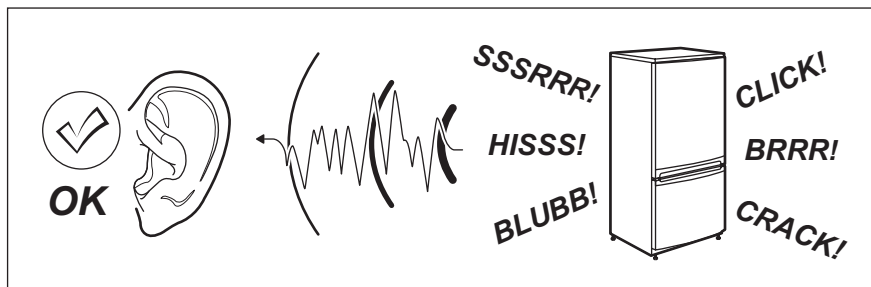


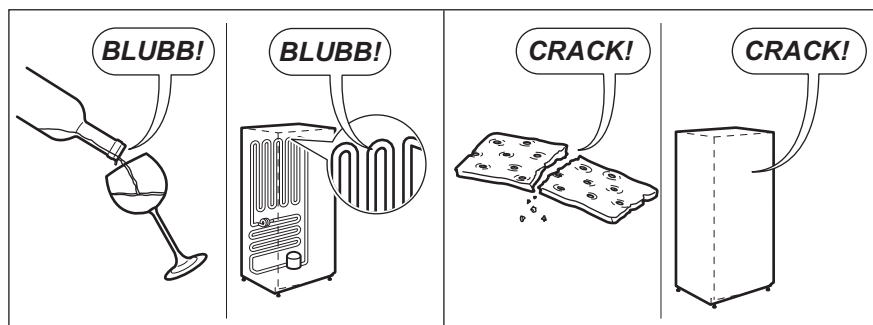
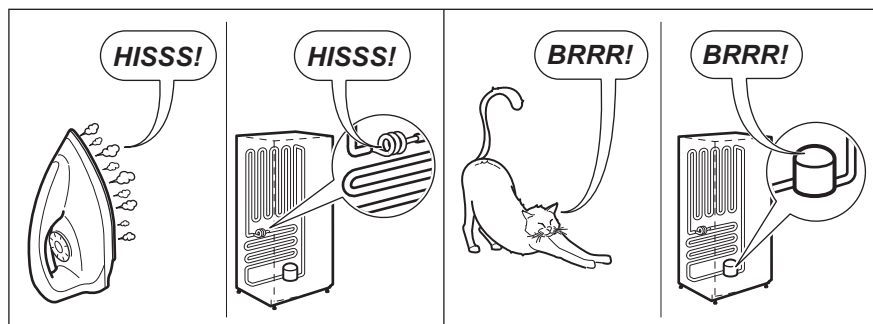
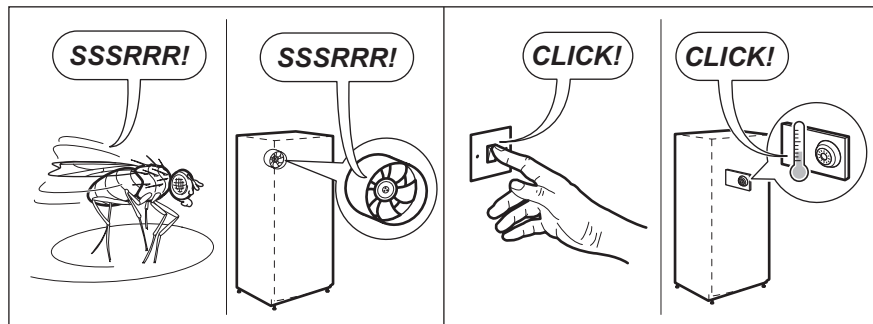
## 9.6 Collegamento elettrico

- Prima di inserire la spina, verificare che la tensione e la frequenza riportate sulla targhetta dei dati corrispondano a quelle dell'impianto domestico.
- L'apparecchiatura deve disporre di una messa a terra. La spina del cavo di alimentazione è dotata di un apposito contatto. Se la presa di corrente dell'impianto domestico non è collegata a terra, allacciare l'apparecchiatura a una presa di terra separata in conformità alle norme in vigore, rivolgendosi a un elettricista qualificato.
- Il produttore declina ogni responsabilità qualora le suddette precauzioni di sicurezza non vengano rispettate.
- Questa apparecchiatura è conforme alle direttive CEE.

## 10. RUMORI

Durante l'uso, alcuni rumori di funzionamento (come quelli del compressore o del circuito refrigerante) sono da considerarsi normali.





## 11. DATI TECNICI

### 11.1 Dati tecnici


Altezza	mm	850
Larghezza	mm	550
Profondità	mm	612
Tempo di risalita	Ore	11


Tensione	Volt	230-240
Frequenza	Hz	50

I dati tecnici sono riportati sulla targhetta dei dati applicata sul lato interno destro

dell'apparecchiatura e sull'etichetta dei valori energetici.

## 12. CONSIDERAZIONI SULL'AMBIENTE

Riciclare i materiali con il simbolo .  
Buttare l'imballaggio negli appositi contenitori per il riciclaggio. Aiutare a proteggere l'ambiente e la salute umana e a riciclare rifiuti derivanti da apparecchiature elettriche ed elettroniche. Non smaltire le

apparecchiature che riportano il simbolo  insieme ai normali rifiuti domestici. Portare il prodotto al punto di riciclaggio più vicino o contattare il comune di residenza.



[www.aeg.com/shop](http://www.aeg.com/shop)



212000773-A-262014

