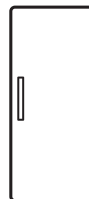


EN	User Manual	2
	Refrigerator	
FR	Notice d'utilisation	16
	Réfrigérateur	
DE	Benutzerinformation	31
	Kühlschrank	
IT	Istruzioni per l'uso	46
	Frigorifero	

S41600TSW2



CONTENTS

1. SAFETY INFORMATION.....	3
2. SAFETY INSTRUCTIONS.....	4
3. OPERATION.....	5
4. FIRST USE.....	6
5. DAILY USE.....	6
6. HINTS AND TIPS.....	7
7. CARE AND CLEANING.....	7
8. TROUBLESHOOTING.....	8
9. INSTALLATION.....	10
10. NOISES.....	13
11. TECHNICAL INFORMATION.....	15

FOR PERFECT RESULTS

Thank you for choosing this AEG product. We have created it to give you impeccable performance for many years, with innovative technologies that help make life simpler features you might not find on ordinary appliances. Please spend a few minutes reading to get the very best from it.

Visit our website for:



Get usage advice, brochures, trouble shooter, service information:
www.aeg.com



Register your product for better service:
www.registeraeg.com



Buy Accessories, Consumables and Original spare parts for your appliance:
www.aeg.com/shop

CUSTOMER CARE AND SERVICE

Always use original spare parts.

When contacting our Authorised Service Centre, ensure that you have the following data available: Model, PNC, Serial Number.

The information can be found on the rating plate.



Warning / Caution-Safety information



General information and tips



Environmental information

Subject to change without notice.

1. ⚠ SAFETY INFORMATION

Before the installation and use of the appliance, carefully read the supplied instructions. The manufacturer is not responsible if an incorrect installation and use causes injuries and damages. Always keep the instructions with the appliance for future reference.

1.1 Children and vulnerable people safety

- This appliance can be used by children aged from 8 years and above and persons with reduced physical, sensory or mental capabilities or lack of experience and knowledge if they have been given supervision or instruction concerning use of the appliance in a safe way and understand the hazards involved.
- Do not let children play with the appliance.
- Cleaning and user maintenance shall not be made by children without supervision.
- Keep all packaging away from children.

1.2 General Safety

- This appliance is intended to be used in household and similar applications such as:
 - Farm houses; staff kitchen areas in shops, offices and other working environments
 - By clients in hotels, motels, bed and breakfast and other residential type environments
- Keep ventilation openings, in the appliance enclosure or in the built-in structure, clear of obstruction.
- Do not use mechanical devices or other means to accelerate the defrosting process, other than those recommended by the manufacturer.
- Do not damage the refrigerant circuit.
- Do not use electrical appliances inside the food storage compartments of the appliance, unless they are of the type recommended by the manufacturer.

- Do not use water spray and steam to clean the appliance.
- Clean the appliance with a moist soft cloth. Only use neutral detergents. Do not use abrasive products, abrasive cleaning pads, solvents or metal objects.
- Do not store explosive substances such as aerosol cans with a flammable propellant in this appliance.
- If the supply cord is damaged, it must be replaced by the manufacturer, its service agent or similarly qualified persons in order to avoid a hazard.

2. SAFETY INSTRUCTIONS

2.1 Installation



WARNING!

Only a qualified person must install this appliance.

- Remove all the packaging.
- Do not install or use a damaged appliance.
- Obey the installation instruction supplied with the appliance.
- Always be careful when you move the appliance because it is heavy. Always wear safety gloves.
- Make sure the air can circulate around the appliance.
- Wait at least 4 hours before connecting the appliance to the power supply. This is to allow the oil to flow back in the compressor.
- Do not install the appliance close to radiators or cookers, oven or hobs.
- The rear of the appliance must stand against the wall.
- Do not install the appliance where there is direct sunlight.
- Do not install this appliance in areas that are too humid or too colds, such as the construction appendices, garages or wine cellars.
- When you move the appliance, lift it by the front edge to avoid scratching the floor.

2.2 Electrical connection



WARNING!

Risk of fire and electrical shock.

- The appliance must be earthed.
- Make sure that the electrical information on the rating plate agrees with the power supply. If not contact an electrician.
- Always use a correctly installed shockproof socket.
- Do not use multi-plug adapters and extension cables.
- Make sure not to cause damage to the electrical components (e.g. mains plug, mains cable, compressor). Contact the Service or an electrician to change the electrical components.
- The mains cable must stay below the level of the mains plug.
- Connect the mains plug to the mains socket only at the end of the installation. Make sure that there is access to the mains plug after the installation.
- Do not pull the mains cable to disconnect the appliance. Always pull the mains plug.

2.3 Use



WARNING!

Risk of injury, burns, electrical shock or fire.

- Do not change the specification of this appliance.
 - Do not put electrical appliances (e.g. ice cream makers) in the appliance unless they are stated applicable by the manufacturer.
 - Be careful not to cause damage to the refrigerant circuit. It contains isobutane (R600a), a natural gas with a high level of environmental compatibility. This gas is flammable.
 - If damage occurs to the refrigerant circuit, make sure that there are no flames and sources of ignition in the room. Ventilate the room.
 - Do not let hot items to touch the plastic parts of the appliance.
 - Do not store flammable gas and liquid in the appliance.
 - Do not put flammable products or items that are wet with flammable products in, near or on the appliance.
 - Do not touch the compressor or the condenser. They are hot.
- Before maintenance, deactivate the appliance and disconnect the mains plug from the mains socket.
 - This appliance contains hydrocarbons in the cooling unit. Only a qualified person must do the maintenance and the recharging of the unit.
 - Regularly examine the drain of the appliance and if necessary, clean it. If the drain is blocked, defrosted water collects in the bottom of the appliance.

2.6 Disposal



WARNING!

Risk of injury or suffocation.

- Disconnect the appliance from the mains supply.
- Cut off the mains cable and discard it.
- Remove the door to prevent children and pets to be closed inside of the appliance.
- The refrigerant circuit and the insulation materials of this appliance are ozone-friendly.
- The insulation foam contains flammable gas. Contact your municipal authority for information on how to discard the appliance correctly.
- Do not cause damage to the part of the cooling unit that is near the heat exchanger.

2.4 Internal light

- The type of lamp used for this appliance is not suitable for household room illumination

2.5 Care and cleaning



WARNING!

Risk of injury or damage to the appliance.

3. OPERATION

3.1 Switching on

Insert the electrical plug into a wall socket.

Turn the temperature regulator clockwise to a medium setting.

3.2 Switching off

To turn off the appliance, turn the temperature regulator to the "O" position.

3.3 Temperature regulation

The temperature is automatically regulated.

To operate the appliance, proceed as follows:

- turn the Temperature regulator towards lower settings to obtain the minimum coldness.
- turn the Temperature regulator towards higher settings to obtain the maximum coldness.



A medium setting is generally the most suitable.

However, the exact setting should be chosen keeping in mind that the temperature inside the appliance depends on:

- room temperature

- how often the lid is opened
- the quantity of food stored
- the location of the appliance.



If the ambient temperature is high or the appliance is fully loaded, and the appliance is set to the lowest temperature, it may run continuously causing frost to form on the rear wall. In this case the dial must be set to a higher temperature to allow automatic defrosting and therefore reduced energy consumption.

4. FIRST USE

4.1 Cleaning the interior

Before using the appliance for the first time, the interior and all internal accessories should be washed with lukewarm water and some neutral soap to remove the typical smell of a brand-new product, then dried thoroughly.



CAUTION!

Do not use detergents or abrasive powders, as these will damage the finish.

5. DAILY USE

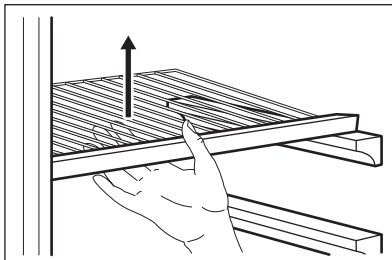


WARNING!

Refer to Safety chapters.

5.1 Movable shelves

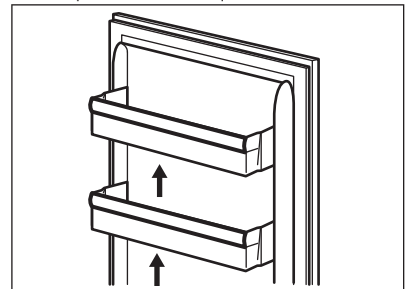
The walls of the refrigerator are equipped with a series of runners so that the shelves can be positioned as desired.



5.2 Positioning the door shelves

To permit storage of food packages of various sizes, the door shelves can be placed at different heights.

1. Gradually pull the shelf in the direction of the arrows until it comes free.
2. Reposition as required.



6. HINTS AND TIPS

6.1 Normal operating sounds

The following sounds are normal during operation:

- A faint gurgling and bubbling sound from coils sound when refrigerant is pumped.
- A whirring and pulsating sound from the compressor when refrigerant is pumped.
- A sudden cracking noise from inside appliance caused by thermic dilatation (a natural and not dangerous physical phenomenon).
- A faint click noise from the temperature regulator when the compressor switches on or off.

6.2 Hints for energy saving

- Do not open the door frequently or leave it open longer than absolutely necessary.
- If the ambient temperature is high and the Temperature Regulator is set to low temperature and the appliance is fully loaded, the compressor may run continuously, causing frost or ice on the evaporator. If this happens, set the Temperature Regulator toward warmer settings to allow automatic defrosting and so a saving in electricity consumption.

6.3 Hints for fresh food refrigeration

To obtain the best performance:

- do not store warm food or evaporating liquids in the refrigerator
- do cover or wrap the food, particularly if it has a strong flavour
- position food so that air can circulate freely around it

6.4 Hints for refrigeration

Useful hints:

- Meat (all types) : wrap in polythene bags and place on the glass shelf above the vegetable drawer.
- For safety, store in this way only one or two days at the most.
- Cooked foods, cold dishes, etc...: these should be covered and may be placed on any shelf.
- Fruit and vegetables: these should be thoroughly cleaned and placed in the special drawer(s) provided.
- Butter and cheese: these should be placed in special airtight containers or wrapped in aluminium foil or polythene bags to exclude as much air as possible.
- Bottles: these need a cap and should be stored on the door bottle shelf, or (if equipped) on the bottle rack.
- Bananas, potatoes, onions and garlic, if not packed, must not be kept in the refrigerator.

7. CARE AND CLEANING



WARNING!
Refer to Safety chapters.

7.1 General warnings



CAUTION!
Unplug the appliance before carrying out any maintenance operation.



This appliance contains hydrocarbons in its cooling unit; maintenance and recharging must therefore only be carried out by authorized technicians.



The accessories and parts of the appliance are not suitable for washing in a dishwasher.

7.2 Periodic cleaning



CAUTION!

Do not pull, move or damage any pipes and/or cables inside the cabinet.



CAUTION!

Take care of not to damage the cooling system.



CAUTION!

When moving the cabinet, lift it by the front edge to avoid scratching the floor.

The equipment has to be cleaned regularly:

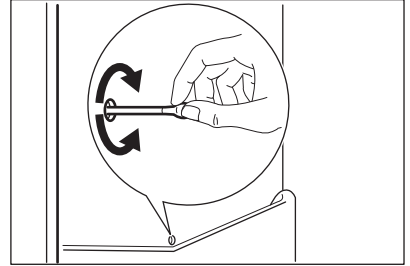
1. Clean the inside and accessories with lukewarm water and some neutral soap.
2. Regularly check the door seals and wipe clean to ensure they are clean and free from debris.
3. Rinse and dry thoroughly.
4. If accessible, clean the condenser and the compressor at the back of the appliance with a brush.
This operation will improve the performance of the appliance and save electricity consumption.

7.3 Defrosting of the refrigerator

Frost is automatically eliminated from the evaporator of the refrigerator compartment every time the motor

compressor stops, during normal use. The defrost water drains out through a trough into a special container at the back of the appliance, over the motor compressor, where it evaporates.

It is important to periodically clean the defrost water drain hole in the middle of the refrigerator compartment channel to prevent the water overflowing and dripping onto the food inside.



7.4 Periods of non-operation

When the appliance is not in use for long periods, take the following precautions:

1. Disconnect the appliance from electricity supply.
2. Remove all food.
3. Leave the door/doors open to prevent unpleasant smells.



WARNING!

If the cabinet will be kept on, ask somebody to check it once in a while to prevent the food inside from spoiling in case of a power failure.

8. TROUBLESHOOTING



WARNING!

Refer to Safety chapters.

8.1 What to do if...

Problem	Possible cause	Solution
The appliance does not operate.	The appliance is switched off.	Switch on the appliance.

Problem	Possible cause	Solution
	The mains plug is not connected to the mains socket correctly.	Connect the mains plug to the mains socket correctly.
	There is no voltage in the mains socket.	Connect a different electrical appliance to the mains socket. Contact a qualified electrician.
The appliance is noisy.	The appliance is not supported properly.	Check if the appliance stands stable.
The lamp does not work.	The lamp is in stand-by.	Close and open the door.
	The lamp is defective.	Refer to "Replacing the lamp".
The compressor operates continually.	Temperature is set incorrectly.	Refer to "Operation" chapter.
	Many food products to be frozen were put in at the same time.	Wait some hours and then check the temperature again.
	The room temperature is too high.	Refer to climate class chart on the rating plate.
	Food products placed in the appliance were too warm.	Allow food products to cool to room temperature before storing.
	The door is not closed correctly.	Refer to "Closing the door".
Water flows into the refrigerator.	The water outlet is clogged.	Clean the water outlet.
	Food products prevent that water flows into the water collector.	Make sure that food products do not touch the rear plate.
Door is misaligned or interferes with ventilation grill.	The appliance is not levelled.	Refer to "Levelling".
The temperature in the appliance is too low/too high.	The temperature regulator is not set correctly.	Set a higher/lower temperature.
	The door is not closed correctly.	Refer to "Closing the door".
	The food products' temperature is too high.	Let the food products temperature decrease to room temperature before storage.

Problem	Possible cause	Solution
	Many food products are stored at the same time.	Store less food products at the same time.
	The door has been opened often.	Open the door only if necessary.
	There is no cold air circulation in the appliance.	Make sure that there is cold air circulation in the appliance.

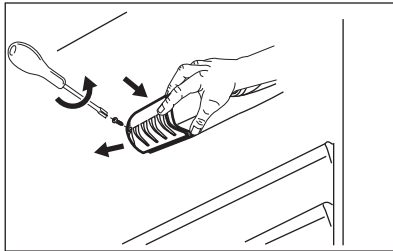


If the advice does not lead to the desired result, call the nearest brand-mark service.

8.2 Replacing the lamp

Disconnect the plug from the mains socket.

1. Remove the screw from the lamp cover.
2. Remove the lamp cover (refer to the illustration).



3. Replace the used lamp with a new lamp of the same power and

specifically designed for household appliances (the maximum power is shown on the lamp cover).

4. Install the lamp cover.
5. Tighten the screw to the lamp cover.
6. Connect the plug to the mains socket.
7. Open the door.
Make sure that the light comes on.

8.3 Closing the door

1. Clean the door gaskets.
2. If necessary, adjust the door. Refer to "Installation".
3. If necessary, replace the defective door gaskets. Contact the Service Center.

9. INSTALLATION



WARNING!
Refer to Safety chapters.

9.1 Positioning

This appliance can be installed in a dry, well ventilated indoor where the ambient temperature corresponds to the climate class indicated on the rating plate of the appliance:

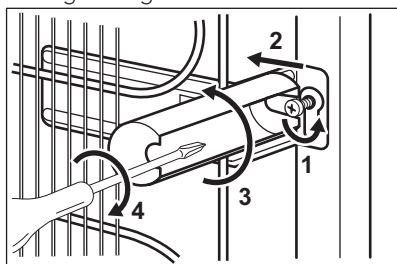
Climate class	Ambient temperature
SN	+10°C to + 32°C
N	+16°C to + 32°C
ST	+16°C to + 38°C
T	+16°C to + 43°C

i Some functional problems might occur for some types of models when operating outside of that range. The correct operation can only be guaranteed within the specified temperature range. If you have any doubts regarding where to install the appliance, please turn to the vendor, to our customer service or to the nearest Service Centre

9.2 Rear spacers

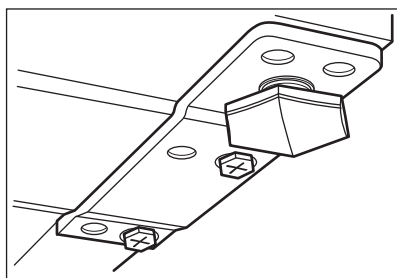
You can find the two spacers in the bag with documentation.

1. Release the screw.
2. Engage the spacer below the screw.
3. Turn the spacer to the right position.
4. Tighten again the screws.



9.3 Levelling

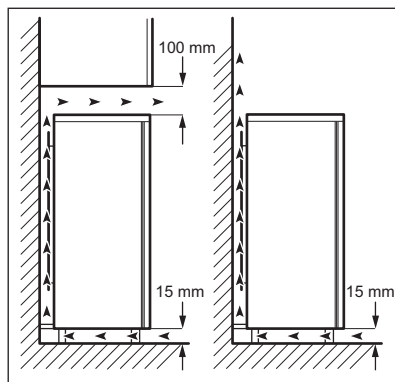
When placing the appliance ensure that it stands level. This can be achieved by two adjustable feet at the bottom in front.



9.4 Location

i It must be possible to disconnect the appliance from the mains power supply; the plug must therefore be easily accessible after installation.

The appliance should be installed well away from sources of heat such as radiators, boilers, direct sunlight etc. Ensure that air can circulate freely around the back of the cabinet. To ensure best performance, if the appliance is positioned below an overhanging wall unit, the minimum distance between the top of the cabinet and the wall unit must be at least 100 mm. Ideally, however, the appliance should not be positioned below overhanging wall units. Accurate levelling is ensured by one or more adjustable feet at the base of the cabinet.



9.5 Door reversibility



WARNING!

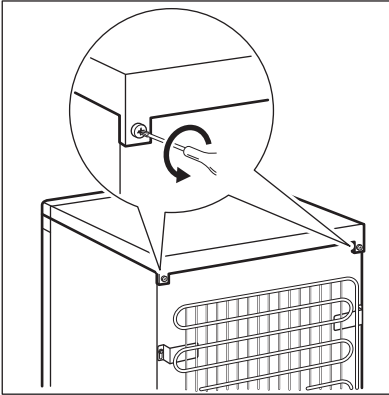
Before carrying out any operations, remove the plug from the power socket.



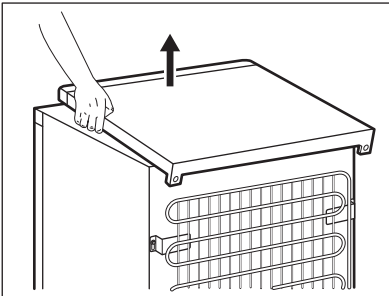
CAUTION!

To carry out the following operations, we suggest that this be made with another person that will keep a firm hold on the doors of the appliance during the operations.

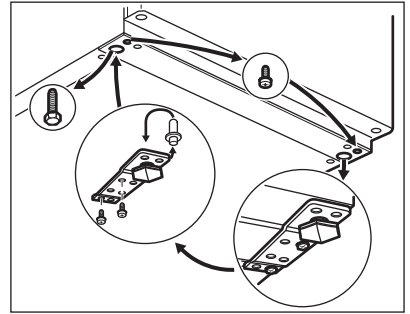
1. Unscrew both screws on the rear side.



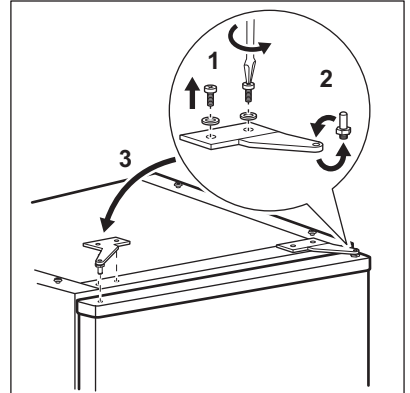
2. Push back the top and lift it.



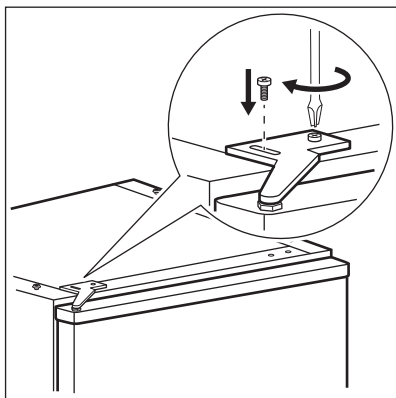
3. Unscrew the left foot.
4. Unscrew the screws of the door bottom hinge. Remove the hinge. Put over the pin in the direction of the arrow.



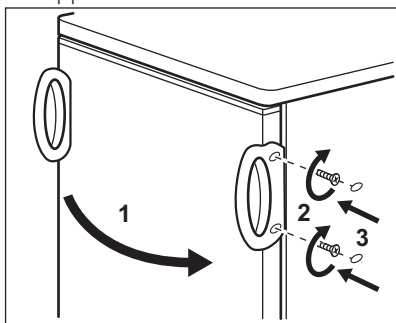
5. Unscrew and install the screw on the opposite side.
6. Install the hinge on the opposite side.
7. Screw the right foot.
8. Unscrew the screws of the door top hinge.



9. Remove the hinge. Put over the pin in the direction of the arrow. Install the hinge on the opposite side.



10. Tighten the hinge.
11. Put the top in position.
12. Push front the top.
13. Screw both screws on the rear side.
14. Remove and install the handle on the opposite side.



CAUTION!

Reposition, level the appliance, wait for at least four hours and then connect it to the power socket.



Do a final check to make sure that:

- All screws are tightened.
- The magnetic seal adheres to the cabinet.
- The door opens and closes correctly.

If the ambient temperature is cold (i.e. in Winter), the gasket may not fit perfectly to the cabinet. In that case, wait for the natural fitting of the gasket.

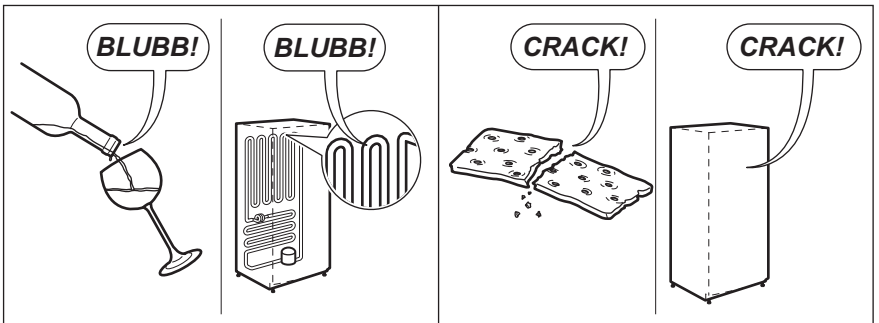
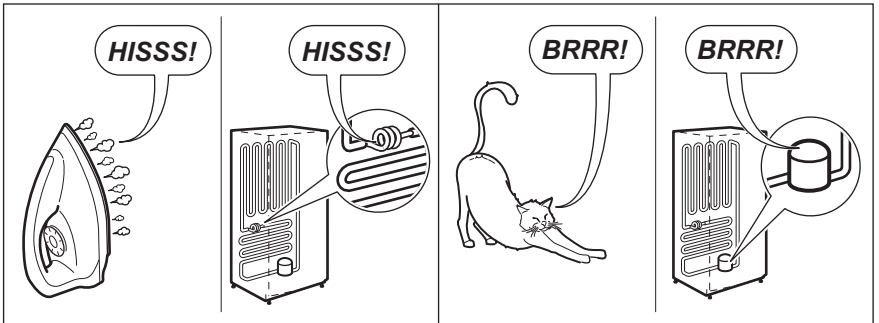
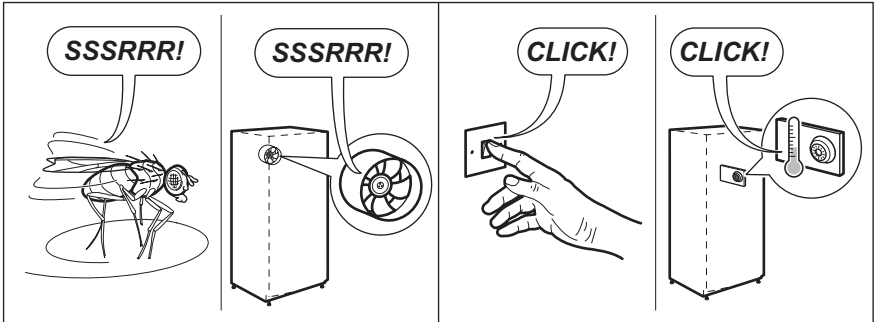
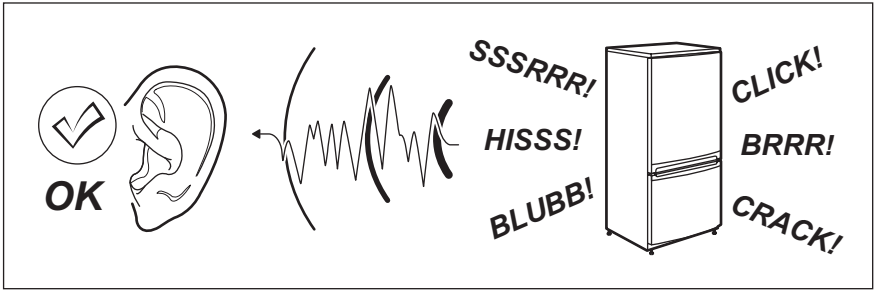
In case you do not want to carry out the above mentioned operations, contact the nearest After Sales Service Force. The After Sales Service specialist will carry out the reversibility of the doors at your cost.

9.6 Electrical connection

- Before plugging in, ensure that the voltage and frequency shown on the rating plate correspond to your domestic power supply.
- The appliance must be earthed. The power supply cable plug is provided with a contact for this purpose. If the domestic power supply socket is not earthed, connect the appliance to a separate earth in compliance with current regulations, consulting a qualified electrician.
- The manufacturer declines all responsibility if the above safety precautions are not observed.
- This appliance complies with the E.E.C. Directives.

10. NOISES

There are some sounds during normal running (compressor, refrigerant circulation).



11. TECHNICAL INFORMATION


11.1 Technical data

Height	mm	850
Width	mm	550
Depth	mm	612
Voltage	Volts	230 - 240
Frequency	Hz	50

The technical information are situated in the rating plate, on the external or

internal side of the appliance and in the energy label.

12. ENVIRONMENT CONCERNS

Recycle the materials with the symbol . Put the packaging in applicable containers to recycle it. Help protect the environment and human health and to recycle waste of electrical and electronic appliances. Do not dispose appliances


marked with the symbol  with the household waste. Return the product to your local recycling facility or contact your municipal office.

TABLE DES MATIÈRES

1. CONSIGNES DE SÉCURITÉ.....	17
2. INSTRUCTIONS DE SÉCURITÉ.....	18
3. FONCTIONNEMENT.....	20
4. PREMIÈRE UTILISATION.....	20
5. UTILISATION QUOTIDIENNE.....	20
6. CONSEILS.....	21
7. ENTRETIEN ET NETTOYAGE.....	22
8. EN CAS D'ANOMALIE DE FONCTIONNEMENT.....	23
9. INSTALLATION.....	25
10. BRUITS.....	28
11. CARACTÉRISTIQUES TECHNIQUES.....	29

POUR DES RÉSULTATS PARFAITS

Merci d'avoir choisi ce produit AEG. Nous l'avons conçu pour qu'il vous offre des performances irréprochables pour longtemps, en intégrant des technologies innovantes qui vous simplifient la vie grâce à des caractéristiques que vous ne trouverez pas forcément sur des appareils ordinaires. Veuillez prendre quelques instants pour lire cette notice afin d'utiliser au mieux votre appareil.

Visitez notre site Internet pour :



Obtenir des conseils d'utilisation, des brochures, de l'aide, des informations :
www.aeg.com



Enregistrez votre produit pour obtenir un meilleur service :
www.registreaeg.com



Acheter des accessoires, consommables et pièces de rechange d'origine pour votre appareil :
www.aeg.com/shop

SERVICE APRÈS-VENTE

Utilisez toujours des pièces d'origine.

Avant de contacter le service, assurez-vous de disposer des informations suivantes : Modèle, PNC, numéro de série.

Vous trouverez ces informations sur la plaque signalétique.



Avertissement/Consignes de sécurité



Informations générales et conseils



Informations en matière de protection de l'environnement

Sous réserve de modifications.

1. ⚠️ CONSIGNES DE SÉCURITÉ

Avant d'installer et d'utiliser cet appareil, lisez soigneusement les instructions fournies. Le fabricant ne peut être tenu pour responsable des dommages et blessures liés à une mauvaise installation ou utilisation. Conservez toujours cette notice avec votre appareil pour vous y référer ultérieurement.

1.1 Sécurité des enfants et des personnes vulnérables

- Cet appareil peut être utilisé par des enfants âgés d'au moins 8 ans et par des personnes ayant des capacités physiques, sensorielles ou mentales réduites ou dénuées d'expérience ou de connaissance, s'ils (si elles) sont correctement surveillé(e)s ou si des instructions relatives à l'utilisation de l'appareil en toute sécurité leur ont été données et si les risques encourus ont été appréhendés.
- Les enfants ne doivent pas jouer avec l'appareil.
- Le nettoyage et l'entretien par l'utilisateur ne doivent pas être effectués par des enfants sans surveillance.
- Ne laissez pas les emballages à la portée des enfants.

1.2 Consignes générales de sécurité

- Cet appareil est conçu uniquement pour un usage domestique et des utilisations telles que :
 - dans les bâtiments de ferme, dans des cuisines réservées aux employés dans des magasins, bureaux et autres lieux de travail ;
 - pour une utilisation privée, par les clients, dans des hôtels et autres lieux de séjour.
- Veillez à ce que les orifices de ventilation, situés dans l'enceinte de l'appareil ou dans la structure intégrée, ne soient pas obstrués.
- N'utilisez aucun dispositif mécanique ou autre appareil pour accélérer le processus de dégivrage que ceux recommandés par le fabricant.

- N'endommagez pas le circuit frigorifique.
- N'utilisez pas d'appareils électriques à l'intérieur des compartiments de conservation des aliments de l'appareil, sauf s'ils sont du type recommandé par le fabricant.
- Ne pulvérisiez pas d'eau ni de vapeur pour nettoyer l'appareil.
- Nettoyez l'appareil avec un chiffon doux humide. Utilisez uniquement des produits de nettoyage neutres. N'utilisez pas de produits abrasifs, de tampons à récurer, de solvants ni d'objets métalliques.
- Ne conservez aucune substance explosive dans cet appareil, comme des aérosols contenant un produit inflammable.
- Si le câble d'alimentation est endommagé, il doit être remplacé par le fabricant, son service après-vente ou des personnes de qualification similaire afin d'éviter un danger.

2. INSTRUCTIONS DE SÉCURITÉ

2.1 Installation



AVERTISSEMENT!

L'appareil doit être installé uniquement par un professionnel qualifié.

- Retirez l'intégralité de l'emballage
- N'installez pas et ne branchez pas un appareil endommagé.
- Suivez scrupuleusement les instructions d'installation fournies avec l'appareil.
- Soyez toujours vigilants lorsque vous déplacez l'appareil car il est lourd. Portez toujours des gants de sécurité.
- Assurez-vous que l'air circule autour de l'appareil.
- Attendez au moins 4 heures avant de brancher l'appareil sur le secteur. Cela permet à l'huile de refouler dans le compresseur.
- N'installez pas l'appareil à proximité d'un radiateur, d'une cuisinière, d'un four ou d'une table de cuisson.

- La surface arrière de l'appareil doit être positionnée contre un mur.
- N'installez pas l'appareil dans un endroit exposé à la lumière directe du soleil.
- N'installez pas l'appareil dans un endroit trop humide ou trop froid, comme une dépendance extérieure, un garage ou une cave.
- Lorsque vous déplacez l'appareil, veillez à le soulever par l'avant pour éviter de rayer le sol.

2.2 Connexion électrique



AVERTISSEMENT!

Risque d'incendie ou d'électrocution.

- L'appareil doit être relié à la terre.
- Vérifiez que les données électriques figurant sur la plaque signalétique correspondent à celles de votre réseau. Si ce n'est pas le cas, contactez un électricien.

- Utilisez toujours une prise antichoc correctement installée.
- N'utilisez pas d'adaptateurs multiprises ni de rallonges.
- Veillez à ne pas endommager les composants électriques tels que la fiche secteur, le câble d'alimentation ou le compresseur. Contactez le service après-vente ou un électricien pour changer les composants électriques.
- Le câble d'alimentation doit rester en dessous du niveau de la fiche secteur.
- Ne branchez la fiche d'alimentation à la prise de courant qu'à la fin de l'installation. Assurez-vous que la prise de courant est accessible une fois l'appareil installé.
- Ne tirez jamais sur le câble d'alimentation pour débrancher l'appareil. Tirez toujours sur la fiche.

2.3 Usage



AVERTISSEMENT!

Risque de blessures, de brûlures, d'électrocution ou d'incendie.

- Ne modifiez pas les caractéristiques de cet appareil.
- Ne placez aucun appareil électrique (sorbetière, etc.) dans l'appareil, en l'absence d'indications du fabricant.
- Veillez à ne pas endommager le circuit frigorifique. Il contient de l'isobutane (R600a), un gaz naturel ayant un niveau élevé de compatibilité environnementale. Ce gaz est inflammable.
- Si le circuit frigorifique est endommagé, assurez-vous de l'absence de flammes et de sources d'ignition dans la pièce. Aérez la pièce.
- Évitez tout contact d'éléments chauds avec les parties en plastique de l'appareil.
- Ne stockez jamais de gaz ou de liquide inflammable dans l'appareil.
- Ne placez pas de produits inflammables ou d'éléments imbibés de produits inflammables à l'intérieur ou à proximité de l'appareil, ni sur celui-ci.

- Ne touchez pas le compresseur ni le condenseur. Ils sont chauds.

2.4 Éclairage interne

- Le type d'ampoule utilisé dans cet appareil n'est pas adapté à l'éclairage de votre habitation.

2.5 Entretien et nettoyage



AVERTISSEMENT!

Risque de blessure corporelle ou de dommages matériels.

- Avant toute opération d'entretien, éteignez l'appareil et débranchez la fiche de la prise secteur.
- Cet appareil contient des hydrocarbures dans son circuit de réfrigération. L'entretien et la recharge du circuit de réfrigération doivent être effectués par un professionnel qualifié.
- Examinez régulièrement l'écoulement de l'appareil et si nécessaire, nettoyez-le. Si l'orifice est bouché, l'eau provenant du dégivrage s'écoulera en bas de l'appareil.

2.6 Mise au rebut



AVERTISSEMENT!

Risque de blessure ou d'asphyxie.

- Débranchez l'appareil de l'alimentation électrique.
- Coupez le câble d'alimentation et mettez-le au rebut.
- Retirez la porte pour empêcher les enfants et les animaux de s'enfermer dans l'appareil.
- Le circuit frigorifique et les matériaux d'isolation de cet appareil préservent la couche d'ozone.
- La mousse isolante contient un gaz inflammable. Contactez votre service municipal pour obtenir des informations sur la marche à suivre pour mettre l'appareil au rebut.
- N'endommagez pas la partie du circuit de réfrigération située à proximité du condenseur thermique.

3. FONCTIONNEMENT

3.1 Mise en marche

Insérez la fiche dans la prise murale.

Tournez le thermostat vers la droite sur une position médiane.

3.2 Mise à l'arrêt

Pour éteindre l'appareil, tournez le thermostat sur la position « O ».

3.3 Réglage de la température

La température est régulée automatiquement.

Pour utiliser l'appareil, procédez comme suit :

- tournez le thermostat vers le réglage minimal pour obtenir le niveau de froid minimal.
- tournez le thermostat vers le réglage maximal pour obtenir le niveau de froid maximal.



Un réglage intermédiaire est généralement le plus indiqué.

Toutefois, on obtiendra le réglage exact en tenant compte du fait que la température à l'intérieur de l'appareil dépend de plusieurs facteurs :

- la température ambiante
- la fréquence d'ouverture du couvercle
- la quantité d'aliments stockés
- l'emplacement de l'appareil.



Si la température ambiante est élevée ou l'appareil très rempli et si le thermostat est réglé sur la température la plus basse, il est possible que le compresseur fonctionne en régime continu, d'où un risque de formation de givre sur la paroi arrière. Pour éviter cet inconvénient, modifiez la position du thermostat pour obtenir moins de froid, de façon à permettre un dégivrage automatique et, par conséquent, des économies d'énergie.

4. PREMIÈRE UTILISATION

4.1 Nettoyage de l'intérieur

Avant d'utiliser l'appareil pour la première fois, nettoyez l'intérieur et tous les accessoires avec de l'eau tiède savonneuse (pour supprimer toute odeur de neuf), puis séchez-les soigneusement.



ATTENTION!

N'utilisez jamais de produits abrasifs ou caustiques car ils pourraient endommager le revêtement.

5. UTILISATION QUOTIDIENNE

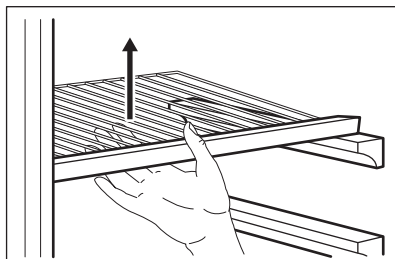


AVERTISSEMENT!

Reportez-vous aux chapitres concernant la sécurité.

5.1 Clayettes amovibles

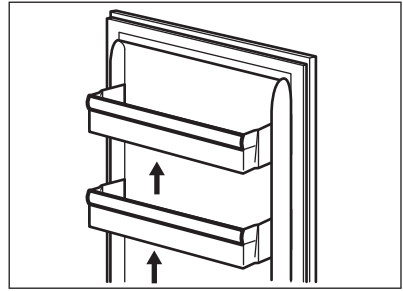
Les parois du réfrigérateur sont équipées d'une série de glissières afin que les clayettes puissent être positionnées comme vous le souhaitez.



5.2 Mise en place des balconnets de la porte

Selon la taille des emballages des aliments conservés, les balconnets de la porte peuvent être positionnés à différentes hauteurs.

1. Faites glisser le balconnet dans le sens des flèches jusqu'à ce qu'il se libère.
2. Repositionnez-le selon les besoins.



6. CONSEILS

6.1 Bruits normaux de fonctionnement

Les bruits suivants sont normaux lorsque l'appareil est en cours de fonctionnement :

- Un léger gargouillis lorsque le liquide réfrigérant est pompé.
- Un ronronnement et un bruit de pulsation provenant du compresseur lorsque le liquide réfrigérant est pompé.
- Un bruit de craquement soudain provenant de l'intérieur de l'appareil provoqué par une dilatation thermique (un phénomène naturel et inoffensif).
- Un léger cliquetis du thermostat lorsque le compresseur s'active ou se désactive.

6.2 Conseils d'économie d'énergie

- Évitez d'ouvrir trop souvent la porte et ne la laissez ouverte que le temps nécessaire.
- Si la température ambiante est élevée, le thermostat réglé sur la position maximale et l'appareil plein, il est possible que le compresseur fonctionne en régime continu, d'où un risque de formation de givre ou de glace sur l'évaporateur. Dans ce cas, réglez le thermostat sur une température plus élevée pour faciliter le dégivrage automatique, ce qui permet ainsi d'économiser de l'énergie.

6.3 Conseils pour la réfrigération des aliments frais

Pour obtenir les meilleurs résultats :

- n'introduisez pas d'aliments encore chauds ou de liquides en évaporation dans le réfrigérateur
- couvrez ou enveloppez soigneusement les aliments, surtout s'ils sont aromatiques
- placez correctement les aliments pour que l'air puisse circuler librement autour

6.4 Conseils pour la réfrigération

Conseil utiles :

- Viande (tous types de viande) : enveloppez-la dans des sachets en plastique et placez-la sur la clayette en verre au-dessus du bac à légumes.
- Pour des raisons de sécurité, ne la conservez de cette manière que pendant un ou deux jours maximum.
- Aliments cuits, plats froids, etc. : ils doivent être couverts et peuvent être placés sur n'importe quelle clayette.
- Fruits et légumes : placez-les une fois nettoyés dans le bac à légumes.
- Beurre et fromage : placez-les dans des récipients étanches spéciaux ou enveloppez-les soigneusement dans des feuilles d'aluminium ou des sachets en plastique, afin que le volume d'air avec lesquels ils sont en contact soit réduit autant que possible.
- Bouteilles : elles nécessitent un bouchon et doivent être stockées sur

l'étagère à bouteilles de la porte ou (si équipé) sur la grille à bouteilles.

- Bananes, pommes de terre, oignons et ail ne doivent pas être mis dans le

réfrigérateur, s'ils ne sont pas emballés.

7. ENTRETIEN ET NETTOYAGE



AVERTISSEMENT!

Reportez-vous aux chapitres concernant la sécurité.

7.1 Avertissements généraux



ATTENTION!

Débranchez l'appareil avant toute opération d'entretien et de nettoyage.



Cet appareil contient des hydrocarbures dans son circuit de réfrigération ; l'entretien et la recharge ne doivent donc être effectués que par du personnel qualifié.



Les pièces et accessoires de l'appareil ne doivent pas être lavés au lave-vaisselle.

7.2 Nettoyage périodique



ATTENTION!

Ne tirez pas, ne déplacez pas, n'endommagez pas les tuyaux et/ou câbles qui se trouvent à l'intérieur de l'appareil.



ATTENTION!

Attention à ne pas endommager le système de réfrigération.



ATTENTION!

Lorsque vous déplacez l'appareil, veillez à le soulever par l'avant pour éviter de rayer le sol.

L'appareil doit être nettoyé régulièrement :

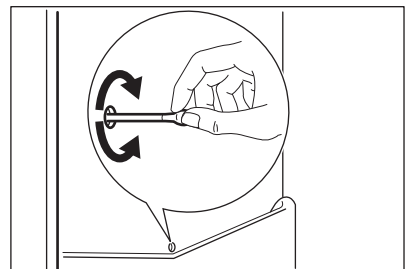
1. Nettoyez l'intérieur et les accessoires avec de l'eau tiède et un détergent doux.
2. Vérifiez régulièrement les joints de porte et essuyez-les pour vous assurer qu'ils sont propres et ne contiennent pas de résidus.
3. Rincez et séchez soigneusement.
4. S'ils sont accessibles, nettoyez le condenseur et le compresseur situés à l'arrière de l'appareil avec une brosse.

Cette opération améliore les performances de l'appareil et permet des économies d'électricité.

7.3 Dégivrage du réfrigérateur

En fonctionnement normal, le givre est automatiquement éliminé de l'évaporateur du compartiment réfrigérateur à chaque fois que le compresseur s'arrête. L'eau de dégivrage est collectée dans un récipient spécial situé à l'arrière de l'appareil, au-dessus du compresseur, d'où elle s'évapore.

Il est important de nettoyer régulièrement l'orifice d'écoulement de la goutte de l'évacuation de l'eau de dégivrage située au milieu du compartiment réfrigérateur pour empêcher l'eau de déborder et de couler à l'intérieur de l'appareil.



7.4 En cas de non-utilisation prolongée

Si l'appareil n'est pas utilisé pendant de longues périodes, prenez les précautions suivantes :

1. Débranchez l'appareil de l'alimentation électrique.
2. Retirez tous les aliments.
3. Laissez la porte/les portes ouverte(s) pour éviter la formation d'odeurs désagréables.



AVERTISSEMENT!

Si, toutefois, vous n'avez pas la possibilité de débrancher et de vider l'appareil, faites vérifier régulièrement le bon de fonctionnement de celui-ci et ceci en tenant compte de sa charge et de son autonomie de fonctionnement.

8. EN CAS D'ANOMALIE DE FONCTIONNEMENT



AVERTISSEMENT!

Reportez-vous aux chapitres concernant la sécurité.

8.1 En cas d'anomalie de fonctionnement...

Problème	Cause probable	Solution
L'appareil ne fonctionne pas du tout.	L'appareil est à l'arrêt.	Mettez l'appareil en marche.
	La fiche du câble d'alimentation n'est pas correctement insérée dans la prise de courant.	Branchez correctement la fiche du câble d'alimentation dans la prise de courant.
	La prise de courant n'est pas alimentée.	Branchez un autre appareil électrique à la prise de courant. Contactez un électricien qualifié.
L'appareil est bruyant.	L'appareil n'est pas stable.	Assurez-vous de la stabilité de l'appareil.
L'éclairage ne fonctionne pas.	L'éclairage est en mode veille.	Fermez puis ouvrez la porte.
	L'ampoule est défectueuse.	Reportez-vous au chapitre « Remplacement de l'ampoule ».
Le compresseur fonctionne en permanence.	Il y a une erreur dans le réglage de la température.	Reportez-vous au chapitre « Fonctionnement ».
	Trop de produits à congeler ont été introduits en même temps dans l'appareil.	Attendez quelques heures et vérifiez de nouveau la température.

Problème	Cause probable	Solution
	La température ambiante est trop élevée.	Reportez-vous au tableau des classes climatiques de la plaque signalétique.
	Les aliments introduits dans l'appareil étaient trop chauds.	Laissez refroidir les aliments à température ambiante avant de les mettre dans l'appareil.
	La porte n'est pas fermée correctement.	Reportez-vous au chapitre « Fermeture de la porte ».
De l'eau s'écoule dans le réfrigérateur.	L'orifice d'écoulement de l'eau de dégivrage est obstrué.	Nettoyez l'orifice d'écoulement de l'eau de dégivrage.
	Des aliments empêchent l'eau de s'écouler dans le réservoir d'eau.	Assurez-vous que les produits ne touchent pas la plaque arrière.
La porte n'est pas dans l'alignement ou touche la grille de ventilation.	L'appareil n'est pas de niveau.	Reportez-vous au chapitre « Mise de niveau ».
La température à l'intérieur de l'appareil est trop basse/ élevée.	Le thermostat n'est pas réglé correctement.	Augmentez/réduisez la température.
	La porte n'est pas fermée correctement.	Reportez-vous au chapitre « Fermeture de la porte ».
	La température des produits est trop élevée.	Laissez les aliments refroidir à température ambiante avant de les placer dans l'appareil.
	Trop de produits ont été introduits simultanément.	Introduisez moins de produits en même temps.
	La porte a été ouverte trop souvent.	N'ouvrez la porte qu'en cas de nécessité.
	L'air froid ne circule pas dans l'appareil.	Assurez-vous que de l'air froid circule dans l'appareil.

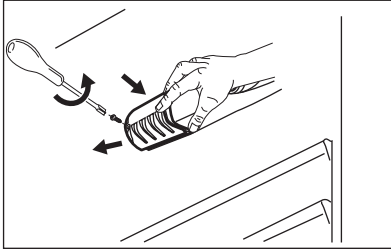


Si ces conseils n'apportent pas de solution à votre problème, veuillez consulter le service après-vente le plus proche.

8.2 Remplacement de l'éclairage

Débranchez la fiche de l'appareil de la prise secteur.

1. Retirez la vis du diffuseur.
2. Retirez le diffuseur (voir l'illustration).



3. Remplacez l'ampoule défectueuse par une ampoule neuve de puissance identique, spécifiquement conçue pour les appareils électroménagers (la puissance maximale est indiquée sur le diffuseur).
4. Installez le diffuseur de l'ampoule.
5. Serrez la vis du diffuseur.
6. Branchez la fiche de l'appareil à la prise secteur.
7. Ouvrez la porte.

9. INSTALLATION



AVERTISSEMENT!
Reportez-vous aux chapitres concernant la sécurité.

9.1 Installation

Cet appareil peut être installé dans un pièce intérieure sèche et bien ventilée où la température ambiante correspond à la classe climatique indiquée sur la plaque signalétique de l'appareil :

Classe climatique	Température ambiante
SN	+10 °C à +32 °C
N	+16 °C à +32 °C
ST	+16 °C à +38 °C
T	+16 °C à +43 °C

Vérifiez que l'ampoule s'allume.

8.3 Fermeture de la porte

1. Nettoyez les joints de la porte.
2. Si nécessaire, ajustez la porte. Reportez-vous au chapitre « Installation ».
3. Si nécessaire, remplacez les joints de porte défectueux. Contactez votre service après-vente.

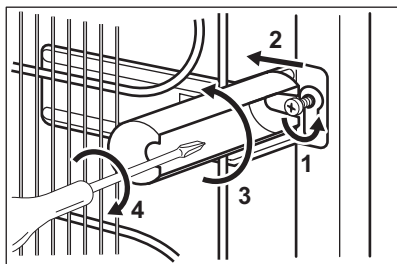


Des problèmes fonctionnels peuvent se produire sur certains types de modèles fonctionnant hors de cette plage de températures. Seul le respect de la plage de températures spécifiée peut garantir un bon fonctionnement de l'appareil. En cas de doute concernant l'emplacement d'installation de l'appareil, veuillez contacter le vendeur, notre service après-vente ou le centre de maintenance le plus proche.

9.2 Entretoises arrière

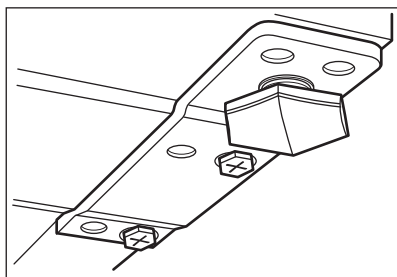
Vous trouverez deux entretoises dans le même sachet que la notice d'utilisation.

1. Desserrez la vis.
2. Faites glisser l'entretoise sous la vis.
3. Tournez l'entretoise en position correcte.
4. Resserrez la vis.



9.3 Mise de niveau

Lorsque vous installez l'appareil, veillez à le placer de niveau. Servez-vous des deux pieds réglables se trouvant à l'avant de l'appareil.

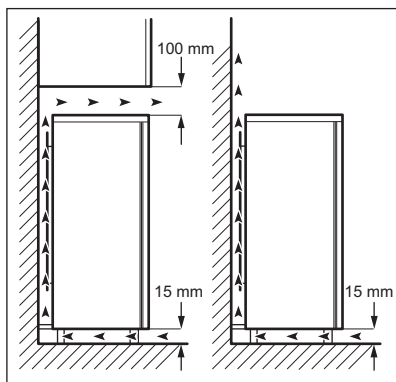


9.4 Emplacement



L'appareil doit pouvoir être débranché à tout moment ; il est donc nécessaire que la prise reste accessible après l'installation.

L'appareil ne doit pas être installé près d'une source de chaleur telle qu'un radiateur, une chaudière, la lumière directe du soleil, etc. Assurez-vous que l'air circule librement à l'arrière de l'appareil. Pour garantir un rendement optimal si l'appareil est installé sous un élément suspendu, la distance entre le haut de l'appareil et l'élément suspendu doit être d'au moins 100 mm. Si possible, évitez de placer l'appareil sous des éléments suspendus. La mise de niveau se fait à l'aide d'un ou de plusieurs pieds réglables à la base de l'appareil.



9.5 Réversibilité de la porte



AVERTISSEMENT!

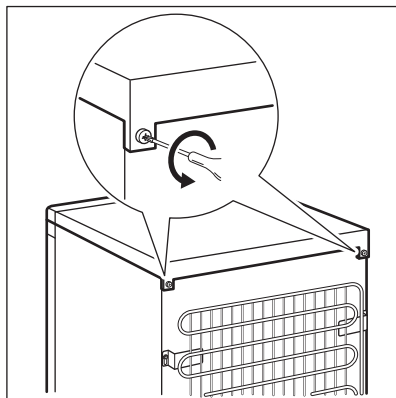
Avant toute opération, débranchez la fiche de la prise électrique.



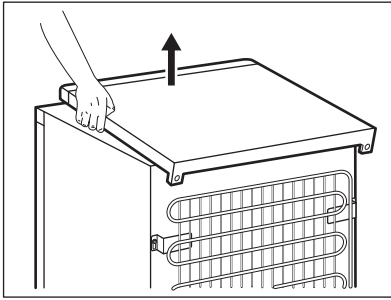
ATTENTION!

Pour effectuer les opérations suivantes, il est conseillé de se faire aider par une autre personne pour maintenir fermement les portes de l'appareil lors de toute manipulation.

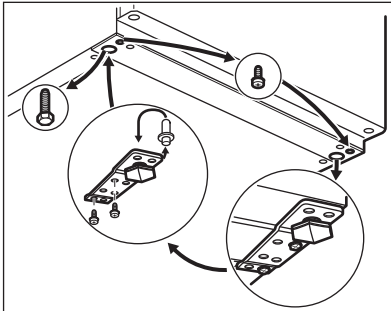
1. Dévissez les deux vis à l'arrière.



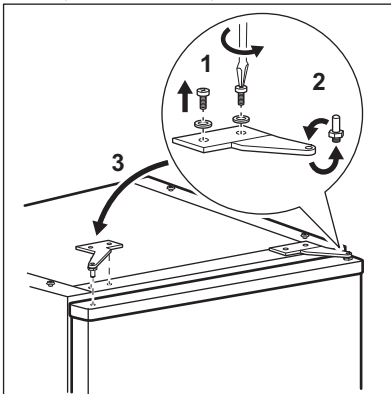
2. Repoussez le panneau supérieur et soulevez-le.



3. Dévissez le pied gauche.
4. Dévissez les vis de la charnière inférieure de la porte. Retirez la charnière. Placez la goupille dans le sens de la flèche.

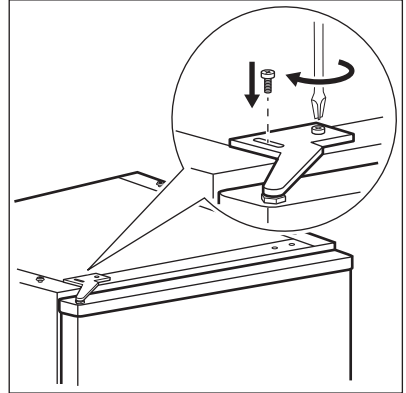


5. Dévissez et installez la vis sur le côté opposé.
6. Mettez en place la charnière sur le côté opposé.
7. Vissez le pied droit.
8. Dévissez les vis de la charnière supérieure de la porte.

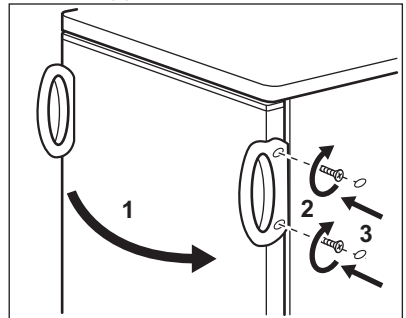


9. Retirez la charnière. Placez la goupille dans le sens de la flèche.

Mettez en place la charnière sur le côté opposé.



10. Serrez la charnière.
11. Mettez le panneau supérieur en place.
12. Appuyez sur l'avant du panneau.
13. Vissez les deux vis à l'arrière.
14. Retirez et installez la poignée sur le côté opposé.



ATTENTION!

Remettez l'appareil en place, mettez-le de niveau, attendez au moins quatre heures puis branchez-le à la prise de courant.



Faites une dernière vérification pour vous assurer que :

- Toutes les vis sont bien serrées.
- Le joint magnétique adhère bien à l'appareil.
- La porte s'ouvre et se ferme correctement.

Si la température ambiante est basse (par exemple, en hiver), il se peut que le joint n'adhère pas parfaitement. Dans ce cas, attendez que le joint reprenne sa taille naturelle.

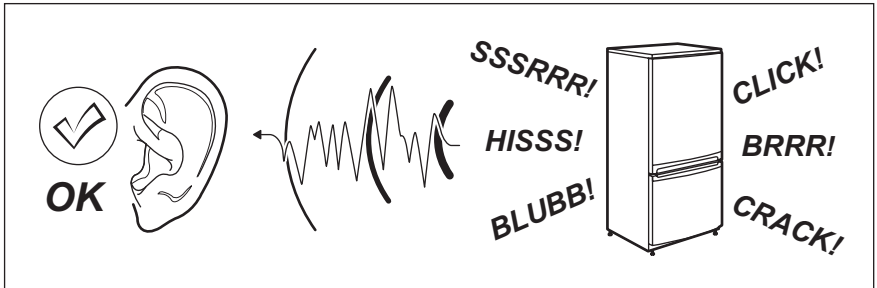
Si vous ne souhaitez pas effectuer personnellement les opérations décrites ci-dessus, contactez votre service après-vente. Un technicien du service après-vente procédera à la réversibilité des portes à vos frais.

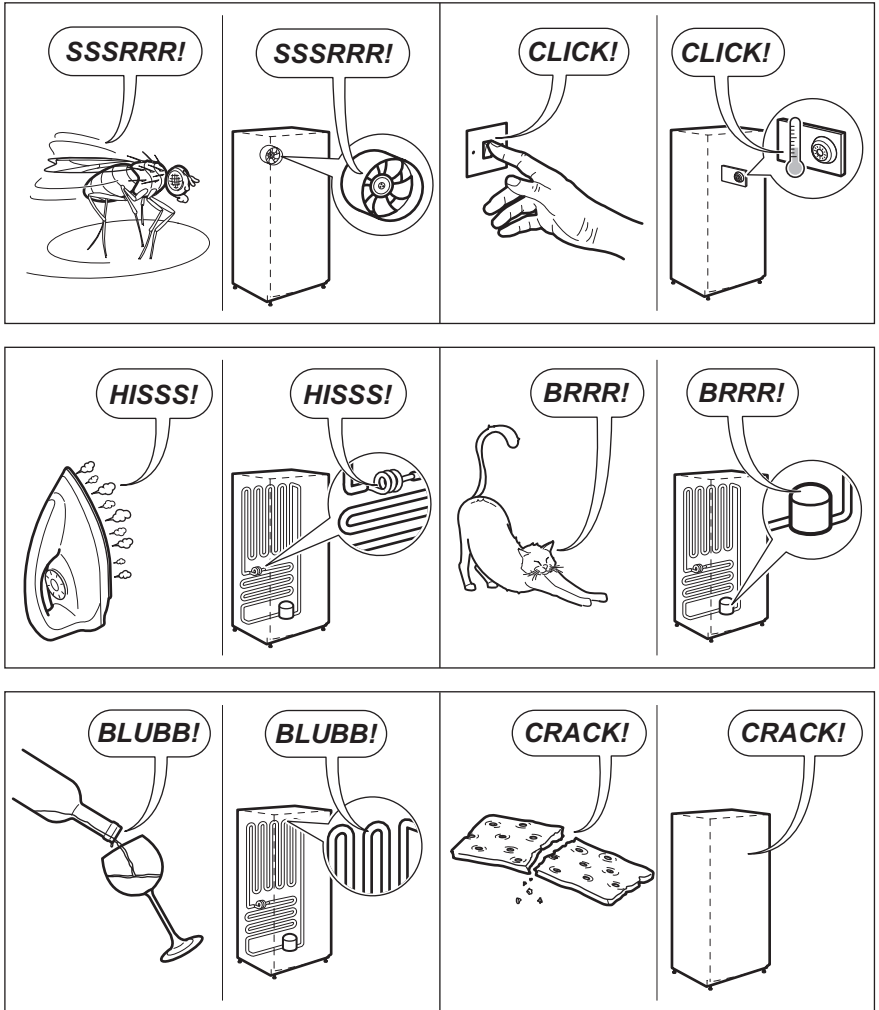
9.6 Branchement électrique

- Avant de brancher l'appareil, assurez-vous que la tension et la fréquence indiquées sur la plaque signalétique correspondent à celles de votre réseau électrique domestique.
- L'appareil doit être relié à la terre. La fiche du cordon d'alimentation est fournie avec un contact à cette fin. Si la prise de courant n'est pas mise à la terre, branchez l'appareil à une mise à la terre séparée conformément aux réglementations en vigueur, en consultant un électricien spécialisé.
- Le fabricant décline toute responsabilité en cas de non-respect de ces consignes de sécurité.
- Cet appareil est conforme aux directives CEE.

10. BRUITS

L'appareil émet certains bruits pendant son fonctionnement (compresseur, circuit frigorifique).





11. CARACTÉRISTIQUES TECHNIQUES

11.1 Caractéristiques techniques

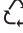
Hauteur	mm	850
Largeur	mm	550
Profondeur	mm	612
Tension	Volts	230 - 240


Fréquence	Hz	50
-----------	----	----

Les caractéristiques techniques figurent sur la plaque signalétique située sur le

côté intérieur ou extérieur de l'appareil et sur l'étiquette énergétique.

12. EN MATIÈRE DE PROTECTION DE L'ENVIRONNEMENT

Recyclez les matériaux portant le symbole . Déposez les emballages dans les conteneurs prévus à cet effet. Contribuez à la protection de l'environnement et à votre sécurité, recyclez vos produits électriques et

électroniques. Ne jetez pas les appareils portant le symbole  avec les ordures ménagères. Emmenez un tel produit dans votre centre local de recyclage ou contactez vos services municipaux.

INHALTSVERZEICHNIS

1. SICHERHEITSINFORMATIONEN.....	32
2. SICHERHEITSANWEISUNGEN.....	33
3. BETRIEB.....	35
4. ERSTE INBETRIEBNAHME.....	35
5. TÄGLICHER GEBRAUCH.....	35
6. TIPPS UND HINWEISE.....	36
7. REINIGUNG UND PFLEGE.....	37
8. FEHLERSUCHE.....	38
9. MONTAGE.....	40
10. GERÄUSCHE.....	43
11. TECHNISCHE DATEN.....	45

FÜR PERFEKTE ERGEBNISSE

Danke, dass Sie sich für dieses AEG-Produkt entschieden haben. Wir haben es geschaffen, damit Sie viele Jahre von seiner ausgezeichneten Leistung und den innovativen Technologien, die Ihnen das Leben erleichtern, profitieren können. Es ist mit Funktionen ausgestattet, die in gewöhnlichen Geräten nicht vorhanden sind. Nehmen Sie sich ein paar Minuten Zeit zum Lesen, um seine Vorzüge kennen zu lernen.

Besuchen Sie uns auf unserer Website, um:



Anwendungshinweise, Prospekte, Fehlerbehebungs- und Service-Informationen zu erhalten:

www.aeg.com



Ihr Produkt für einen besseren Service zu registrieren:

www.registerraeg.com



Zubehör, Verbrauchsmaterial und Original-Ersatzteile für Ihr Gerät zu kaufen:

www.aeg.com/shop

REPARATUR- UND KUNDENDIENST

Bitte verwenden Sie ausschließlich Original-Ersatzteile für Ihre Produkte. Halten Sie folgende Angaben bereit, wenn Sie sich an den Kundendienst wenden
Modell, Produktnummer (PNC), Seriennummer.
Die Informationen finden Sie auf dem Typenschild.



Warn-/ Sicherheitshinweise



Allgemeine Informationen und Empfehlungen



Umweltinformationen

Änderungen vorbehalten.

1. ⚠️ SICHERHEITSINFORMATIONEN

Lesen Sie vor der Montage und dem Gebrauch des Geräts zuerst die Gebrauchsanleitung. Der Hersteller übernimmt keine Verantwortung für Verletzungen und Beschädigungen durch unsachgemäße Montage. Bewahren Sie die Gebrauchsanleitung griffbereit auf.

1.1 Sicherheit von Kindern und schutzbedürftigen Personen

- Das Gerät kann von Kindern ab 8 Jahren und Personen mit eingeschränkten physischen, sensorischen oder geistigen Fähigkeiten oder mit mangelnder Erfahrung und/oder mangelndem Wissen nur dann verwendet werden, wenn sie durch eine für ihre Sicherheit zuständige Person beaufsichtigt werden oder in die sichere Verwendung des Geräts eingewiesen wurden und die mit dem Gerät verbundenen Gefahren verstanden haben.
- Kinder dürfen nicht mit dem Gerät spielen.
- Wartung oder Reinigung des Geräts dürfen nicht von Kindern ohne Aufsicht erfolgen.
- Alle Verpackungsmaterialien von Kindern fernhalten.

1.2 Allgemeine Sicherheit

- Dieses Gerät ist für die Verwendung im Haushalt und ähnliche Zwecke vorgesehen, wie z. B.:
 - Bauernhöfe, Personalküchenbereiche in Geschäften, Büros und anderen Arbeitsumfeldern
 - Für Gäste in Hotels, Motels, Pensionen und anderen wohnungsähnlichen Räumlichkeiten
- Achten Sie darauf, dass die Belüftungsöffnungen im Gehäuse um das Gerät und in der Einbaunische nicht blockiert sind.
- Versuchen Sie nicht, den Abtauvorgang durch andere als vom Hersteller empfohlene mechanische oder sonstige Hilfsmittel zu beschleunigen.
- Beschädigen Sie nicht den Kältekreislauf.

- Betreiben Sie in den Lebensmittelfächern des Geräts keine anderen als die vom Hersteller empfohlenen Elektrogeräte.
- Reinigen Sie das Gerät nicht mit einem Wasser- oder Dampfstrahl.
- Reinigen Sie das Gerät mit einem weichen, feuchten Tuch. Verwenden Sie ausschließlich Neutralreiniger. Benutzen Sie keine Scheuermittel, scheuernde Reinigungsschwämmchen, Lösungsmittel oder Metallgegenstände.
- Bewahren Sie in dem Gerät keine explosiven Substanzen, wie Spraydosen mit entzündlichen Treibgasen auf.
- Wenn das Netzkabel beschädigt ist, muss es vom Hersteller, einem autorisierten Kundendienst oder einer gleichermaßen qualifizierten Person ersetzt werden, um Gefahren zu vermeiden.

2. SICHERHEITSANWEISUNGEN

2.1 Montage



WARNUNG!

Nur eine qualifizierte Fachkraft darf den elektrischen Anschluss des Geräts vornehmen.

- Entfernen Sie das Verpackungsmaterial.
- Stellen Sie ein beschädigtes Gerät nicht auf und benutzen Sie es nicht.
- Halten Sie sich an die mitgelieferte Montageanleitung.
- Seien Sie beim Umsetzen des Geräts vorsichtig, denn es ist schwer. Tragen Sie stets Sicherheitshandschuhe.
- Stellen Sie sicher, dass die Luft um das Gerät zirkulieren kann.
- Warten Sie mindestens 4 Stunden, bevor Sie das Gerät an das Stromnetz anschließen. Dies ist erforderlich, damit das Öl in den Kompressor zurückfließen kann.
- Stellen Sie das Gerät nicht in der Nähe von Heizkörpern, Herden, Backöfen oder Kochfeldern auf.

- Die Geräterückseite muss gegen die Wand gestellt werden.
- Stellen Sie das Gerät nicht dort auf, wo es direktem Sonnenlicht ausgesetzt sein könnte.
- Stellen Sie das Gerät nicht an zu feuchten oder kalten Orten auf, wie z. B. in Nebengebäuden, Garagen oder Weinkellern.
- Wenn Sie das Gerät verschieben möchten, heben Sie es bitte an der Vorderkante an, um den Fußboden nicht zu verkratzen.

2.2 Elektrischer Anschluss



WARNUNG!

Brand- und Stromschlaggefahr.

- Das Gerät muss geerdet sein.
- Stellen Sie sicher, dass die elektrischen Daten auf dem Typenschild den Daten Ihrer Stromversorgung entsprechen. Wenden Sie sich andernfalls an eine Elektrofachkraft.

- Schließen Sie das Gerät nur an eine ordnungsgemäß installierte Schutzkontaktsteckdose an.
- Verwenden Sie keine Mehrfachsteckdosen oder Verlängerungskabel.
- Achten Sie darauf, elektrische Bauteile (wie Netzstecker, Netzkabel und Kompressor) nicht zu beschädigen. Wenden Sie sich an den technischen Kundendienst oder eine Elektrofachkraft, um die elektrischen Bauteile auszutauschen.
- Das Netzkabel muss unterhalb des Netzsteckers verlegt werden.
- Stecken Sie den Netzstecker erst nach Abschluss der Montage in die Steckdose. Stellen Sie sicher, dass der Netzstecker nach der Montage noch zugänglich ist.
- Ziehen Sie nicht am Netzkabel, wenn Sie das Gerät von der Stromversorgung trennen möchten. Ziehen Sie stets am Netzstecker.

2.3 Verwendung



WARNING!

Es besteht Verletzungs-, Verbrennungs-, Stromschlag- und Brandgefahr.

- Nehmen Sie keine technischen Änderungen am Gerät vor.
- Stellen Sie keine elektrischen Geräte (z. B. Eisbereiter) in das Gerät, wenn solche Geräte nicht ausdrücklich vom Hersteller für diesen Zweck zugelassen sind.
- Achten Sie darauf, den Kältekreislauf nicht zu beschädigen. Er enthält Isobutan (R600a), ein Erdgas mit einem hohen Grad an Umweltverträglichkeit. Dieses Gas ist brennbar.
- Wird der Kältekreislauf beschädigt, stellen Sie bitte sicher, dass es keine Flammen und Zündquellen im Raum gibt. Belüften Sie den Raum.
- Stellen Sie keine heißen Gegenstände auf die Kunststoffteile des Geräts.
- Bewahren Sie keine entzündbaren Gase und Flüssigkeiten im Gerät auf.
- Platzieren Sie keine entflammaren Produkte oder Gegenstände, die mit

entflammaren Produkten benetzt sind, im Gerät, auf dem Gerät oder in der Nähe des Geräts.

- Berühren Sie nicht den Kompressor oder den Kondensator. Sie sind heiß.

2.4 Innenbeleuchtung

- Der in diesem Gerät verwendete Lampentyp eignet sich nicht zur Raumbeleuchtung.

2.5 Reinigung und Pflege



WARNING!

Verletzungsgefahr sowie Risiko von Schäden am Gerät.

- Schalten Sie das Gerät immer aus und ziehen Sie den Netzstecker aus der Steckdose, bevor Reinigungsarbeiten durchgeführt werden.
- Der Kältekreis des Gerätes enthält Kohlenwasserstoffe. Das Gerät muss von einer qualifizierten Fachkraft gewartet und nachgefüllt werden.
- Prüfen Sie regelmäßig den Wasserabfluss des Geräts und reinigen Sie ihn gegebenenfalls. Bei verstopftem Wasserabfluss sammelt sich das Abtauwasser am Boden des Geräts an.

2.6 Entsorgung



WARNING!

Verletzungs- und Erstickungsgefahr.

- Trennen Sie das Gerät von der Stromversorgung.
- Schneiden Sie das Netzkabel ab, und entsorgen Sie es.
- Entfernen Sie die Tür, um zu verhindern, dass sich Kinder oder Haustiere in dem Gerät einschließen.
- Der Kältekreislauf und die Isolierungsmaterialien dieses Gerätes sind ozonfreundlich.
- Die Isolierung enthält entzündliches Gas. Für Informationen zur korrekten Entsorgung des Gerätes wenden Sie sich an Ihre kommunale Behörde.
- Achten Sie darauf, dass die Kühleinheit in der Nähe des

Wärmetauschers nicht beschädigt wird.

3. BETRIEB

3.1 Einschalten des Geräts

Stecken Sie den Stecker in die Netzsteckdose.

Drehen Sie den Temperaturregler im Uhrzeigersinn auf eine mittlere Einstellung.

3.2 Ausschalten des Geräts

Drehen Sie den Temperaturregler zum Ausschalten des Geräts in die Position „0“.

3.3 Temperaturregelung

Die Temperatur wird automatisch geregelt.

Bedienen Sie das Gerät wie folgt:

- Drehen Sie den Temperaturregler auf eine niedrigere Einstellung, um die minimal mögliche Kühlung zu erreichen.
- Drehen Sie den Temperaturregler auf eine höhere Einstellung, um die maximal mögliche Kühlung zu erreichen.



Eine mittlere Einstellung ist im Allgemeinen am besten geeignet.

Allerdings muss für eine exakte Einstellung berücksichtigt werden, dass die Temperatur im Inneren des Geräts von verschiedenen Faktoren abhängt:

- Raumtemperatur
- Häufigkeit der Türöffnung
- Menge der eingelagerten Lebensmittel
- Standort des Geräts.



Ist die Umgebungstemperatur hoch oder das Gerät voll beladen, dieses aber auf die niedrigste Temperatur eingestellt, so kann es bei andauerndem Betrieb des Geräts an der Rückwand zu Reifbildung kommen. In diesem Fall muss eine höhere Temperatur gewählt werden, die ein automatisches Abtauen ermöglicht und damit auch einen niedrigeren Energieverbrauch.

4. ERSTE INBETRIEBNAHME

4.1 Reinigen des Innenraums

Bevor Sie das Gerät in Betrieb nehmen, beseitigen Sie den typischen "Neugeruch" am besten durch Auswaschen der Innenteile mit lauwarmem Wasser und einer neutralen Seife. Sorgfältig nachtrocknen.



ACHTUNG!

Verwenden Sie keine Reinigungsmittel oder Scheuerpulver, da diese die Oberfläche beschädigen.

5. TÄGLICHER GEBRAUCH



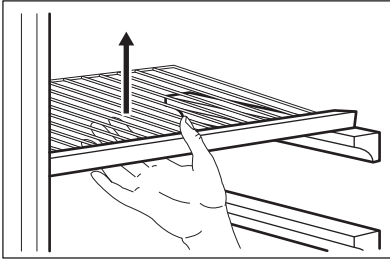
WARNUNG!

Siehe Kapitel Sicherheitshinweise.

5.1 Verstellbare Ablagen

Die Wände des Kühlschranks sind mit einer Reihe von Führungsschienen ausgestattet, die verschiedene

Möglichkeiten für das Einsetzen der Ablagen bieten.

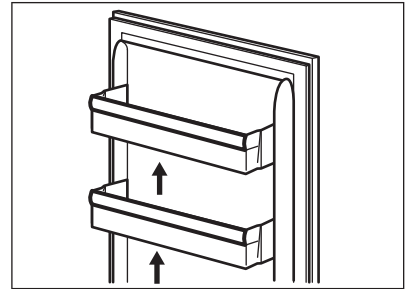


5.2 Positionierung der Türablagen

Die Türablagen können in verschiedener Höhe positioniert werden; damit

ermöglichen sie das Lagern verschieden großer Lebensmittelpackungen.

1. Ziehen Sie die Ablage langsam in Pfeilrichtung, bis sie sich löst.
2. Setzen Sie die Ablage in der gewünschten Höhe wieder ein.



6. TIPPS UND HINWEISE

6.1 Normale Betriebsgeräusche

Folgende Geräusche sind während des normalen Gerätebetriebs normal:

- Ein leichtes Gurgeln und Blubbern, wenn das Kältemittel durch die Leitungen gepumpt wird.
- Ein Surren und ein pulsierendes Geräusch vom Kompressor, wenn das Kältemittel durch die Leitungen gepumpt wird.
- Ein plötzliches Knackgeräusch aus dem Geräterinneren, verursacht durch thermische Ausdehnung (eine natürliche und nicht gefährliche physikalische Erscheinung).
- Leises Klicken des Temperaturreglers, wenn sich der Kompressor ein- oder ausschaltet.

6.2 Energiespartipps

- Öffnen Sie die Tür nicht zu häufig, und lassen Sie diese nicht länger offen als notwendig.
- Wenn die Umgebungstemperatur hoch ist, der Temperaturregler auf eine niedrige Temperatur eingestellt und das Gerät voll beladen ist, kann es zu andauerndem Betrieb des Kompressors und damit zu Reif- oder Eisbildung am Verdampfer kommen.

Stellen Sie in diesem Fall den Temperaturregler auf eine höhere Einstellung ein, die ein automatisches Abtauen und damit auch einen niedrigeren Energieverbrauch ermöglicht.

6.3 Hinweise für die Kühlung frischer Lebensmittel

So erzielen Sie die besten Ergebnisse:

- Legen Sie keine warmen Lebensmittel oder dampfende Flüssigkeiten in den Kühlschrank.
- Decken Sie die Lebensmittel ab oder verpacken Sie diese entsprechend, besonders wenn sie stark riechen.
- Legen Sie die Lebensmittel so hinein, dass um sie Luft frei zirkulieren kann.

6.4 Hinweise für die Kühlung

Tipps:

- Fleisch (alle Sorten): Verpacken Sie Fleisch in einem Frischhaltebeutel und legen Sie diesen auf die Glasablage über der Gemüseschublade.
- Bitte lagern Sie Fleisch aus Sicherheitsgründen nur einen oder maximal zwei Tage auf diese Weise.
- Gekochte Lebensmittel, kalte Gerichte usw.: Diese sollten

abgedeckt auf eine der Ablagen gelegt werden.

- Obst und Gemüse: Gründlich reinigen und in die dafür vorgesehene(n) Schublade(n) legen.
- Butter und Käse: Diese sollten stets in speziellen luftdichten Behältern verpackt sein oder in Aluminiumfolie bzw. in lebensmittelechte Tüten eingepackt werden, um so wenig Luft

wie möglich in der Verpackung zu haben.

- Flaschen: Sie sollten mit Deckel in der Flaschenablage in der Tür oder im Flaschenhalter (falls vorhanden) aufbewahrt werden.
- Bananen, Kartoffeln, Zwiebeln und Knoblauch sollten im Kühlschrank nicht unverpackt aufbewahrt werden.

7. REINIGUNG UND PFLEGE



WARNUNG!

Siehe Kapitel Sicherheitshinweise.

7.1 Allgemeine Warnhinweise



ACHTUNG!

Ziehen Sie vor jeder Wartungsmaßnahme immer den Netzstecker aus der Steckdose.



Dieses Gerät enthält Kohlenwasserstoffe in seinem Kältekreislauf. Aus diesem Grund dürfen die Wartung und das Nachfüllen ausschließlich durch autorisiertes Fachpersonal erfolgen.



Das Zubehör des Geräts und die Innenteile eignen sich nicht für die Reinigung im Geschirrspüler.

7.2 Regelmäßige Reinigung



ACHTUNG!

Ziehen Sie nicht an Leitungen und/oder Kabeln im Innern des Geräts und achten Sie darauf, diese nicht zu verschieben oder zu beschädigen.



ACHTUNG!

Bitte achten Sie darauf, das Kühlsystem nicht zu beschädigen.



ACHTUNG!

Wenn Sie das Gerät verschieben möchten, heben Sie es bitte an der Vorderkante an, um den Fußboden nicht zu verkratzen.

Das gesamte Gerät muss regelmäßig gereinigt werden:

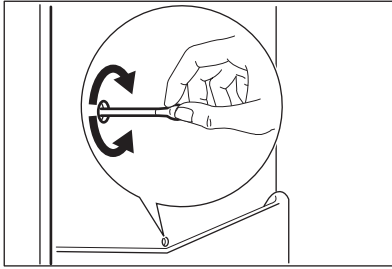
1. Reinigen Sie die Innenseiten und die Zubehörteile mit lauwarmem Wasser und etwas Neutraleife.
2. Prüfen und säubern Sie die Türdichtungen in regelmäßigen Abständen, um zu gewährleisten, dass diese sauber und frei von Fremdkörpern sind.
3. Spülen und trocknen Sie diese sorgfältig ab.
4. Reinigen Sie den Kondensator und den Kompressor auf der Geräterückseite, falls diese zugänglich sind, mit einer Bürste. Dadurch verbessert sich die Leistung des Geräts und es verbraucht weniger Strom.

7.3 Abtauen des Kühlschranks

Bei normalem Betrieb wird Reif bei jedem Anhalten des Kompressors automatisch vom Verdampfer des Kühlschranks entfernt. Das Tauwasser sammelt sich in einer Auffangrinne und läuft durch eine Abflussöffnung in einen speziellen Behälter an der Rückseite des Geräts über dem Kompressor, wo es verdampft.

Reinigen Sie deshalb regelmäßig die Abflussöffnung in der Mitte der

Auffangrinne an der Rückwand des Kühlraums, damit das Tauwasser nicht überläuft und auf die gelagerten Lebensmittel tropft.



WARNUNG!

Möchten Sie bei einer längeren Abwesenheit das Gerät weiterlaufen lassen, bitten Sie jemanden, gelegentlich die Temperatur zu prüfen, damit das Kühlgut bei einem möglichen Stromausfall nicht im Inneren des Geräts verdirbt.

7.4 Stillstandszeiten

Bei längerem Stillstand des Geräts müssen Sie folgende Vorkehrungen treffen:

1. Trennen Sie das Gerät von der Netzstromversorgung.
2. Entnehmen Sie alle Lebensmittel.
3. Lassen Sie die Tür(en) offen, um das Entstehen unangenehmer Gerüche zu vermeiden.

8. FEHLERSUCHE



WARNUNG!

Siehe Kapitel Sicherheitshinweise.

8.1 Was tun, wenn ...

Problem	Mögliche Ursache	Abhilfe
Das Gerät funktioniert nicht.	Das Gerät ist ausgeschaltet.	Schalten Sie das Gerät ein.
	Der Netzstecker wurde nicht richtig in die Steckdose gesteckt.	Stecken Sie den Netzstecker richtig in die Steckdose.
	Es liegt keine Spannung an der Netzsteckdose an.	Testen Sie, ob ein anderes Gerät an dieser Steckdose funktioniert. Wenden Sie sich an einen qualifizierten Elektriker.
Das Gerät ist zu laut.	Unebenheiten im Boden wurden nicht ausgeglichen.	Kontrollieren Sie, ob das Gerät stabil steht.

Problem	Mögliche Ursache	Abhilfe
Die Lampe funktioniert nicht.	Die Lampe befindet sich im Standby-Modus.	Schließen und öffnen Sie die Tür.
	Die Lampe ist defekt.	Siehe hierzu „Austauschen der Lampe“.
Der Kompressor arbeitet ständig.	Die Temperatur ist nicht richtig eingestellt.	Siehe hierzu Kapitel „Betrieb“.
	Es wurden viele Lebensmittel gleichzeitig zum Einfrieren eingelegt.	Warten Sie einige Stunden und prüfen Sie dann die Temperatur erneut.
	Die Raumtemperatur ist zu hoch.	Siehe Klimaklasse auf dem Typenschild.
	In das Gerät eingelegte Lebensmittel waren noch zu warm.	Lassen Sie die Lebensmittel vor dem Einlagern auf Raumtemperatur abkühlen.
Wasser fließt in den Kühlchrank.	Die Tür wurde nicht richtig geschlossen.	Siehe hierzu „Schließen der Tür“.
	Der Wasserablauf ist verstopft.	Reinigen Sie den Wasserablauf.
Die Tür ist nicht richtig ausgerichtet oder berührt das Belüftungsgitter.	Die eingelagerten Lebensmittel verhindern, dass das Wasser zum Wassersammler fließt.	Stellen Sie sicher, dass die Lebensmittel nicht die Rückwand berühren.
	Das Gerät ist nicht eben ausgerichtet.	Siehe hierzu „Ausrichten des Gerätes“.
Die Temperatur im Gerät ist zu hoch/niedrig.	Der Temperaturregler ist nicht richtig eingestellt.	Stellen Sie eine höhere/niedrigere Temperatur ein.
	Die Tür wurde nicht richtig geschlossen.	Siehe hierzu „Schließen der Tür“.
	Die Temperatur der zu kühlenden Lebensmittel ist zu hoch.	Lassen Sie die Lebensmittel auf Raumtemperatur abkühlen, bevor Sie sie in das Gerät stellen.
	Es wurden zu viele Lebensmittel gleichzeitig eingelegt.	Legen Sie weniger Lebensmittel gleichzeitig ein.
	Die Tür wurde zu häufig geöffnet.	Öffnen Sie die Tür nur, wenn es notwendig ist.
	Die Kaltluft kann im Gerät nicht zirkulieren.	Stellen Sie sicher, dass die Kaltluft im Gerät zirkulieren kann.

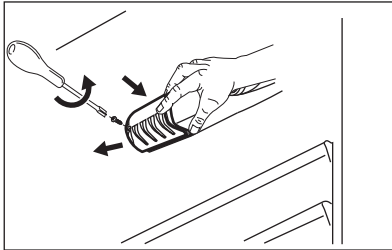


Bitte rufen Sie den nächsten Kundendienst an, wenn alle genannten Abhilfemaßnahmen nicht zum gewünschten Erfolg führen.

8.2 Austauschen der Lampe

Ziehen Sie den Netzstecker aus der Steckdose.

1. Lösen Sie die Schraube an der Lampenabdeckung.
2. Nehmen Sie die Lampenabdeckung ab (siehe hierzu die Abbildung).



3. Ersetzen Sie die alte Lampe durch eine Lampe mit der gleichen

Leistung (die maximal erlaubte Leistung steht auf der Lampenabdeckung), die speziell für Haushaltsgeräte vorgesehen ist.

4. Bringen Sie die Lampenabdeckung an.
5. Ziehen Sie die Schraube an der Lampenabdeckung fest.
6. Stecken Sie den Netzstecker in die Steckdose.
7. Öffnen Sie die Tür. Prüfen Sie, ob die Lampe brennt.

8.3 Schließen der Tür

1. Reinigen Sie die Türdichtungen.
2. Stellen Sie die Tür nach Bedarf ein. Siehe hierzu „Montage“.
3. Ersetzen Sie die defekten Türdichtungen, falls erforderlich. Wenden Sie sich hierzu an den Kundendienst.

9. MONTAGE



WARNUNG!
Siehe Kapitel Sicherheitshinweise.

9.1 Standort

Installieren Sie dieses Gerät in einem trockenen, gut belüfteten Raum, in dem die Umgebungstemperatur mit der Klimaklasse übereinstimmt, die auf dem Typenschild des Geräts angegeben ist:

Klima-klasse	Umgebungstemperatur
SN	+10 °C bis +32 °C
N	+16 °C bis +32 °C
ST	+16 °C bis +38 °C
T	+16 °C bis +43 °C

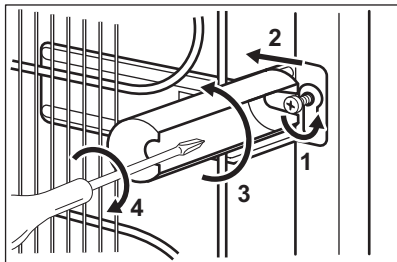


Bei einigen Modellen können Funktionsstörungen auftreten, wenn sie außerhalb dieses Temperaturbereichs betrieben werden. Der ordnungsgemäße Betrieb wird nur innerhalb des angegebenen Temperaturbereichs gewährleistet. Bei Fragen zum Aufstellungsort des Geräts wenden Sie sich an den Verkäufer, unseren Kundendienst oder nächstgelegenen Service-Partner.

9.2 Hintere Distanzstücke

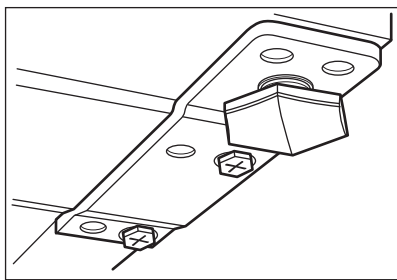
Die beiden Distanzstücke befinden sich im Beutel mit den Unterlagen.

1. Lösen Sie die Schraube.
2. Setzen Sie das Distanzstück unter der Schraube ein.
3. Drehen Sie das Distanzstück in die richtige Position.
4. Ziehen Sie die Schrauben wieder fest.



9.3 Ausrichten

Bei der Aufstellung des Geräts ist dieses waagrecht auszurichten. Dies lässt sich mit zwei Schraubfüßen am vorderen Sockel des Gerätes erreichen.

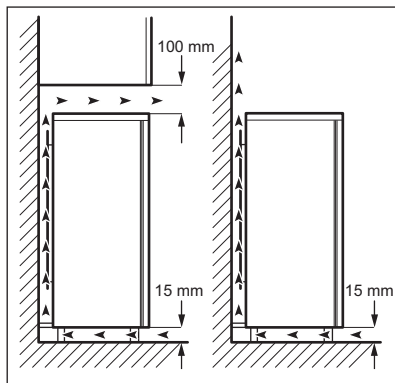


9.4 Aufstellungsort

- i** Es muss möglich sein, das Gerät von der Hauptstromversorgung zu trennen; daher sollte der Netzstecker nach der Montage leicht zugänglich sein.

Das Gerät sollte in ausreichendem Abstand von Wärmequellen wie Heizungen, Boilern, direkter Sonneneinstrahlung etc. aufgestellt werden. Vergewissern Sie sich, dass Luft

an der Rückseite des Gehäuses frei zirkulieren kann. Um einen einwandfreien Betrieb sicherzustellen, sollte der Abstand zwischen der Oberseite des Gehäuses und dem Hängeschrank mindestens 100 mm betragen, wenn das Gerät unter einem Hängeschrank aufgestellt wird. Allerdings sollte die Aufstellung des Geräts unter einem Hängeschrank nach Möglichkeit vermieden werden. Die ordnungsgemäße waagrechte Ausrichtung des Gerätes kann mithilfe eines oder mehrerer verstellbarer Füße am Sockel des Gehäuses erfolgen.



9.5 Wechseln des Türanschlags



WARNUNG!

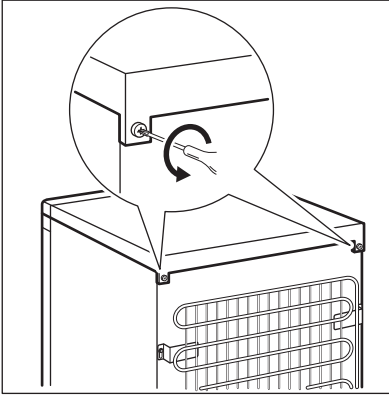
Vor der Durchführung von Arbeiten am Gerät ist stets der Netzstecker aus der Steckdose zu ziehen.



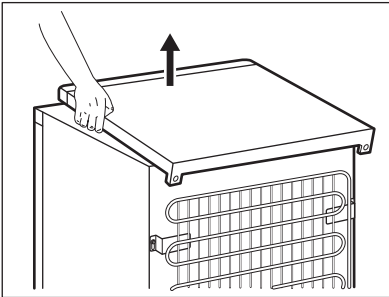
ACHTUNG!

Die nachfolgend beschriebenen Schritte sollten von mindestens zwei Personen durchgeführt werden, um ein Herunterfallen der Türen zu vermeiden.

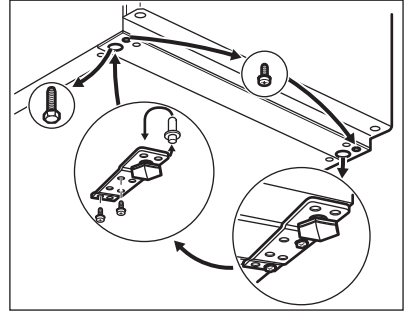
1. Lösen Sie die beiden Schrauben an der Rückseite.



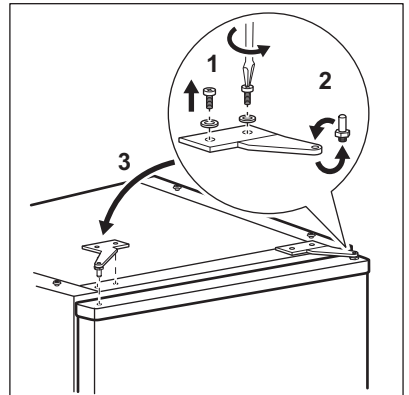
2. Schieben Sie die Arbeitsplatte nach hinten und heben Sie sie an.



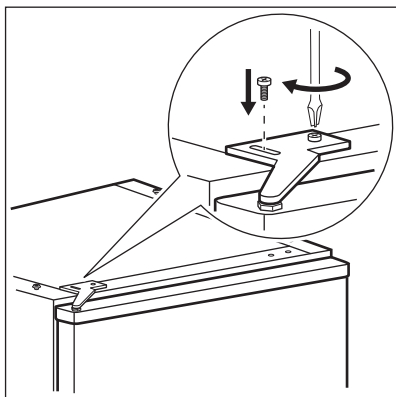
3. Schrauben Sie den linken Standfuß ab.
4. Lösen Sie die Schrauben des unteren Türscharniers. Nehmen Sie das Scharnier ab. Stecken Sie es in Pfeilrichtung auf den Stift.



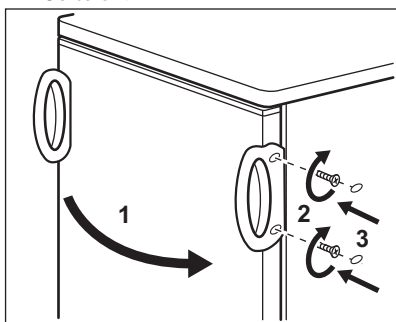
5. Lösen Sie die Schraube und bringen Sie sie an der gegenüberliegenden Seite wieder an.
6. Befestigen Sie das Scharnier an der gegenüberliegenden Seite.
7. Schrauben Sie den rechten Standfuß an.
8. Lösen Sie die Schrauben am oberen Türscharnier.



9. Nehmen Sie das Scharnier ab. Stecken Sie es in Pfeilrichtung auf den Stift. Befestigen Sie das Scharnier an der gegenüberliegenden Seite.



10. Ziehen Sie das Scharnier fest.
11. Platzieren Sie die Arbeitsplatte an der vorgesehenen Position.
12. Schieben Sie diese nach vorn.
13. Schrauben Sie die beiden Schrauben an der Rückseite wieder fest.
14. Entfernen Sie den Griff und bringen Sie ihn an der gegenüberliegenden Seite an.



ACHTUNG!

Rücken Sie das Gerät wieder an die richtige Stelle, und richten Sie es waagrecht aus. Warten Sie mindestens vier Stunden, bevor Sie es wieder an die Stromversorgung anschließen.



Führen Sie eine Endkontrolle durch, um sicherzustellen, dass:

- Alle Schrauben fest angezogen sind.
- Die Magnetdichtung am Gerät anliegt.
- Die Tür ordnungsgemäß öffnet und schließt.

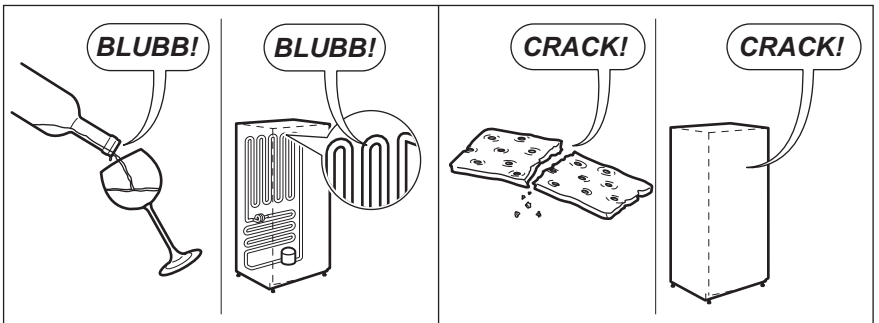
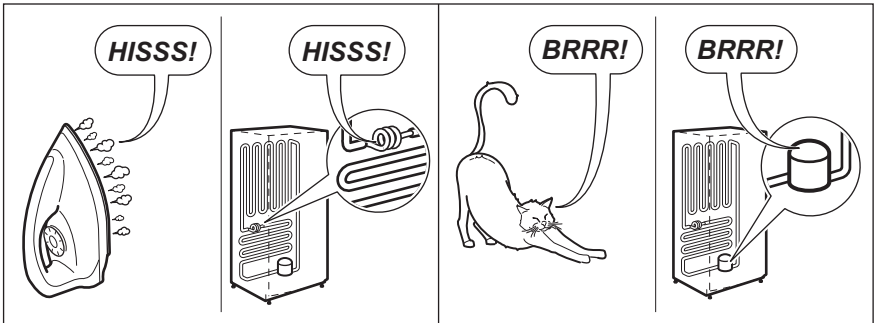
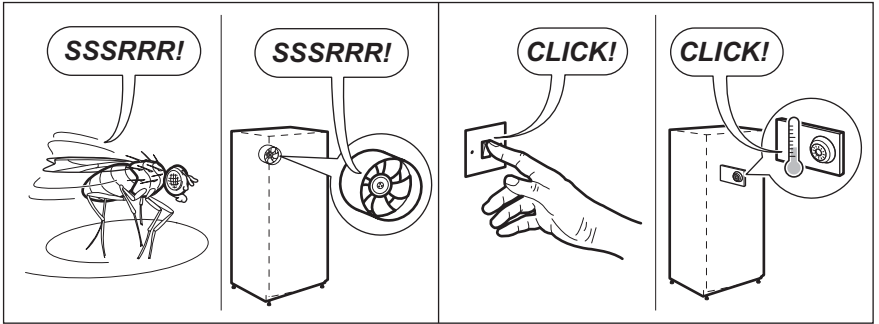
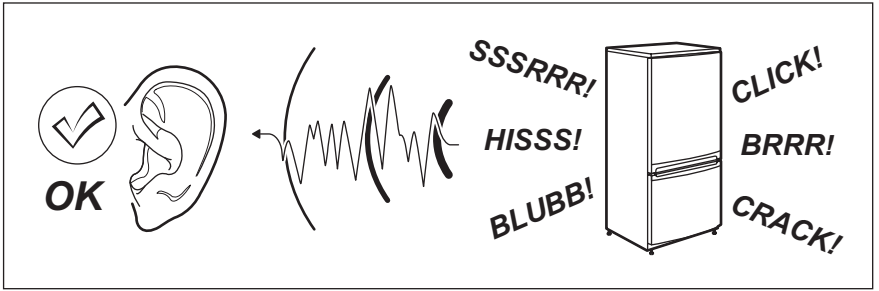
Bei niedrigen Umgebungstemperaturen (z. B. im Winter) kann es vorkommen, dass die Türdichtung nicht richtig am Gerät anliegt. Warten Sie in diesem Fall ab, bis sich die Dichtung allmählich anpasst. Wenden Sie sich an den Kundendienst, wenn Sie bei den oben beschriebenen Schritten Unterstützung benötigen. Ein Kundendiensttechniker wird die Türen dann auf Ihre Kosten umbauen.

9.6 Elektrischer Anschluss

- Kontrollieren Sie vor der ersten Benutzung des Geräts, ob die Netzspannung und -frequenz Ihres Hausanschlusses mit den auf dem Typenschild angegebenen Anschlusswerten übereinstimmen.
- Das Gerät muss geerdet sein. Zu diesem Zweck ist der Netzstecker mit einem Schutzkontakt ausgestattet. Falls die Steckdose Ihres Hausanschlusses nicht geerdet sein sollte, lassen Sie das Gerät gemäß den geltenden Vorschriften von einem qualifizierten Elektriker erden.
- Der Hersteller übernimmt keinerlei Haftung bei Missachtung der vorstehenden Sicherheitshinweise.
- Das Gerät entspricht den EWG-Richtlinien.

10. GERÄUSCHE

Während das Gerät in Betrieb ist, entstehen bestimmte Geräusche (Kompressor und Kühlkreislauf).



11. TECHNISCHE DATEN


11.1 Technische Daten


Höhe	mm	850
Breite	mm	550
Tiefe	mm	612
Spannung	Volt	230 - 240
Frequenz	Hz	50

Die technischen Daten befinden sich auf dem Typenschild auf der Außen- oder

Innenseite des Geräts sowie auf der Energieplakette.

12. UMWELTTIPPS

Recyceln Sie Materialien mit dem Symbol . Entsorgen Sie die Verpackung in den entsprechenden Recyclingbehältern. Recyceln Sie zum Umwelt- und Gesundheitsschutz elektrische und elektronische Geräte. Entsorgen Sie

Geräte mit diesem Symbol  nicht mit dem Hausmüll. Bringen Sie das Gerät zu Ihrer örtlichen Sammelstelle oder wenden Sie sich an Ihr Gemeindeamt.

INDICE

1. INFORMAZIONI PER LA SICUREZZA.....	47
2. ISTRUZIONI DI SICUREZZA.....	48
3. USO DELL'APPARECCHIO.....	50
4. PRIMO UTILIZZO.....	50
5. UTILIZZO QUOTIDIANO.....	50
6. CONSIGLI E SUGGERIMENTI UTILI.....	51
7. PULIZIA E CURA.....	52
8. RISOLUZIONE DEI PROBLEMI.....	53
9. INSTALLAZIONE.....	55
10. RUMORI.....	58
11. DATI TECNICI.....	59

PER RISULTATI PERFETTI

Grazie per aver scelto di acquistare questo prodotto AEG. Lo abbiamo creato per fornirvi prestazioni impeccabili per molti anni, grazie a tecnologie innovative che vi semplificheranno la vita - funzioni che non troverete sulle normali apparecchiature. Vi invitiamo a dedicare qualche minuto alla lettura del presente manuale, per conoscere come trarre il massimo vantaggio dall'utilizzo della vostra apparecchiatura.

Visitate il nostro sito web per:



Ricevere consigli, scaricare i nostri opuscoli, eliminare eventuali anomalie, ottenere informazioni sull'assistenza:

www.aeg.com



Registrare il vostro prodotto e ricevere un servizio migliore:

www.registreaeg.com



Acquistare accessori, materiali di consumo e ricambi originali per la vostra apparecchiatura:

www.aeg.com/shop

SERVIZIO CLIENTI E MANUTENZIONE

Consigliamo sempre l'impiego di ricambi originali.

Quando si contatta il Centro di Assistenza, accertarsi di disporre dei seguenti dati: Modello, PNC, numero di serie.

Le informazioni si trovano sulla targhetta dei dati.



Avvertenza/Attenzione - Importanti Informazioni per la sicurezza



Informazioni e suggerimenti generali



Informazioni sull'ambiente

Con riserva di modifiche.

1. ⚠️ INFORMAZIONI PER LA SICUREZZA

Leggere attentamente le istruzioni fornite prima di installare e utilizzare l'apparecchiatura. Il produttore non è responsabile se un'installazione ed un uso non corretto dell'apparecchiatura provocano lesioni e danni. Tenere sempre le istruzioni a portata di mano come riferimento futuro.

1.1 Sicurezza dei bambini e delle persone vulnerabili

- Questa apparecchiatura può essere usata da bambini a partire dagli 8 anni e da adulti con limitate capacità fisiche, sensoriali o mentali o con scarsa esperienza o conoscenza sull'uso dell'apparecchiatura, solamente se sorvegliati o se istruiti relativamente all'uso dell'apparecchiatura e se hanno compreso i rischi coinvolti.
- Non consentire ai bambini di giocare con l'apparecchiatura.
- La pulizia e gli interventi di manutenzione non devono essere eseguiti dai bambini senza supervisione.
- Tenere i materiali di imballaggio al di fuori della portata dei bambini.

1.2 Avvertenze di sicurezza generali

- L'apparecchiatura è destinata all'uso domestico e applicazioni simili, tra cui:
 - case di campagna; cucine di negozi, uffici e altri ambienti di lavoro
 - clienti di hotel, motel, bed and breakfast e altri ambienti residenziali
- Verificare che le aperture di ventilazione, sia sull'apparecchiatura che nella struttura da incasso, non siano ostruite.
- Non usare dispositivi elettrici o altri mezzi artificiali non raccomandati dal produttore allo scopo di accelerare il processo di sbrinamento.

- Non danneggiare il circuito refrigerante.
- Non utilizzare apparecchiature elettriche all'interno dei compartimenti di conservazione degli alimenti, ad eccezione di quelli consigliati dal costruttore.
- Non nebulizzare acqua né utilizzare vapore per pulire l'apparecchiatura.
- Pulire l'apparecchiatura con un panno inumidito e morbido. Utilizzare solo detergenti neutri. Non usare prodotti abrasivi, spugnette abrasive, solventi od oggetti metallici.
- Non conservare in questa apparecchiatura sostanze esplosive come bombolette spray contenenti un propellente infiammabile.
- Se il cavo di alimentazione è danneggiato, deve essere sostituito dal produttore, da un tecnico autorizzato o da una persona qualificata per evitare situazioni di pericolo.

2. ISTRUZIONI DI SICUREZZA

2.1 Installazione



ATTENZIONE!

L'installazione dell'apparecchiatura deve essere eseguita da personale qualificato.

- Rimuovere tutti i materiali di imballaggio.
- Non installare o utilizzare l'apparecchiatura se è danneggiata.
- Attenersi alle istruzioni fornite insieme all'apparecchiatura.
- Prestare sempre attenzione in fase di spostamento dell'apparecchiatura, dato che è molto pesante. Indossare sempre guanti di sicurezza.
- Assicurarci che l'aria possa circolare liberamente attorno all'apparecchiatura.
- Attendere almeno 4 ore prima di collegare l'apparecchiatura all'alimentazione. Questo serve a consentire all'olio di fluire nuovamente nel compressore.

- Non installare l'apparecchiatura in prossimità di radiatori, fornelli, forni o piani di cottura.
- La superficie posteriore dell'apparecchiatura deve essere appoggiata alla parete.
- Non installare l'apparecchiatura dove sia esposta alla luce solare diretta.
- Non installare questa apparecchiatura in luoghi troppo umidi o freddi, come aggiunte strutturali, garage o cantine.
- Quando si sposta l'apparecchiatura, sollevarla dal bordo anteriore, così da non graffiare il pavimento.

2.2 Collegamento elettrico



ATTENZIONE!

Rischio di incendio e scossa elettrica.

- L'apparecchiatura deve disporre di una messa a terra.
- Verificare che i dati elettrici riportati sulla targhetta dei dati corrispondano a quelli dell'impianto. In caso contrario, contattare un elettricista.

- Utilizzare sempre una presa elettrica con contatto di protezione correttamente installata.
- Non utilizzare prese multiple e prolunghie.
- Accertarsi di non danneggiare i componenti elettrici (ad es. la spina di alimentazione, il cavo di alimentazione, il compressore). Contattare il Centro di Assistenza o un elettricista per sostituire i componenti elettrici.
- Il cavo di alimentazione deve rimanere sotto il livello della spina di alimentazione.
- Inserire la spina di alimentazione nella presa solo al termine dell'installazione. Verificare che la spina di alimentazione rimanga accessibile dopo l'installazione.
- Non tirare il cavo di alimentazione per scollegare l'apparecchiatura. Tirare sempre dalla spina.

2.3 Utilizzo



ATTENZIONE!

Rischio di lesioni, scottature o scosse elettriche.

- Non apportare modifiche alle specifiche di questa apparecchiatura.
- Non introdurre apparecchiature elettriche (ad es. gelatiere) nell'apparecchiatura se non specificamente consentito dal produttore.
- Fare attenzione a non danneggiare il circuito refrigerante. Esso contiene isobutano (R600a), un gas naturale con un alto livello di compatibilità ambientale, tuttavia il gas è infiammabile.
- Nel caso di danno al circuito refrigerante, assicurarsi che non si sviluppino fiamme libere e scintille nel locale. Aerare bene l'ambiente.
- Non appoggiare oggetti incandescenti sulle parti in plastica dell'apparecchiatura.
- Non conservare gas e liquidi infiammabili nell'apparecchiatura.
- Non appoggiare o tenere liquidi o materiali infiammabili, né oggetti facilmente incendiabili

sull'apparecchiatura, al suo interno o nelle immediate vicinanze.

- Non toccare il compressore o il condensatore. Sono incandescenti.

2.4 Luce interna

- Il tipo di lampadina utilizzata per questa apparecchiatura non può essere utilizzato per l'illuminazione domestica

2.5 Pulizia e cura



ATTENZIONE!

Vi è il rischio di ferirsi o danneggiare l'apparecchiatura.

- Prima di eseguire qualunque intervento di manutenzione, spegnere l'apparecchiatura ed estrarre la spina dalla presa.
- L'unità refrigerante di questa apparecchiatura contiene idrocarburi. L'unità deve essere ricaricata ed ispezionata esclusivamente da personale qualificato.
- Controllare regolarmente lo scarico dell'apparecchiatura e, se necessario, pulirlo. L'ostruzione dello scarico può causare un deposito di acqua di sbrinamento sul fondo dell'apparecchiatura.

2.6 Smaltimento



ATTENZIONE!

Rischio di lesioni o soffocamento.

- Staccare la spina dall'alimentazione elettrica.
- Tagliare il cavo di rete e smaltirlo.
- Rimuovere la porta per evitare che bambini e animali domestici rimangano chiusi all'interno dell'apparecchiatura.
- Il circuito refrigerante e i materiali di isolamento di questa apparecchiatura rispettano l'ozono.
- La schiuma isolante contiene gas infiammabili. Contattare le autorità locali per ricevere informazioni su come smaltire correttamente l'apparecchiatura.

- Non danneggiare i componenti dell'unità refrigerante che si trovano vicino allo scambiatore di calore.

3. USO DELL'APPARECCHIO

3.1 Accensione

Inserire la spina nella presa.

Impostare il regolatore di temperatura a un livello medio, ruotandolo in senso orario.

3.2 Spegnimento

Per spegnere l'apparecchiatura, ruotare il regolatore di temperatura in posizione "O".

3.3 Regolazione della temperatura

La temperatura viene regolata automaticamente.

Per mettere in funzione l'apparecchiatura, procedere come segue:

- impostare il regolatore di temperatura a un livello basso per ottenere un raffreddamento minimo.
- ruotare il regolatore di temperatura verso le impostazioni superiori per aumentare l'intensità del raffreddamento.



In condizioni normali, si consiglia di utilizzare una regolazione media.

Tuttavia, è importante ricordare che la temperatura all'interno dell'apparecchiatura dipende dai seguenti fattori:

- temperatura ambiente
- frequenza di apertura del coperchio
- quantità di alimenti conservati
- posizione dell'apparecchiatura.



Se la temperatura ambiente è elevata o l'apparecchiatura è a pieno carico e l'apparecchiatura è impostata sulla temperatura minima, questa potrebbe rimanere attiva ininterrottamente formando della brina sulla parete posteriore. In questo caso, impostare una temperatura più elevata per consentire lo sbrinamento automatico e ridurre così il consumo di energia.

4. PRIMO UTILIZZO

4.1 Pulizia dell'interno

Prima di utilizzare l'apparecchiatura per la prima volta, lavare l'interno e gli accessori con acqua tiepida e sapone neutro per eliminare il tipico odore dei prodotti nuovi, quindi asciugare accuratamente.



AVVERTENZA!

Non usare detergenti corrosivi o polveri abrasive che possano danneggiare la finitura.

5. UTILIZZO QUOTIDIANO

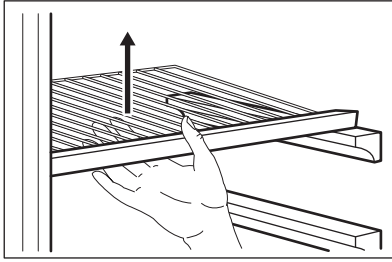


ATTENZIONE!

Fare riferimento ai capitoli sulla sicurezza.

5.1 Ripiani rimovibili

Le guide presenti sulle pareti del frigorifero permettono di posizionare i ripiani a diverse altezze.

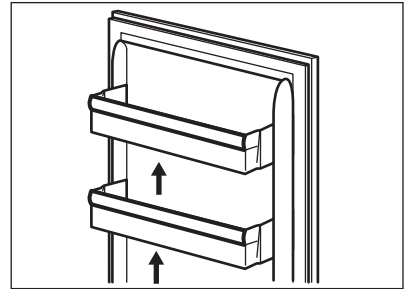


5.2 Posizionamento dei ripiani della porta

Per facilitare l'introduzione di alimenti di diverse dimensioni, i ripiani della porta

possono essere posizionati ad altezze differenti.

1. Tirare gradualmente il ripiano nella direzione indicata dalle frecce fino a sbloccarlo.
2. Riposizionare secondo necessità.



6. CONSIGLI E SUGGERIMENTI UTILI

6.1 Rumori normali durante il funzionamento

I seguenti rumori sono da considerarsi normali:

- Un gorgoglio o borbottio dalle serpentine quando viene pompato il refrigerante.
- Un ronzio o un rumore pulsante dal compressore quando viene pompato il refrigerante.
- Uno schiocco improvviso dall'interno dell'apparecchiatura causato dalla dilatazione termica (fenomeno fisico naturale e non pericoloso).
- Un lieve scatto dal regolatore della temperatura quando il compressore si accende e si spegne.

6.2 Consigli per il risparmio energetico

- Non aprire frequentemente la porta e limitare il più possibile i tempi di apertura.
- Se la temperatura ambiente è elevata, il regolatore della temperatura è impostato su un valore basso e l'apparecchiatura è a pieno carico, il compressore può funzionare in maniera ininterrotta, causando la formazione di brina o di ghiaccio sull'evaporatore. In tal caso, ruotare il regolatore della temperatura verso

temperature più calde per consentire lo sbrinamento automatico e ridurre il consumo energetico.

6.3 Consigli per la refrigerazione dei cibi freschi

Per ottenere risultati ottimali:

- non introdurre alimenti o liquidi caldi nel vano frigorifero
- coprire o avvolgere gli alimenti, in particolare quelli con un gusto o un aroma forte
- disporre gli alimenti in modo da garantire un'adeguata circolazione dell'aria

6.4 Consigli per la refrigerazione

Consigli utili:

- Carne (tutti i tipi): deve essere avvolta in sacchetti di polietilene e collocata sul ripiano di vetro, sopra il cassetto delle verdure.
- La carne conservata in questo modo deve essere consumata entro uno o due giorni.
- Alimenti cotti, piatti freddi, ecc.: devono essere coperti e possono essere disposti su qualsiasi ripiano.
- Frutta e verdura: devono essere pulite accuratamente e poste negli appositi cassette.

- Burro e formaggio: devono essere chiusi in contenitori ermetici o in sacchetti di polietilene oppure avvolti con pellicola di alluminio, per limitare il più possibile il contatto con l'aria.
- Bottiglie: devono essere chiuse mediante tappo e conservate sul

ripiano portabottiglie della porta, o (se presente) sulla griglia portabottiglie.

- Non conservare in frigorifero banane, patate, cipolle o aglio non confezionati.

7. PULIZIA E CURA



ATTENZIONE!

Fare riferimento ai capitoli sulla sicurezza.

7.1 Avvertenze generali



AVVERTENZA!

Prima di qualsiasi intervento di manutenzione, estrarre la spina dalla presa.



Questa apparecchiatura contiene idrocarburi nell'unità di raffreddamento, pertanto le operazioni di manutenzione e ricarica devono essere eseguite esclusivamente da personale autorizzato.



Gli accessori e i componenti dell'apparecchiatura non sono lavabili in lavastoviglie.

7.2 Pulizia periodica



AVVERTENZA!

Evitare di tirare, spostare o danneggiare tubi e/o cavi all'interno dell'apparecchiatura.



AVVERTENZA!

Prestare attenzione a non danneggiare il sistema refrigerante.



AVVERTENZA!

Quando si sposta l'apparecchiatura, sollevarla per il bordo anteriore, così da non graffiare il pavimento.

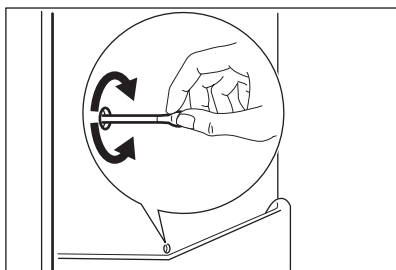
L'apparecchiatura deve essere pulita regolarmente:

1. Lavare l'interno e gli accessori con acqua tiepida e sapone neutro.
2. Ispezionare regolarmente le guarnizioni della porta ed eliminare con un panno umido tracce di sporco e residui.
3. Risciacquare e asciugare accuratamente.
4. Pulire il condensatore e il compressore sul retro dell'apparecchiatura con una spazzola.
Questa operazione migliorerà le prestazioni dell'apparecchiatura riducendone i consumi di energia.

7.3 Sbrinamento del frigorifero

Durante l'uso normale, la brina viene eliminata automaticamente dall'evaporatore del vano frigorifero ogni volta che il motore compressore si arresta. L'acqua di sbrinamento giunge attraverso un condotto in un apposito recipiente posto sul retro dell'apparecchiatura, sopra il motore compressore, dove evapora.

È importante pulire periodicamente il foro di scarico dell'acqua di sbrinamento, situato al centro del canale sulla parete posteriore, per evitare che l'acqua fuoriesca sugli alimenti.



7.4 Periodi di non utilizzo

Se l'apparecchiatura non viene utilizzata per un lungo periodo, adottare le seguenti precauzioni:

1. Scollegare l'apparecchiatura dalla rete elettrica.
2. Estrarre tutti gli alimenti
3. Lasciare la porta/le porte socchiusa/e per evitare la formazione di odori sgradevoli.



ATTENZIONE!

Se l'apparecchiatura rimane accesa, farla controllare periodicamente per evitare che gli alimenti si deteriorino in caso di interruzione della corrente elettrica.

8. RISOLUZIONE DEI PROBLEMI



ATTENZIONE!

Fare riferimento ai capitoli sulla sicurezza.

8.1 Cosa fare se...

Problema	Causa possibile	Soluzione
L'apparecchiatura non funziona.	L'apparecchiatura è spenta.	Accendere l'apparecchiatura.
	La spina non è inserita correttamente nella presa di alimentazione.	Inserire correttamente la spina nella presa di alimentazione.
	Assenza di tensione nella presa di alimentazione.	Collegare alla presa di alimentazione un'altra apparecchiatura elettrica. Rivolgersi ad un elettricista qualificato.
L'apparecchiatura è rumorosa.	L'apparecchiatura non è appoggiata in modo corretto.	Controllare se l'apparecchiatura è appoggiata in modo stabile.
La lampadina non si accende.	La lampadina è in modalità stand-by.	Chiudere e riaprire la porta.
	La lampadina è difettosa.	Fare riferimento alla sezione "Sostituzione della lampadina".
Il compressore rimane sempre in funzione.	La temperatura impostata non è corretta.	Fare riferimento al capitolo "Uso dell'apparecchiatura".
	Sono stati introdotti insieme molti alimenti da surgelare.	Attendere alcune ore e ricontrollare la temperatura.

Problema	Causa possibile	Soluzione
	La temperatura ambiente è troppo alta.	Fare riferimento al grafico della classe climatica sulla targhetta dei dati.
	Gli alimenti introdotti nell'apparecchiatura erano troppo caldi.	Lasciar raffreddare gli alimenti a temperatura ambiente prima di introdurli.
	La porta non è chiusa correttamente.	Consultare la sezione "Chiusura della porta".
All'interno del frigorifero scorre acqua.	Lo scarico dell'acqua è ostruito.	Pulire lo scarico dell'acqua.
	Gli alimenti impediscono all'acqua di scorrere nell'apposito collettore.	Evitare di disporre gli alimenti direttamente contro la parete posteriore.
La porta non è allineata o interferisce con la griglia di ventilazione.	L'apparecchiatura non è correttamente livellata.	Fare riferimento alla sezione "Livellamento".
La temperatura all'interno dell'apparecchiatura è troppo bassa/troppo alta.	Il regolatore della temperatura non è impostato correttamente.	Impostare una temperatura superiore/inferiore.
	La porta non è chiusa correttamente.	Consultare la sezione "Chiusura della porta".
	La temperatura degli alimenti è troppo alta.	Prima di introdurre gli alimenti, lasciarli raffreddare a temperatura ambiente.
	Sono stati introdotti molti alimenti contemporaneamente.	Introdurre gli alimenti un po' alla volta.
	La porta viene aperta frequentemente.	Aprire la porta solo se necessario.
	L'aria fredda non circola correttamente all'interno dell'apparecchiatura.	Adottare le misure necessarie per garantire una corretta circolazione dell'aria fredda.

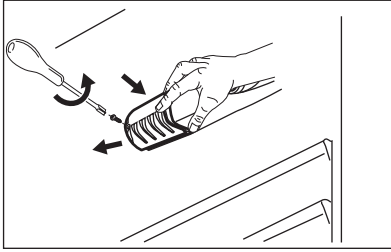


Se il consiglio non dà risultati, contattare il Centro di Assistenza più vicino.

8.2 Sostituzione della lampadina

Estrarre la spina dalla presa di corrente.

1. Rimuovere la vite dal coprilampada.
2. Rimuovere il coprilampada (vedere la figura).



3. Sostituire la lampadina con una nuova della stessa potenza (la potenza massima è indicata sul coprilampada) concepita in modo specifico per elettrodomestici.
4. Installare il coprilampada.
5. Serrare la vite del coprilampada.
6. Inserire la spina nella presa.
7. Aprire la porta.

9. INSTALLAZIONE



ATTENZIONE!

Fare riferimento ai capitoli sulla sicurezza.

9.1 Luogo d'installazione

Installare l'apparecchiatura in un luogo asciutto, ben ventilato, la cui temperatura ambiente corrisponda alla classe climatica indicata sulla targhetta dei dati del modello:

Classe climati- ca	Temperatura ambiente
SN	da +10°C a +32°C
N	da +16°C a +32°C
ST	da +16°C a +38°C
T	da +16°C a +43°C

Controllare che la luce si accenda.

8.3 Chiusura della porta

1. Pulire le guarnizioni della porta.
2. Se necessario, regolare la porta. Fare riferimento alla sezione "Installazione".
3. Se necessario, sostituire le guarnizioni difettose. Contattare il Centro di Assistenza.

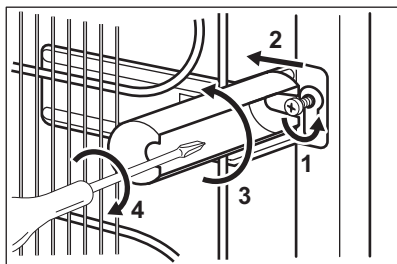


In alcuni modelli potrebbero verificarsi delle anomalie se non si rispettano le temperature indicate. Il corretto funzionamento può essere garantito solo nel rispetto delle temperature indicate. In caso di dubbi sul luogo di installazione dell'apparecchiatura, contattare il venditore, il nostro Centro di Assistenza o il rivenditore più vicino.

9.2 Distanziatori posteriori

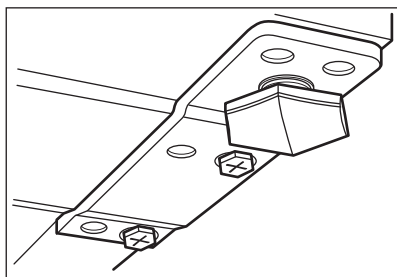
Nel sacchetto contenente la documentazione sono presenti due distanziatori.

1. Svitare la vite.
2. Sistemare il distanziatore al di sotto della vite.
3. Ruotare il distanziatore verso destra.
4. Serrare nuovamente le viti.



9.3 Livellamento

L'apparecchiatura deve trovarsi perfettamente in piano. Per correggere gli eventuali dislivelli è possibile regolare in altezza i due piedini anteriori.

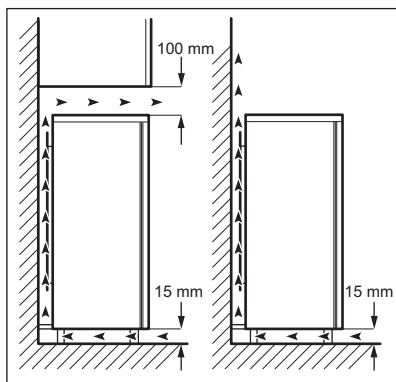


9.4 Ubicazione



L'apparecchiatura deve poter essere scollegabile dalla presa di corrente; pertanto, al termine dell'installazione, la spina deve essere facilmente accessibile.

L'apparecchiatura deve essere installata lontano da fonti di calore come per esempio termosifoni, boiler, luce solare diretta, ecc. Verificare che sul lato posteriore sia garantita un'adeguata circolazione dell'aria. Per ottenere prestazioni ottimali, se l'apparecchiatura è installata sotto un pensile, si raccomanda di mantenere una distanza minima di 100 mm tra quest'ultimo e lo spigolo superiore dell'apparecchiatura. Se possibile, tuttavia, evitare di installare l'apparecchiatura sotto un pensile. Per consentire un perfetto livellamento dell'apparecchiatura sono disponibili uno o più piedini regolabili.



9.5 Possibilità di invertire la porta



ATTENZIONE!

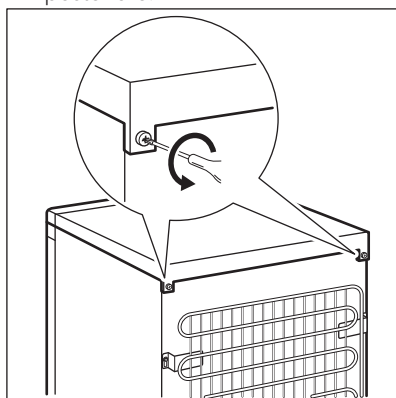
Prima di eseguire le operazioni descritte, estrarre la spina dalla presa di corrente.



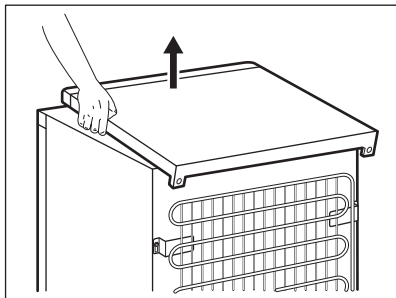
AVVERTENZA!

Per effettuare le seguenti operazioni, si raccomanda di farsi aiutare da un'altra persona che tenga ben ferme le porte dell'apparecchiatura.

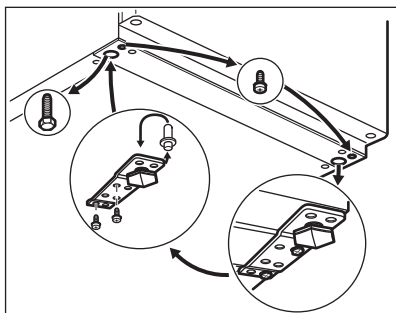
1. Estrarre le due viti situate sul lato posteriore.



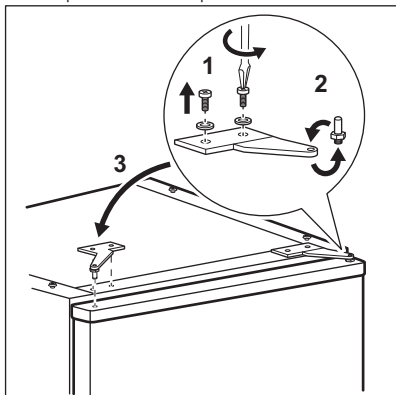
2. Spingere all'indietro la copertura superiore e sollevarla.



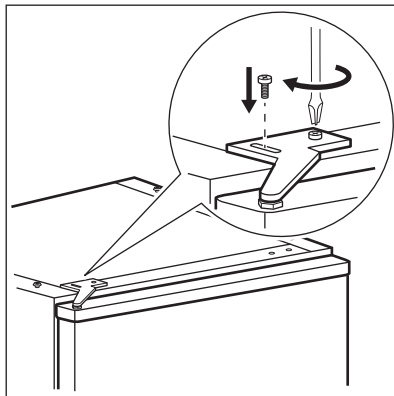
3. Svitare il piedino sinistro.
4. Rimuovere le viti dalla cerniera inferiore della porta. Rimuovere la cerniera. Inserire il perno nella direzione della freccia.



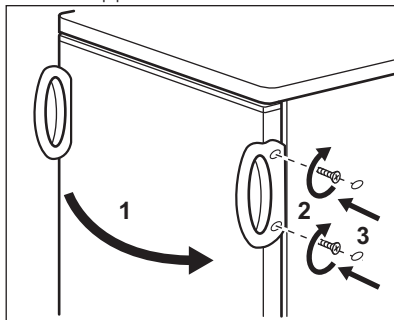
5. Rimuovere la vite e installarla sul lato opposto.
6. Installare la cerniera sul lato opposto.
7. Avvitare il piedino destro.
8. Rimuovere le viti dalla cerniera superiore della porta.



9. Rimuovere la cerniera. Inserire il perno nella direzione della freccia. Installare la cerniera sul lato opposto.



10. Fissare la cerniera.
11. Riapplicare la copertura superiore.
12. Premere sul lato anteriore della copertura.
13. Stringere le due viti sul lato posteriore.
14. Rimuovere la maniglia e installarla sul lato opposto.



AVVERTENZA!

Riposizionare l'apparecchiatura, livellarla, attendere almeno quattro ore e inserire la spina nella presa.



Eseguire un controllo finale per accertarsi che:

- Tutte le viti siano serrate.
- La guarnizione magnetica aderisca all'apparecchiatura.
- La porta si apra e si chiuda correttamente.

Se la temperatura ambiente è bassa (ad esempio in inverno), è possibile che la guarnizione non aderisca perfettamente all'apparecchiatura. In tal caso, attendere che aderisca naturalmente.

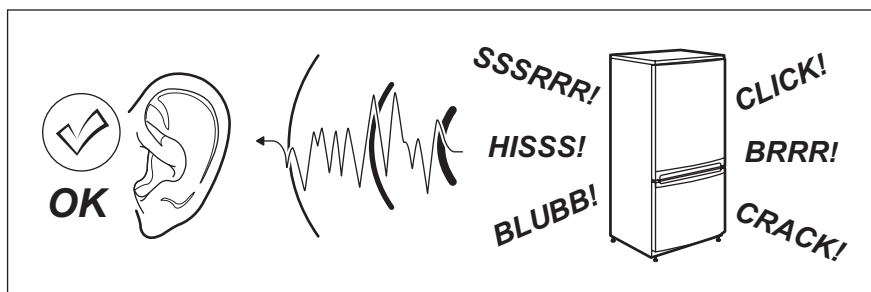
Per chi preferisce non eseguire direttamente le operazioni sopra descritte, consigliamo di rivolgersi al Centro di Assistenza più vicino. L'intervento di inversione delle porte, eseguito dai tecnici del servizio post-vendita, sarà a carico dell'utente.

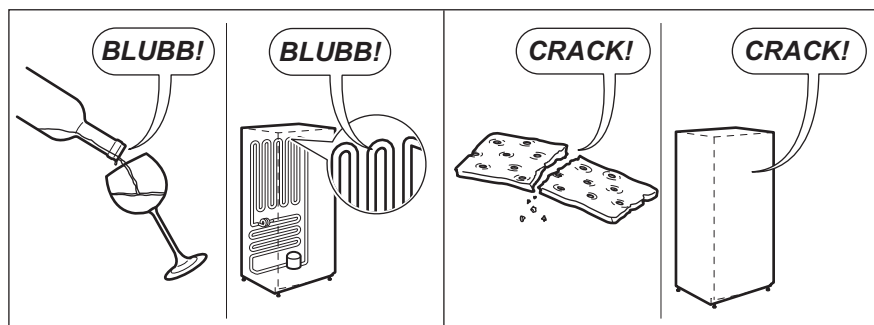
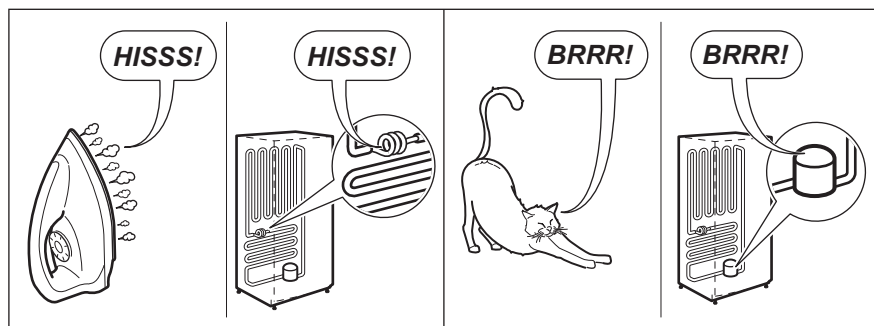
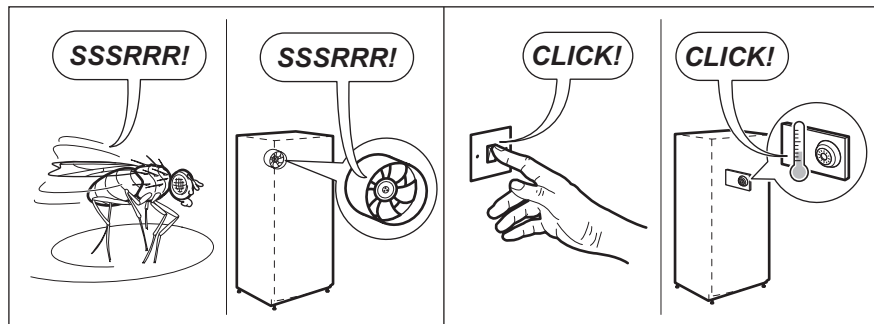
9.6 Collegamento elettrico

- Prima di inserire la spina, verificare che la tensione e la frequenza riportate sulla targhetta dei dati corrispondano a quelle dell'impianto domestico.
- L'apparecchiatura deve disporre di una messa a terra. La spina del cavo di alimentazione è dotata di un apposito contatto. Se la presa di corrente dell'impianto domestico non è collegata a terra, allacciare l'apparecchiatura a una presa di terra separata in conformità alle norme in vigore, rivolgendosi a un elettricista qualificato.
- Il produttore declina ogni responsabilità qualora le suddette precauzioni di sicurezza non vengano rispettate.
- Questa apparecchiatura è conforme alle direttive CEE.

10. RUMORI

Durante l'uso, alcuni rumori di funzionamento (come quelli del compressore o del circuito refrigerante) sono da considerarsi normali.





11. DATI TECNICI

11.1 Dati tecnici


Altezza	mm	850
Larghezza	mm	550
Profondità	mm	612
Tensione	Volt	230 - 240


Frequenza	Hz	50
-----------	----	----

I dati tecnici sono riportati sulla targhetta dei dati applicata sul lato esterno o

interno dell'apparecchiatura e sull'etichetta dei valori energetici.

12. CONSIDERAZIONI SULL'AMBIENTE

Riciclare i materiali con il simbolo .
Buttare l'imballaggio negli appositi contenitori per il riciclaggio. Aiutare a proteggere l'ambiente e la salute umana e a riciclare rifiuti derivanti da apparecchiature elettriche ed elettroniche. Non smaltire le

apparecchiature che riportano il simbolo  insieme ai normali rifiuti domestici. Portare il prodotto al punto di riciclaggio più vicino o contattare il comune di residenza.

www.aeg.com/shop



212000777-A-262014

