
Flat Glass Chimney Extractor

LAM2501



User & Installation Guide

LAMONA
Exclusive to Howdens Joinery Co.

Dear Customer,

Congratulations on your choice of a LAMONA domestic appliance which has been designed to give you excellent service.

The user manual will help you use your product quickly and safely.

- Please read this user manual before installing and using the product.
- Always follow the safety instructions.
- Keep this user manual within easy reach for future reference.
- Please read any other documents supplied with the product.

Explanation of symbols

Throughout this user manual the following symbols are used:



Important information or useful tips about usage.



Warning for possible hazards to health and property.



Warning possibility of electric shock.

This appliance is marked according to the European Directive 2012/19/EU on Waste Electrical and Electronic Equipment (WEEE). By ensuring this product is disposed of correctly you will help prevent potential negative consequences for the environment and human health. The symbol on this product indicates that this product may not be treated as household waste. Instead it should be handed over to the applicable collection point for recycling of electrical and electronic equipment. Disposal must be carried out in accordance with local environmental regulations for waste disposal. For more detailed information please contact your local council household waste site.




Index

Before Using the Extractor	04
Safety	04
General	04
Safety for Children	04
Safety When Working With Electricity	04
General Information and Operation	05
Extractor Layout	05
Control Panel Layout	05
Care and Maintenance	06
General Cleaning	06
Grease Filters	06
Carbon Filters	07
Replacing the Lamps	07
Installation	08
Methods of Extraction	08
Extraction Via Ducting	08
Extraction Via Recirculation	08
Parts Identification	09
Hanging Your Extractor	10
Decorative Chimney Fitting	12
Electrical Connections	13
Technical Sprcification	14
Troubleshooting	14
Your Guarantee	15

Before Using the Extractor

- Make sure that you have removed all packaging, wrappings, stickers and films from the Extractor
- It is recommended that you clean the extractor's surface before using for the first time.

Safety

 This appliance is for domestic extraction purposes only. It must not be used for other purposes. Commercial use will void the guarantee.

The manufacturer shall not be liable for any damage caused by improper use, installation or handling errors

General

This product is not intended to be used by persons with physical, sensory or mental disorders or unlearned or inexperienced people (including children) unless they are supervised by a person who will be responsible for their safety or who will instruct them accordingly in the use of the product.

- Do not operate the product if the power cable is damaged. Call qualified service agent.
- Do not carry out any repairs or modifications on the product. However, you may remedy some the problems that do not require any repairs or modifications. See Troubleshooting, at the rear of this manual.
- Never wash down the product with excessive water, as there is the risk of electric shock!
- Never use the product when your judgment or coordination is impaired by the use of alcohol and/or drugs.
- Product must be disconnected from the mains during installation, maintenance, cleaning and repair procedures.
- Repair procedures must always be performed by qualified service agents. The manufacturer shall not be held responsible for damages arising from procedures carried out by unauthorised persons, which may also void the guarantee.

- Keep all ventilation slots clear of obstructions, as this may cause premature failure of the appliance
- Do not trap the mains cable and do not route it over surfaces which may become hot. The cable insulation may melt and cause a fire as a result of a short circuit.
- Make sure that the product function buttons are switched off after every use.
- Product must be installed by a qualified person in accordance with the regulations in force otherwise, the guarantee may become void.

Safety for children

Electrical products can be dangerous to children. Keep children away from the product when it is operating and do not allow them to play with or near the product.

The packaging materials will be dangerous for children. Keep the packaging materials away from children. Please dispose of all parts of the packaging according to environmental standards.

Safety When Working With Electricity

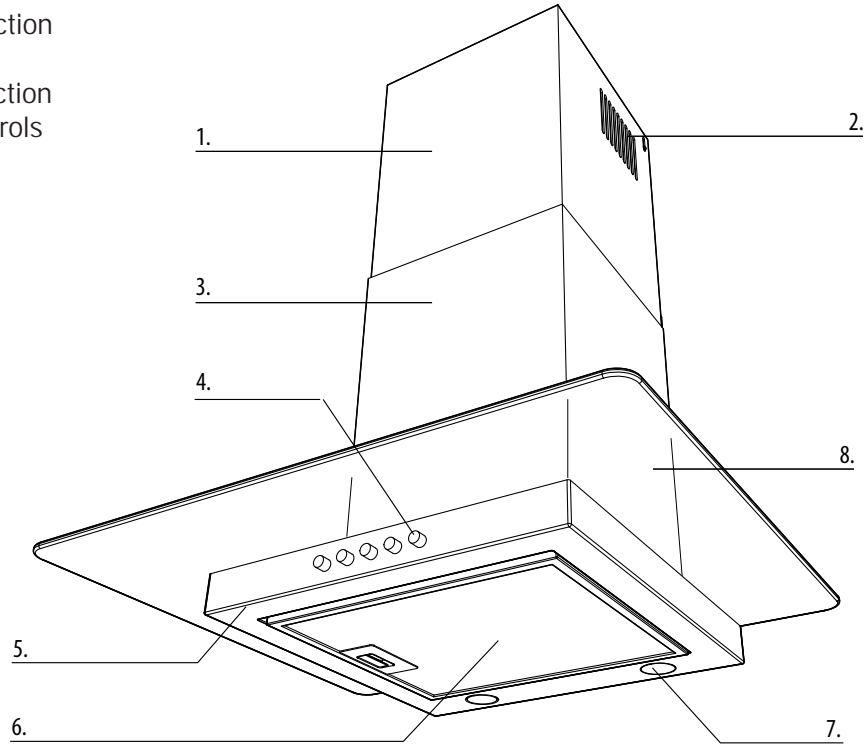
In case of any damage, switch off the product and disconnect it from the mains. To do this, turn off the fuse at the fuse box.

Make sure that fuse rating is compatible with the product.

General Information & operation

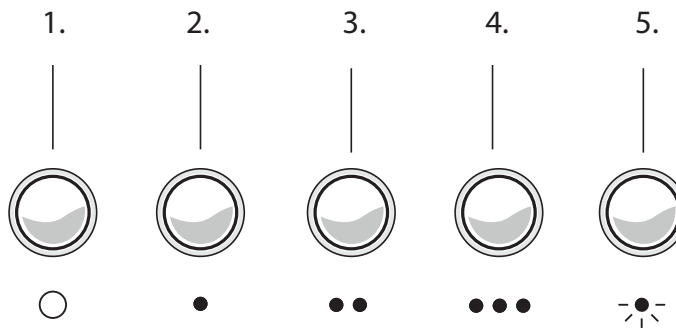
Extractor Layout

1. Upper Chimney Section
2. Recirculation Vent
3. Lower Chimney Section
4. Fan and Light Controls
5. Extractor Body
6. Grease Filters
7. Light
8. Glass Canopy



Control panel layout

1. Extractor Power off
2. Extractor Power Level 1
3. Extractor Power Level 2
4. Extractor Power Level 3
5. Extractor Light On/Off



Care and Maintenance

⚠ Before cleaning or attempting any type of maintenance, always make sure that the electricity supply is disconnected.

⚠ To avoid the possibility of fire, adhere strictly to all of the recommendations included in this booklet, paying particular attention to the grease filters to ensure grease deposits do not build up.

The manufacturer declines all liability in cases where the instructions for the appropriate installation, maintenance and use of the extractor hood are not observed.

If the power cable is cut or damaged in any way, disconnect the extractor from the electricity supply and call the service number on the rear cover of this booklet or a suitably qualified repairer.

General Cleaning

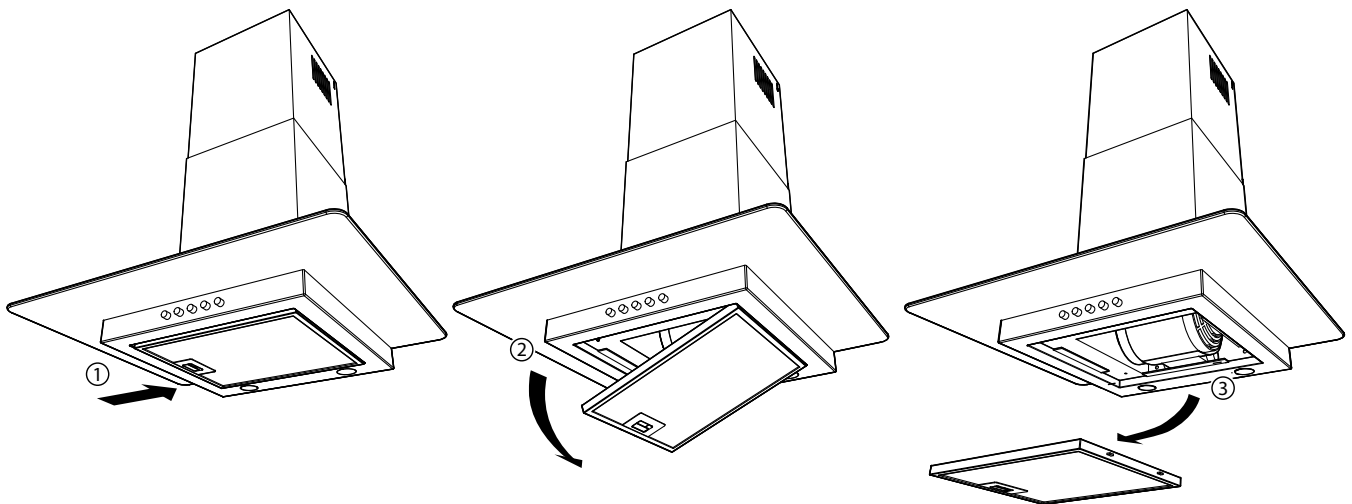
Wipe the external surfaces of the appliance regularly using warm water and a mild detergent. NEVER use abrasive cleaners.

The Grease Filters

The grease filter is of a metallic material and should be washed using a neutral detergent.

To Remove the grease filters:

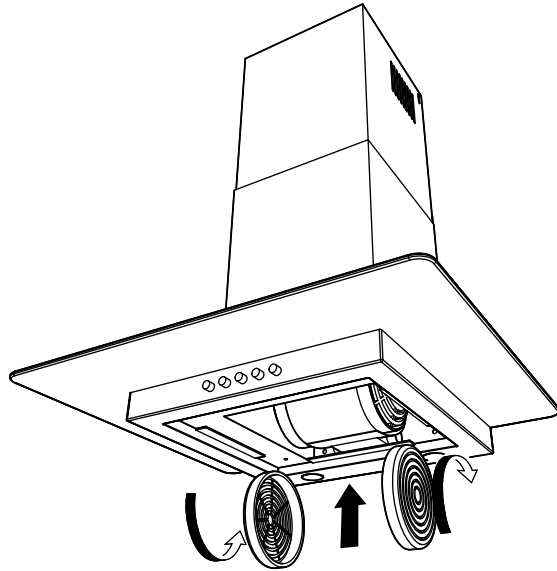
- 1 Push Latch
- 2 Lower Filter
- 3 Unhook and Remove



The Carbon Filters

Carbon filters have a limited life. We advise you to change them when there is a noticeable drop in performance. The intervals between changing the filter will depend entirely upon the amount of cooking you do, but on average they will last about 6 months. Please quote the part reference number HJA2906 (pack of 2) when re-ordering.

- To gain access to the carbon filters, first of all remove the grease filters as above.
- Remove the old filters and install new charcoal filters by turning them gently



Replacing the Lamps

The extractor hood is fitted with x2 G4 20w halogen lamps that may need to be replaced periodically.

To do this, ensure that the power is switched off and the lamps have had time to cool.

- Use a flat headed screwdriver to gently prize open to glass cover, that sits over the bulb.
- The light bulb can then be pulled away the from the light fitting and disposed of appropriately
- Replace the bulb with an appropriate (G4 20w max) bulb, and clip the class cover back into place.

⚠ Lamp replacement is not covered by your guarantee

The lamps on this appliance should only be used during operation of the cooker hood. They should not be left on permanently and used as a main lighting source. The extractor is for domestic use only.

Installation

Methods of Extraction

The very best method of clearing the kitchen of unwanted odours is by connecting the appliance to an exhaust duct and venting to the outside atmosphere via the ceiling or an exterior wall. Suitable Ducting kits part ref: APL2805/6/7 may be purchased from the depot where you bought the extractor. You do not need charcoal filters when using the external Ducting mode.

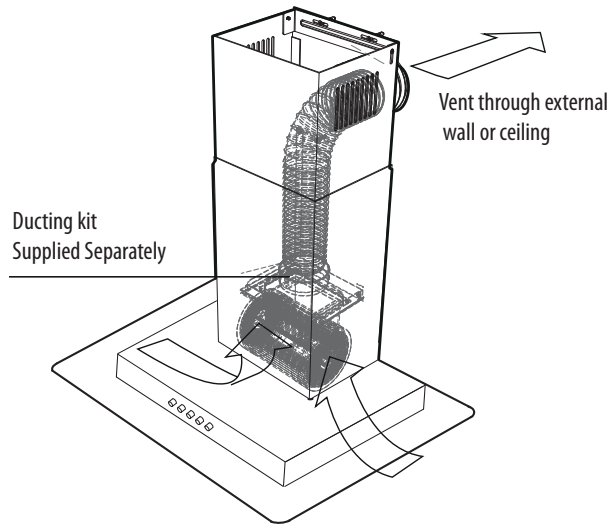


Fig 1.
Ducting mode (APL2805/6/7) ducting Kit
(Supplied Separately)

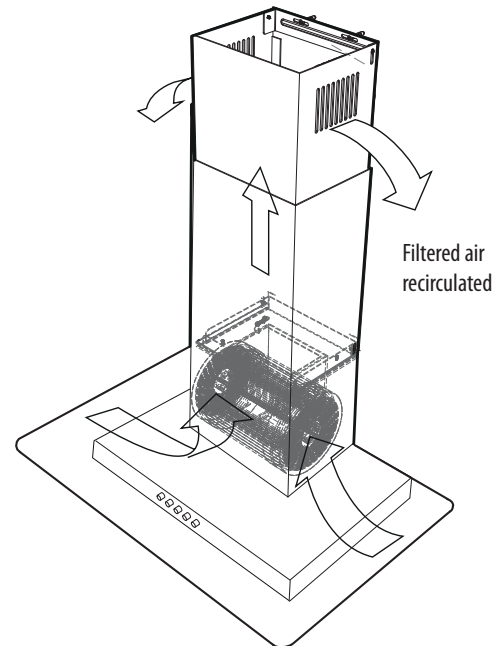


Fig 2.
Recirculation mode
(Charcoal filters required)

Extraction Via Ducting

Never use the hood in areas where devices with exhaust pipes connected to the outside are already operating unless perfect ventilation can be guaranteed.

- Connect the external ducting kit to the outlet of the extractor.

i Charcoal filters are not required if the extractor is to be ducted out.

Extraction Via Recirculation

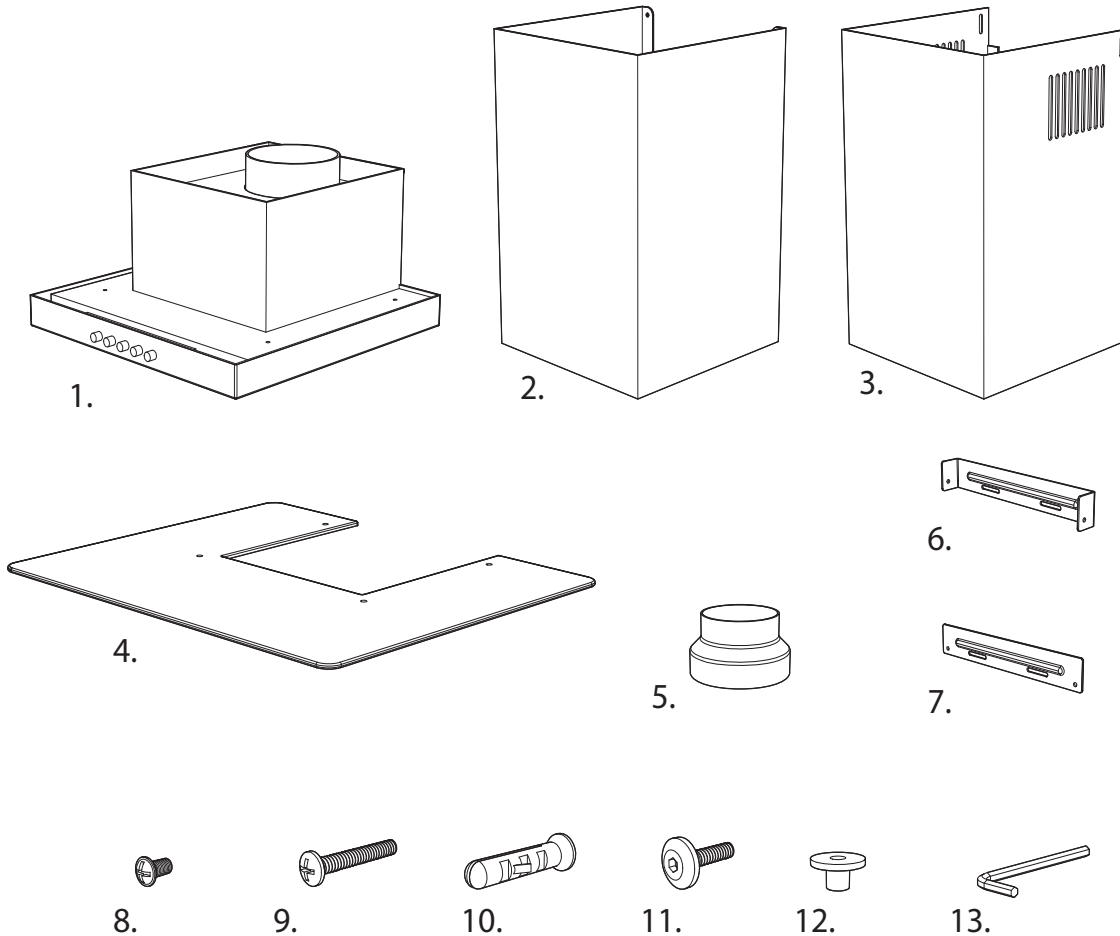
For extraction via recirculation, attach 2 charcoal filters to the sides of the motor inside the hood. (Part reference HJA2906)

⚠ Before attempting to change or fit the charcoal filters ensure power to the extractor is switched off.

- Remove the grease filters
- Align the carbon filters over the pins located on either side of the fan motor.
- Turn the carbon filters gently, until you feel them click into position.
- Replace the grease filters before the power supply is turned back on.

PARTS IDENTIFICATION


On opening your box you will find the extractor body, a two-piece telescopic decorative chimney, a bag of wall fixings and screws, two fixing brackets, a ducting connector and reducer. The glass for this extractor will be packed separately .




Parts List Key

- | | | | |
|----|------------------------|-----|---------------------------|
| 1. | Main Extractor Body | 8. | Small Chimney Screw |
| 2. | Lower Chimney | 9. | Wall Fixing Screw |
| 3. | Upper Chimney | 10. | Rawl Plug |
| 4. | Glass Canopy | 11. | Glass Canopy Fixing Screw |
| 5. | Ducting Outlet Reducer | 12. | Rubber Mounting Grommet |
| 6. | Upper Wall Bracket | 13. | Allen Key |
| 7. | Lower Wall Bracket | | |

Hanging Your Extractor

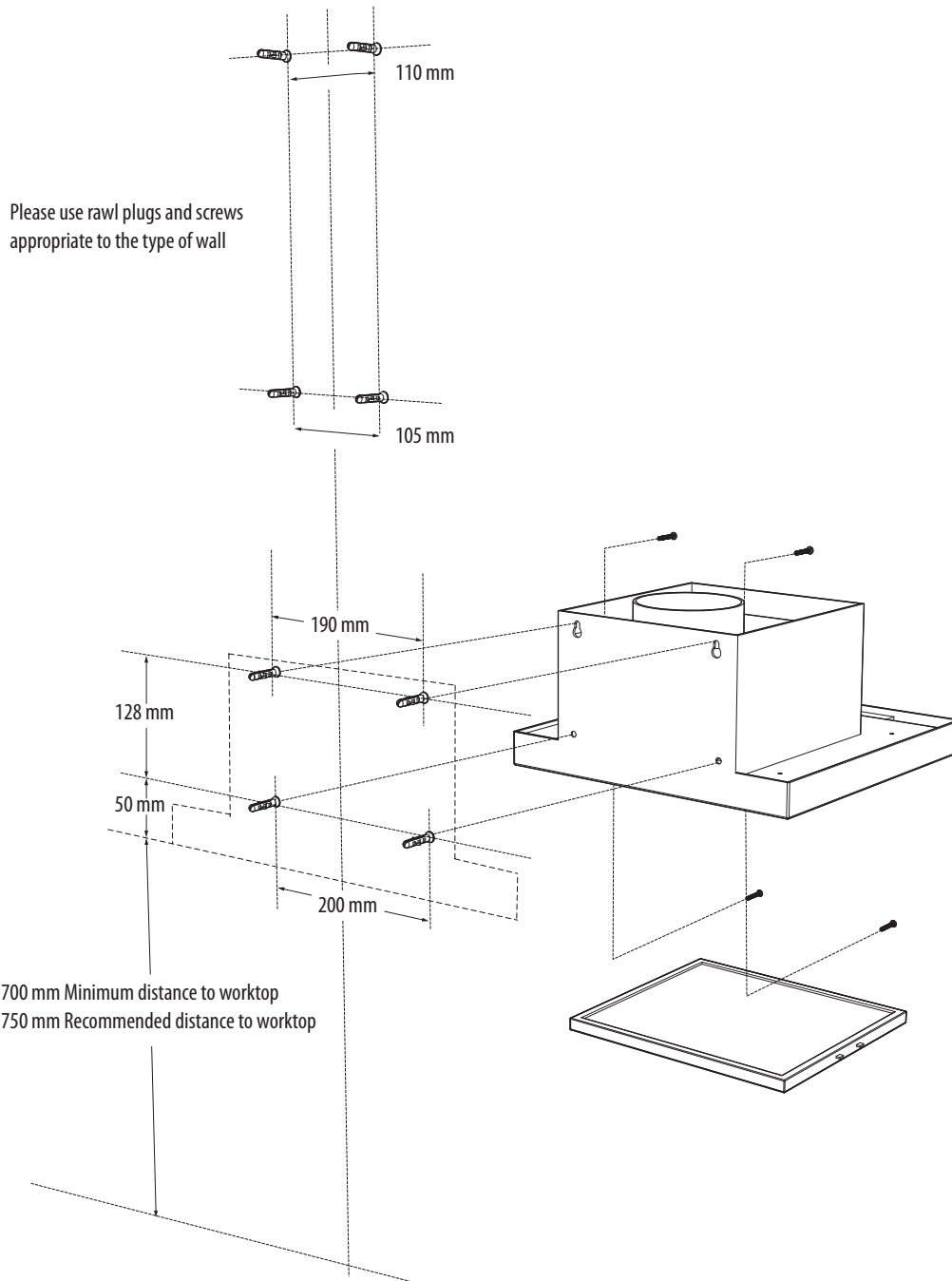
 This instruction must be strictly adhered to. Failure to comply could result in overheating and serious damage to your appliance. It is recommended that the installation is carried out by two people.

 Before drilling or chiselling the ceiling or wall, check for pipes and power cables.

- If ducting externally ensure the ducting tube is kept as short as possible and with the minimum of bends to permit the smoothest airflow. (Maximum length 3 metres.). Ducted air must not be discharged into a flue, which is used for exhausting fumes from appliances supplied with energy other than electricity. (E.g. gas boilers)
- Ensure the requirements of the local authorities are adhered to concerning the discharge of exhaust air.
- Ensure adequate room ventilation is provided when the extractor is used in the same room as appliances supplied with energy other than electricity.
- Never duct into a hot air flow such as a central heating duct

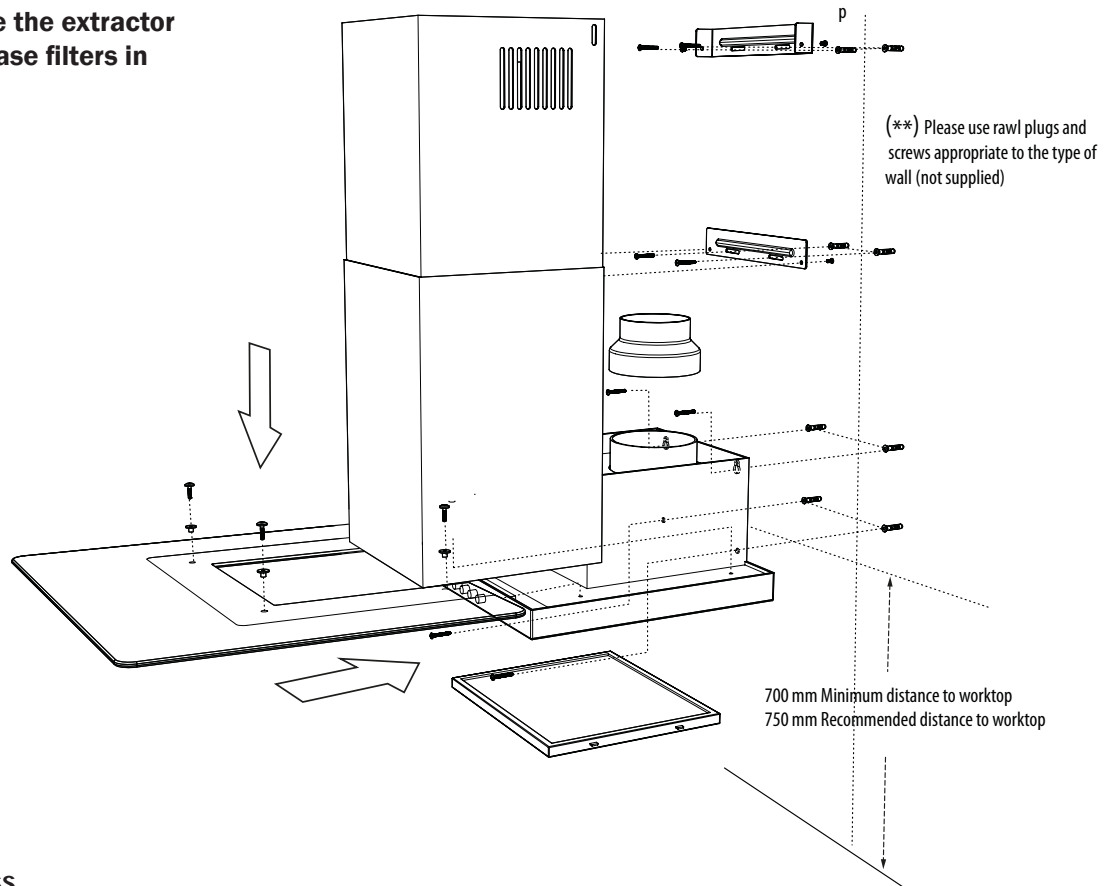
 We strongly advise that all exterior outlets be fitted with a non return flap or louvred slatting.

- Remove the grease filters before trying to install.
- The recommended fixing height for the hood is 750mm above the worktop. This can be reduced to a minimum of 700mm if required.
- Mark and drill the holes required to mount the extractor body.
- The principal securing point is the top keyhole slot; fix this screw first leaving approximately 5mm between the screw head and the wall.
- With the help of an assistant, level and secure in position through the lower two holes tightening the upper screws as necessary.



Decorative Chimney And Glass Fitting

DO NOT: Operate the extractor Without the grease filters in Position.



Fitting the Glass

- Once the extractor is firmly secured to the wall, the glass can then be slid into place.
- Using the rubber grommets '12' and the bolts '11' secure the glass to the main body ensuring you do not over tighten the bolts.
- Fit the chimney sections above the extractor glass and secure into the brackets above with the screws '8'.

Chimney Sections

- Connect the extractor to the electricity supply (see electrical connections page). We recommend an isolation switch that is accessible after installation.
- Attach the wall bracket '7' to the rear of the lower chimney section using the small screws '8' and slide both chimney sections together.
- Rest the chimney sections on the main extractor glass and mark up the lower bracket fixing point.
- Extend the upper section to the ceiling, using the extended chimney to mark-up the position of the upper fixing bracket '6'
- Remove both chimney sections, drill and secure the upper fixing bracket '7' into position with appropriate fixings.
- Fit the Appropriate ducting kit if venting externally (Outlet reducer '5' maybe required depending on your ducting kit.)
- Resit the chimney sections on to the extractor body and secure the lower wall bracket using the screws '9' provided.
- Extend the upper chimney to the ceiling and attach to the Upper bracket with the small screws '8'
- Re-fit the grease filters

Electrical Connections

⚠ IMPORTANT: Ensure that the electricity supply is switched off before connecting.

Your appliance must be connected to fixed wiring via the use of a double pole switched fused spur outlet with at least 3mm contact separation. The isolation switch must be accessible after installation. (See technical data for fuse rating).

We strongly recommend the appliance is connected by a qualified electrician

i The terminology DOUBLE POLE -/+ means that both the live and neutral supplies are switched and disconnected at the same time.
The terminations labelled SUPPLY are the connections for the internal house wiring and the terminations labelled LOAD are for connection to the appliance.


IMPORTANT: The wires in the mains lead are coloured in accordance with the following code:-

Blue.....Neutral

Brown.....Live

Green / Yellow.....Earth

As the colours of the wires in the mains lead of this appliance may not correspond with the coloured markings identifying the terminals in your spur box, proceed as follows;

The wire which is coloured blue must be connected to the terminal which is marked with the letter 'N' or coloured BLACK. The wire which is coloured brown must be connected to the terminal which is marked with the letter 'L' or coloured RED. The wire which is coloured GREEN / YELLOW must be connected to the terminal which is marked with the letter 'E' or  Symbol.

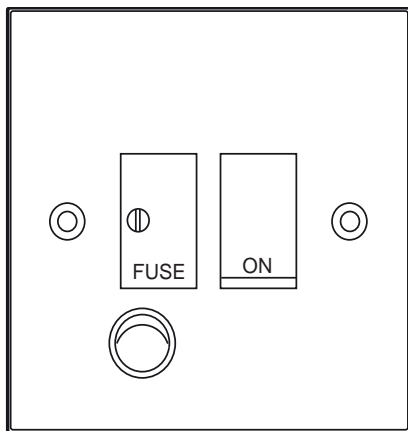


Fig 3.

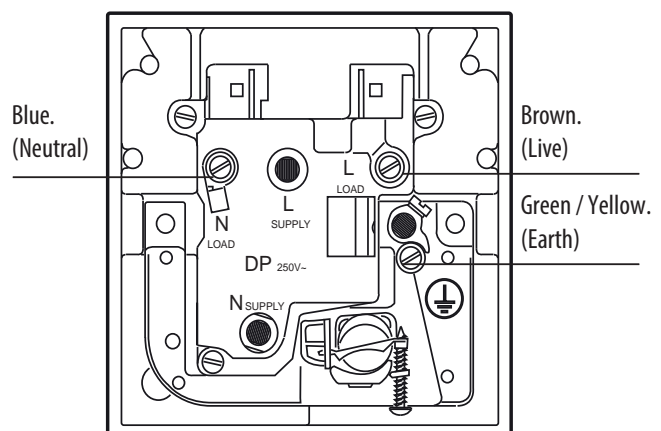


Fig 4.

Troubleshooting

TROUBLESHOOTING GUIDE

Symptoms	Possible Cause	Solutions
Lamps fail to operate?	<ul style="list-style-type: none"> A replacement lamp is probably necessary, but first check that the lamp is correctly fitted into its holder. <p>(Remember that the lamps are not covered by the guarantee.)</p>	<p>Disconnect the mains electricity supply before adjusting or replacing the lamps.</p> <p>The extractor lamps may become hot; therefore ensure the bulb has cooled sufficiently before replacing.</p>
	<ul style="list-style-type: none"> Power is cut. 	<p>Check if there is power. Check the fuses in the fuse box. If necessary, replace or reset the fuses.</p>
Motor is on but fan does not seem to be as efficient as usual?	<ul style="list-style-type: none"> Clogged filters can reduce the product's efficiency. Check the grease and charcoal filters (if fitted) also ensure any venting is not obstructed? 	<p>Clean the grease filters with warm water and mild detergent, and/or replace any charcoal filters</p>
The extractor works normally but smells linger?	<ul style="list-style-type: none"> Clogged filters can reduce the product's efficiency and may cause unwanted smells. 	<p>Clean the grease filters with warm water and mild detergent, and/or replace any charcoal filters.</p>
Product does not operate?	<ul style="list-style-type: none"> The mains fuse maybe defective or has tripped 	<p>Check fuses in the fuse box. If necessary, replace or reset them.</p>
	<ul style="list-style-type: none"> Product is not connected properly. 	<p>Check all power connections.</p>



If you cannot eliminate the problem after following the instructions in this section, consult your depot or the Authorized Service Agent. Never try to repair a nonfunctional product yourself.

Technical specification

TECHNICAL INFORMATION

General

Total power consumption	145W
Fuse	3 A
Voltage /Frequency	220-240 V – 50 Hz
Cable type / section	0.75mm ² , 2 core or equivalent
Cable length	max. 1.3m
Lamps	2x GU4 20W each

Product Information

Commission Regulation (EU) No 66/2014

LAMONA

Model	LAM2501
AEC	86 kWh/a
f	1.45
FDE _{hood}	8
EEl _{hood}	98.3
Q _{BEP}	340.2 m ³ /h
P _{BEP}	297 Pa
Q _{max}	601.7 m ³ /h
W _{BEP}	182.5 W
W _L	40 W
E _{middle}	412 Lux
P _s	-
P _o	0
L _{WA}	60 dB

Your guarantee

Product Guarantee Details (UK only)

Your appliance has the benefit of a comprehensive manufacturer's guarantee which covers the cost of breakdown repairs. (Details of which are shown on your Proof of Purchase Document).

- Any claim during the period of the guarantee (MUST BE ACCOMPANIED BY THE PROOF OF PURCHASE)
- The product must be correctly installed and operated in accordance with the manufacturer's instructions and used for normal domestic purposes.
- This guarantee does not cover accidental damage, misuse or alternations which are likely to affect the product.
- The guarantee is invalid if the product is tampered with, or repaired by any unauthorised person.

(The guarantee in no way affects your statutory or legal rights)


What to do if you need to report a problem-

Please ensure you have ready:

- The product's model & serial numbers
- Howdens Proof of Purchase document
- Your full contact details



Call the Service Line on 0845 00 60 006

 If supplied, please stick your self adhesive product rating plate here, or make a note of the product serial number below in the box below for future reference.

Serial Number :

