
Canopy Extractor

HJA2339



User & Installation Guide

LAMONA

Exclusive to Howdens Joinery Co.

Environmental Note.	2
IMPORTANT SAFETY INFORMATION.	3 - 4
Know Your Extractor.	5 - 6
Specifications.	5
Operating your extractor.	6
Control panel.	6
Care and Cleaning.	7 - 8
General cleaning.	7
The grease filter.	7
The carbon filter.	7
Changing a light bulb.	8
Installation.	9 - 13
Before beginning installation.	9
Ducted out or recirculation?	10
Mounting the extractor.	11
Completing the installation	12
Electrical connection	13
Something Wrong with your Extractor?	14
Contact details / Guarantee	Rear cover

Environmental Note:

Before discarding an old appliance, switch off and disconnect it from the power supply. Cut off and render any plug useless. Cut the cable off directly behind the appliance to prevent misuse. This should be undertaken by a competent person.

Your safety is of the utmost importance; please make sure that you read this instruction booklet before attempting to install or use the appliance.

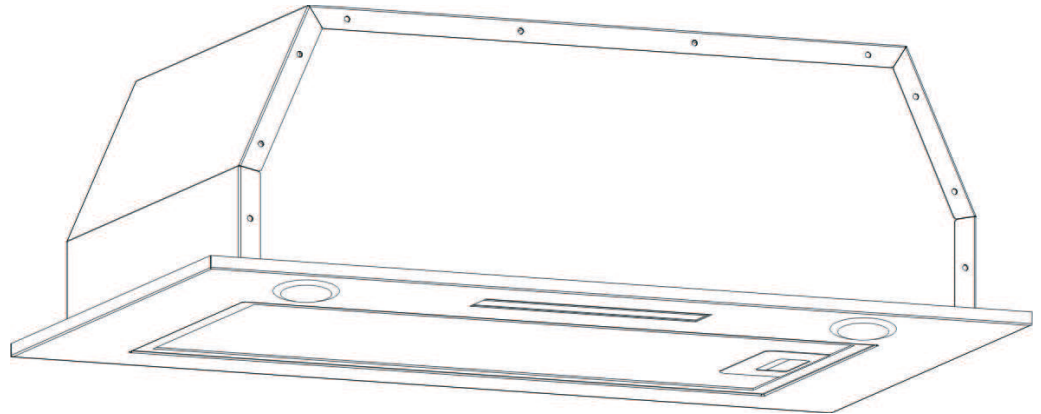
IMPORTANT: Any installation work must be carried out by a qualified electrician or competent person.

- The hood must be installed in accordance with the installation instructions contained in this booklet and all measurements followed.
- If the cooker hood is installed for use above a gas appliance then the provision for ventilation must be in accordance with the Gas Safety Codes of Practice BS.6172, BS.5440 & BS.6891 (Natural Gas) and BS.5482 (LP Gas) 1994, the Gas Safety (Installation & Use) Regulations, the Building Regulations issued by the Department of the Environment, the Building Standards (Scotland) (Consolidated) Regulations issued by the Scottish Development Department.
- It is dangerous to alter the specifications or to modify this product; do not tamper with it or attempt to modify the appliance in any way.
- When installing the hood, the following recommended minimum distances must be observed between the highest point on the hob top (including the burners) and the bottom of the cooker hood:

Electric cookers:	650 mm
Gas cookers:	650 mm

- Adjacent wall cabinets must not overhang the hob.
- The edges of the extractor may be sharp – handle your appliance with care, especially during installation and cleaning.
- If the room where the cooker hood is to be used contains a fuel burning appliance such as a central heating boiler then its flue must be of the sealed or balanced flue type.
- If other types of flue or appliances are fitted, ensure that there is an adequate supply of air in the room.
- When the hood is being used in its ducted-out mode, ensure that the ducting is fire retardant and that there are no bends sharper than 90 degrees as this will reduce the efficiency of the hood.

- The manufacturer refuses to accept any responsibility for damages arising from a failure to observe the safety advice contained in this instruction booklet.
- Keep young children from using, playing with or tampering with the extractor. Older children and infirm persons should be supervised if they are using the cooker hood.
- Your extractor is for domestic use only.
- Please dispose of the packing material carefully; children are especially vulnerable to it.
- Never leave frying pans unattended during use as overheated fats and oils might catch fire.
- The cooker hood should not be exposed to a direct heat source from the cooking device underneath it, i.e. a naked flame from a gas burner or heat from electric hotplates without a pan on them.
- Never flambé cook under this cooker hood.
- Always put lids on pots and pans when cooking.
- Remember that when installed in ducted-out mode, your cooker hood is removing air from your room; ensure that proper ventilation has been provided.
- **Warning - Always ensure that the cooker hood has been disconnected from the power supply before carrying out any work on the hood, including replacing light bulbs.**
- Do not connect the ducting system of this appliance to any existing ventilation system which is being used for any other purpose.
- Do not install above a cooker with a high level grill.
- The lights on this appliance should only be used during operation of the cooker hood. They should not be left on permanently and used as room lighting.



Dimensions:

- Extractor width: 520mm
- Extractor depth: 321mm
- Extractor height: 193mm (including vent adapter)
- Required aperture: 475mm wide X 285mm

Features:

- Slider control operation.
- 3 speed extraction.
- 2 x 40W lights.
- Ducted-out or recirculation modes.
- Metal grease filter.
- Carbon filter HJA2906 (**optional for recirculation installation only**)
- Ducting kits APL2805/2806 (**optional**)

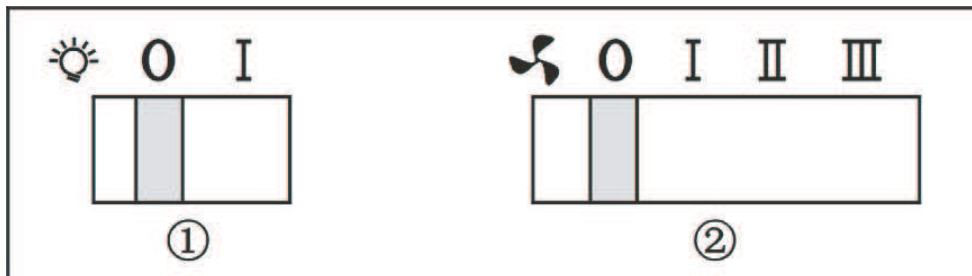
Specifications:

HJA2339

- Max. Extraction capacity: 250 m³/hr
- Electrical Supply: 220-240V, 50Hz
- Max. Appliance Input Power: 180W
- Motor Input Power: 100W
- Fuse Rating: 3A
- Lamp type: 2 X 40W GU10+C

• Operating Your Extractor

Control Panel:



Slider ① : Operates the light
0 is the off position.
1 is the on position.

Slider ② : Controls the motor speed.
0 is the off position.
1 is the lowest fan speed.
2 is the medium fan speed
3 is the highest fan speed.

IMPORTANT:

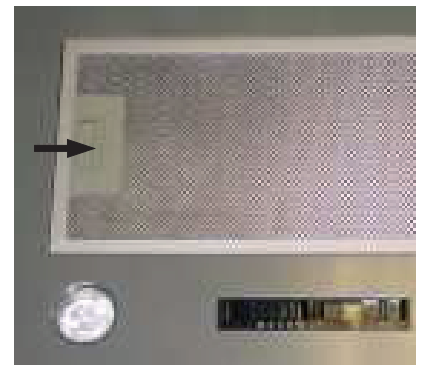
Ideally you should turn on your extractor ten minutes before you start to cook, or at the very least when you begin cooking. You should also run your hood for ten minutes after you have finished cooking.

IMPORTANT: BEFORE CLEANING, ALWAYS ENSURE THAT YOU HAVE SWITCHED YOUR EXTRACTOR OFF AT THE MAINS SWITCH AND ALLOWED TIME FOR THE LAMPS TO COOL.

- Clean the external parts of your extractor with mild liquid detergent and a damp cloth.
- Never use abrasive powder, corrosive solvents or brushes.
- Never insert pointed objects into the motor's protective grid.
- If you are using the appliance in recirculation mode, then be sure to replace the carbon filter at the recommended interval (see '**The Carbon Filter**' below).

The Grease Filter

- Your extractor includes a grease filter which helps to protect your kitchen & furniture from greasy residues by filtering out grease particles.
- Over time, the grease filter may become a fire risk if the greasy residue is allowed to build up.
- To prevent a fire hazard, the grease filter should be cleaned regularly. Depending on use, this should be done every 10-15 days or for light usage once a month.
- To remove, support the grease filter while sliding the filter catch inwards, then lower the grease filtered to release from the extractor.
- ***DO NOT WASH THE GREASE FILTER IN A DISHWASHER.***
- Clean the grease filter using hot water and normal washing-up detergent
- Allow the grease filter to dry completely before refitting.
- The extractor must never be operated without the grease filter in position.



The Carbon Filter

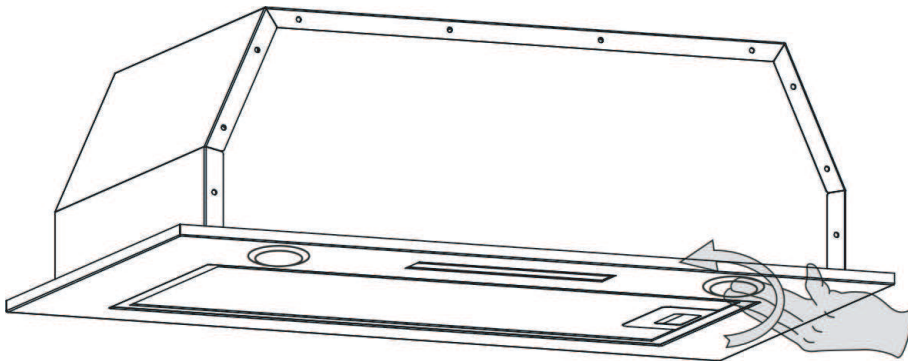
- Carbon filters have a limited life and should be replaced approximately every 6 months depending on use.
- A build up of grease on the charcoal filter would also constitute a fire hazard.
- To replace, remove the grease filter as described above.
- Twist the carbon filter to remove from the motor housing and replace the filter with a new one (part no. HJA2906)
- Remember to refit the grease filter.

Changing light bulb

IMPORTANT: Before attempting to change a light bulb, you must ensure that you have disconnected the extractor from your mains supply.

The lamps can become very hot during use, therefore you must take care and give the lamp sufficient time to cool down

- The lamps are bayonet fitting 40W type GU10+C.



- Apply finger pressure to the underside of the lamp that needs to be replaced, and twist anticlockwise (from below) to release.
- Insert the new 40W type GU10+C.lamp and twist clockwise (from below) to engage the bayonet lamp.
- If the light still does not work, make sure that the bulb is correctly fitted into the housing before you call for technical assistance.

We recommend that at least two people install this extractor.

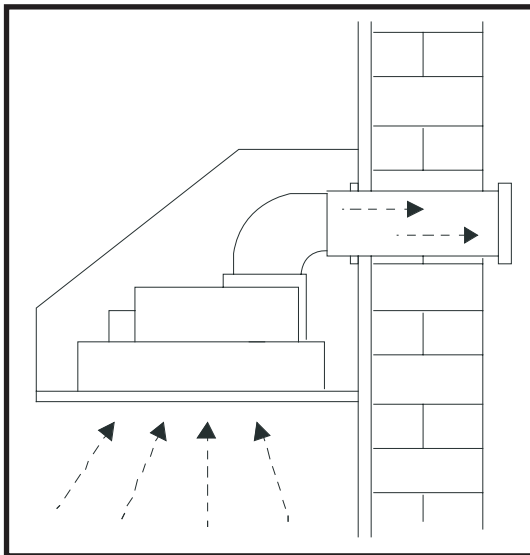
YOUR EXTRACTOR SHOULD ONLY BE CONNECTED TO YOUR MAINS SUPPLY AFTER COMPLETION OF THE INSTALLATION PROCESS

Before beginning the installation

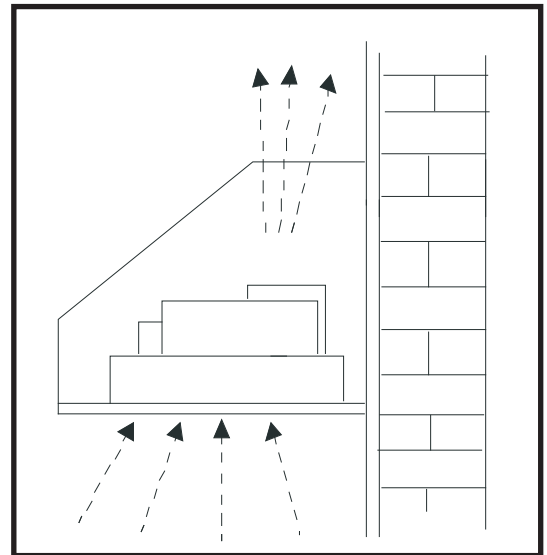
- Check that there is a double pole switched fused spur outlet available for the extractor that will be accessible once the extractor is installed. If the product is to be used in ducted-out mode, there should also be space to connect the ducting hose to the outside.
- If possible, disconnect and move freestanding or slot-in cookers from their position, to provide easier access to the rear wall and ceiling. If this is not possible, then a thick, protective covering should be placed over the worktop, hob top or cooker; this will help to prevent damage to these surfaces.
- Select a flat surface for removal of extractor bottom frame and cover the surface with a protective covering.
- ***IMPORTANT: Please refer to the information on page 3 regarding the minimum height required between the hob top and the underneath of the extractor.***
- The extractor is designed to be installed into a canopy housing at a minimum height of 650mm above the hob unit.

Ducted out or Recirculating ?

In ducted-out mode, the stale air will be taken out of the room via external ducting. In recirculation mode, stale air is taken via the grease filter, and passed through a charcoal filter to remove odours.



Ducted-out
(no charcoal filter required)



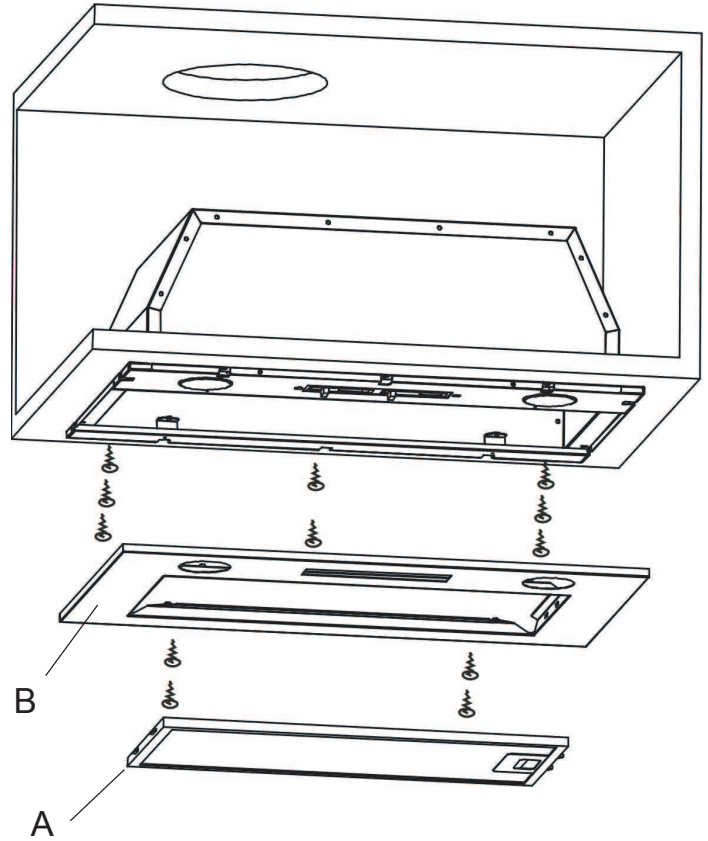
Recirculating
(charcoal filter required)

For optimum performance, we recommend that the extractor is connected to external ducting. If the appliance is to be ducted out:

- In a suitable position, mark and cut out a circle measuring 130 mm in diameter. This discharge outlet should be suitable for cooking vapours.
- Fit a suitable ducting terminal (not supplied) to the wall and connect the ducting hose (APL2805/2806 - optional extra) to the terminal.
- The maximum distance between the extractor and your discharge outlet should be 3 metres, with one 90 degree bend. For each additional 90 degree bend, the maximum distance is reduced by a metre.

Mounting the Extractor

- Cut a rectangular aperture in the canopy unit 475mm wide X 285mm a minimum of 50mm from the rear wall and from the front of the canopy.
- If the extractor is to be ducted out, ensure that it is possible to connect the ducting hose.
- If the extractor is to be used in recirculation mode, ensure that the canopy allows the recirculating air to be circulated from the top of the extractor and canopy.
- Remove the grease filter 'A' as described on page 7.
- Remove the four screws securing the extractor frame 'B' to the extractor body.
- If the extractor is to be ducted out, connect the extractor to the vent hose.
- With the help of an assistant introduce the extractor into the opening cut into the canopy housing, taking care not to trap the ducting hose or the mains cable, and secure with the wood screws provided.
- Replace the extractor frame and the four screws removed earlier from the extractor.



Completing the installation

Do I need a charcoal filter?

All cooker hoods have a grease filter but if you are using your cooker hood in recirculation mode, then a charcoal filter must be fitted in addition to the grease filter.

- If the extractor is to be in recirculation mode the charcoal filter (HJA2906) should be attached to the motor housing.
- The appliance should now be connected to the electrical supply. (See page 13)
- Fit the metallic grease filter and then switch on the mains supply to the appliance.
- Check that the appliance is operating correctly by selecting each speed and switching the lights on and off.

• *Electrical Connections*

IMPORTANT: ENSURE THAT THE ELECTRICITY SUPPLY IS SWITCHED OFF BEFORE CONNECTING.

This appliance must be connected by a competent person, using fixed wiring via a double pole switched fused spur outlet, with a contact separation of 3mm at all poles.

Use a 3 amp fuse.

We recommend that the appliance is connected by a qualified electrician, who is a member of the N.I.C.E.I.C. and who will comply with the I.E.E. and local regulations.

Warning: This appliance must be earthed.


The wires in the mains lead are coloured in accordance with the following code:

Green & Yellow = earth,

Blue = neutral,

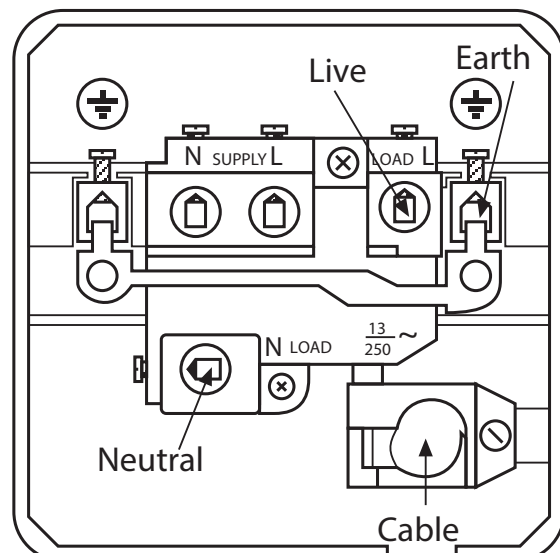
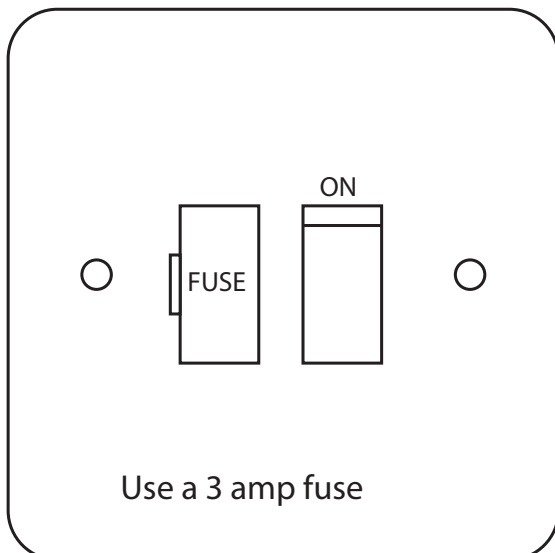
Brown = live.

As the colours of the wires in the mains lead for the appliance may not correspond with the coloured markings identifying the terminals in your spur box, proceed as follows:

1. The wire which is coloured green and yellow must be connected to the terminal marked **E** (Earth)  or coloured green.
2. The wire which is coloured blue must be connected to the terminal marked **N** (Neutral) **LOAD** or coloured Black.
3. The wire which is coloured brown must be connected to the terminal marked **L** (Live) **LOAD** or coloured Red.

If the supply cord is damaged, obtain a special cord from the Customer Support Helpline, which must be fitted by a qualified person.

Typical example of a double pole fused spur outlet



IMPORTANT: If your cooker hood appears not to be operating correctly, please refer to the checklist below before contacting the Customer Service number.

My extractor will not start.

- Check that the extractor hood is connected to the electricity supply
- Check that the fan speed control is set correctly.

My extractor is not working effectively.

- The fan speed is not set high enough
- The grease filter may be dirty and require cleaning.
- The kitchen does not have adequate ventilation.
- If the extractor is installed in recirculation mode, check that the carbon filter does not need replacing.
- If the extractor is installed in ducted-out mode, check that the ducting hose and discharge outlet are not blocked.

My extractor has switched off during operation.

- The safety cut-out device has been tripped.
- Turn off the hob and then wait for the safety cut-out device to reset.
- **IMPORTANT:** If you have installed your extractor too low, the safety cut-out device will frequently trip. Your extractor may become damaged if the safety cut-out device is tripped frequently.

IMPORTANT: If your appliance appears not to be operating correctly, then you should disconnect it from your mains supply and contact the Customer Care number on the rear page of this booklet

DO NOT ATTEMPT TO REPAIR THE APPLIANCE YOURSELF.

Please note that if an engineer is asked to attend whilst the product is under guarantee and finds that the problem is not the result of an appliance fault, then you may be liable for the cost of the call out charge.

Product Information

Commission Regulation (EU) No 66/2014

LAMONA

Model	HJA2339 kWh/a
AEC	136.8 kWh/a
f	1.83
FDE _{hood}	4.7
EEl _{hood}	110.4
Q _{BEP}	193.2 m ³ /h
P _{BEP}	104 Pa
Q _{max}	365.7 m ³ /h
W _{BEP}	117.4 W
W _L	80 W
E _{middle}	945 Lux
P _s	-
P _o	0
L _{WA}	67 dB

YOUR GUARANTEE

Product Guarantee Details (UK only)

Your appliance has the benefit of a comprehensive manufacturer's guarantee which covers the cost of breakdown repairs. (Details of which are shown on your Proof of Purchase Document).

- Any claim during the period of the guarantee (MUST BE ACCOMPANIED BY THE PROOF OF PURCHASE)
- The product must be correctly installed and operated in accordance with the manufacturer's instructions and used for normal domestic purposes.
- This guarantee does not cover accidental damage, misuse or alterations which are likely to affect the product.
- The guarantee is invalid if the product is tampered with, or repaired by any unauthorised person.

(The guarantee in no way affects your statutory or legal rights)

What to do if you need to report a problem-

Please ensure you have ready:

- The product's model & serial numbers
- Howdens Proof of Purchase document
- Your full contact details.

Call the Lamona Service Line on 0845 00 60 006

This appliance is marked according to the European Directive 2002/96/EC on Waste Electrical and Electronic Equipment (WEEE). By ensuring this product is disposed of correctly you will help prevent potential negative consequences for the environment and human health. The symbol on this product indicates that this product may not be treated as household waste. Instead it should be handed over to the applicable collection point for recycling of electrical and electronic equipment. Disposal must be carried out in accordance with local environmental regulations for waste disposal. For more detailed information please contact your local council household waste site.

