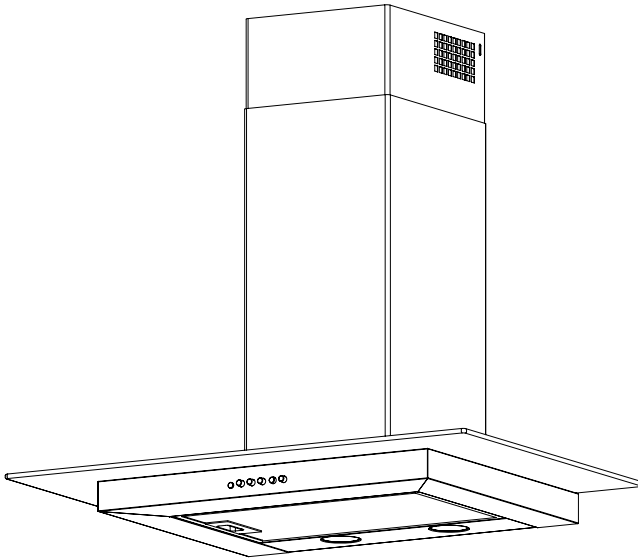


# Stainless Steel Flat Glass Extractor

**LAM2500 + ACS2560 (60cm)**  
**+ ACS2570 (70cm)**  
**+ ACS2590 (90cm)**



**User Instructions**

# LAMONA

Exclusive to Howdens Joinery Co.

# CONTENTS

|                                 |           |
|---------------------------------|-----------|
| <b>Environmental Note</b>       | <b>3</b>  |
| <b>Product information</b>      | <b>4</b>  |
| Parts Identification            | 4         |
| Parts List                      | 4         |
| Methods of Extraction           | 5         |
| <b>Installation</b>             | <b>6</b>  |
| Hanging Your Extractor          | 6         |
| Extraction Via Ducting          | 7         |
| Extraction Via Recirculation    | 7         |
| Decorative Chimney Fitting      | 8         |
| <b>Electrical Connections</b>   | <b>9</b>  |
| <b>Operating Your Extractor</b> | <b>10</b> |
| Extractor Controls              | 10        |
| <b>Maintenance</b>              | <b>11</b> |
| General Cleaning                | 11        |
| The Grease Filter               | 11        |
| The Carbon Filters              | 11        |
| Replacing The Light Bulbs       | 11        |
| <b>Troubleshooting</b>          | <b>12</b> |
| <b>Your Guarantee</b>           | <b>13</b> |
| Product Guarantee Details       | 13        |
| Reporting a Problem             | 13        |
| <b>Contact details</b>          | <b>14</b> |

# ENVIRONMENTAL NOTE

This appliance is marked according to the European directive 2002/96/EC on Waste Electrical and Electronic Equipment (WEEE). By ensuring this product is disposed of correctly, you will help prevent potential negative consequences for the environment and human health, which could otherwise be caused by inappropriate waste handling of this product.

The symbol on the product, or on the documents accompanying the product, indicates that this appliance may not be treated as household waste. Instead it must be handed over to the applicable collection point for the recycling of electrical and electronic equipment.

Disposal must be carried out in accordance with local environmental regulations for waste disposal.

For more detailed information about treatment, recovery and recycling of this product, please contact your local household waste disposal service.



- The packaging materials that Lamona uses are environmentally friendly and can be recycled
- Please discard all packaging material with due regard for the environment.

This appliance conforms to the following EEC Directive:

This appliance meets the provisions of the following directives: 89/336/EEC (electromagnetic compatibility), 73/23/EEC (electrical equipment designed for use within certain voltage limits) as amended.



# PRODUCT INFORMATION

Keep this book in a handy place for reference as it contains important details on the safe and proper use of your appliance. Should you sell the extractor please remember to pass the instruction book on to the new owner.

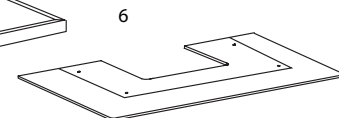
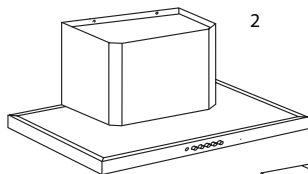
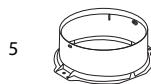
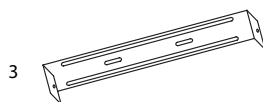
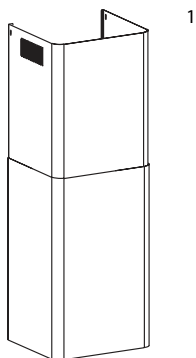
The extractor is designed to give you the option to extract air by ducting to the outside and away (via an exterior wall), or to re-circulate through charcoal filters to minimise odours, steam and condensation. The choice is yours to decide at installation, and both systems are explained in the booklet. We recommend that you read this booklet thoroughly before attempting to install or operate the extractor.

## PARTS IDENTIFICATION

On opening your box you will find the extractor hood, a two-piece telescopic decorative chimney, wall fixing bracket, a ducting connector and adaptor, and a bag of fittings. The canopy glass is supplied separately.

## PARTS LIST

- 1) Telescopic Chimney
- 2) Extractor Hood
- 3) Upper Chimney Bracket
- 4) Ducting Adaptor
- 5) Ducting Connector
- 6) Canopy Glass  
(supplied separately)



## DATA

**Power Supply:**  
230/240v ~ 50Hz

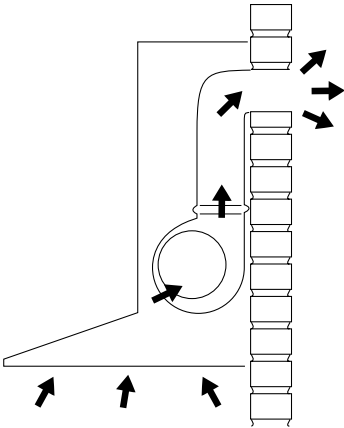
**Rating:**  
195 W

**Fuse Rating:**  
3 A

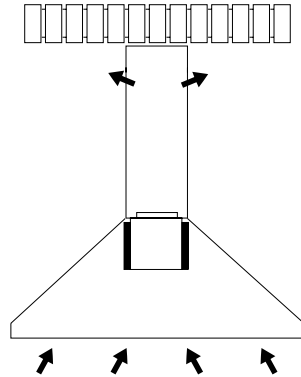
**2 bulbs**  
GU10 halogen max 50W

## METHODS OF EXTRACTION

The best method of cleaning the kitchen of unwanted odours is by connecting the appliance to an exhaust duct and venting to the outside atmosphere. Suitable ducting kits may be purchased from the depot where you bought your extractor. You do not need a charcoal filter when using the ducting mode.



**Ducting mode**  
(No charcoal filter required)



**Recirculating mode**  
(Charcoal filters required)

**REMEMBER: Before drilling or chiselling the ceiling or wall, check for pipes and power cables.**

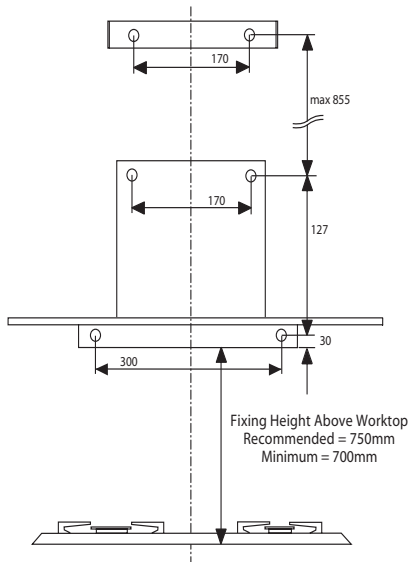
- Ensure the ducting tube is kept as short as possible and with the minimum of bends to permit the smoothest airflow (maximum length 3 metres).
- Ducted air must not be discharged into a flue, which is used for exhausting fumes from appliances supplied with energy other than electricity.
- Ensure the requirements of the local authorities are adhered to concerning the discharge of exhaust air.
- Ensure adequate room ventilation is provided when the extractor is used in the same room as appliances supplied with energy other than electricity.
- Never duct into a hot air flow such as a central heating duct.

**We strongly advise that all exterior outlets be fitted with a non return valve or louvered slatting.**

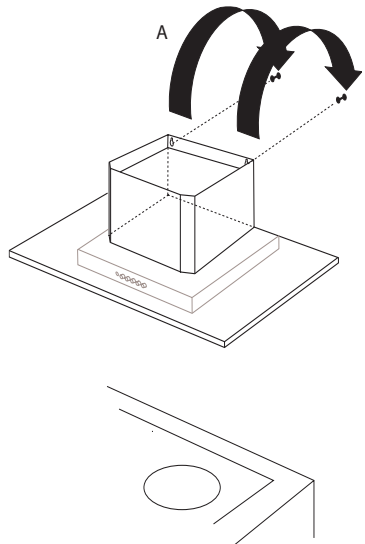
# INSTALLATION

## HANGING YOUR EXTRACTOR

**IMPORTANT: This instruction must be strictly adhered to. Failure to comply could result in overheating and serious damage to your appliance.**



**Fig 1.**



**Fig 2.**

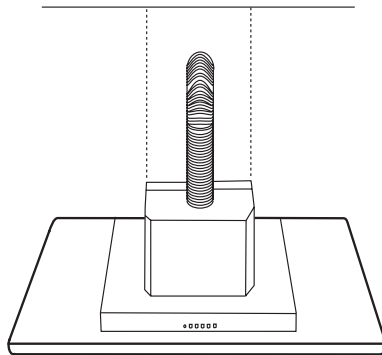
**Note: It is recommended that the installation is carried out by two people.**

- Remove the grease filters before proceeding with the assembly. This will give access to the lower hood fixing holes and make the appliance easier to handle.
- The recommended fixing height for the hood is 750mm above the worktop. This can be reduced to a minimum of 700mm if required.
- With reference to fig 1: mark, and drill the six holes required to mount the extractor and lower chimney bracket to the wall. Use plugs and screws suitable for the wall construction (not supplied).
- With reference to fig 2: the top two hood securing positions are keyholeslots. Screw these screws A in first leaving approximately 2mm between the screw head and the wall.
- With the help of an assistant locate the hood on these two screws, tightening if necessary.

- From inside the hood, fit the two remaining securing screws into the holes previously drilled.
- Using the screws and washers provided, carefully attach the glass canopy to the extractor body.
- Connect the ducting connector to the top of the hood using the screws supplied.

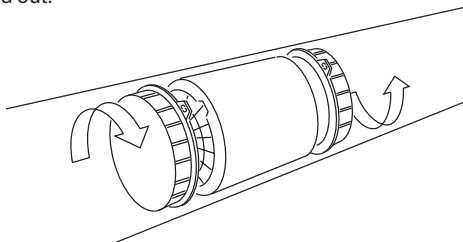
## EXTRACTION VIA DUCTING

Never use the hood in areas where devices with exhaust pipes connected to the outside are already operating unless perfect ventilation can be guaranteed. Connect the external ducting kit to the outlet of the extractor.



## EXTRACTION VIA RECIRCULATION

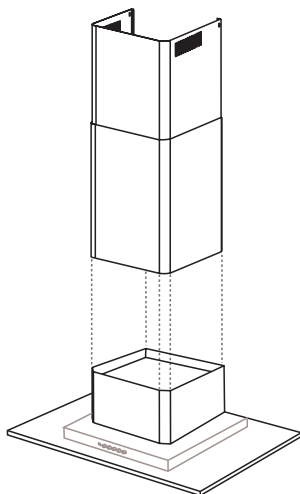
Attach 2 charcoal filters to the sides of the motor inside the hood. Note: these are not required if the extractor is to be ducted out.



## DECORATIVE CHIMNEY FITTING

- Connect the extractor to the electricity supply (see electrical connections page).
- Slide the upper chimney section inside the lower chimney section and fit into recess on the top of the hood.
- Secure the upper chimney bracket to the wall, against the ceiling.
- Extend the upper chimney section to the ceiling and secure to the upper chimney bracket with the screws provided.
- Fit the grease filter to the hood.

**DO NOT: attempt to operate the extractor without the grease filter in position.**



# ELECTRICAL CONNECTIONS

**IMPORTANT:** Ensure that the electricity supply is switched off before connecting.

Your appliance must be connected to fixed wiring via the use of a double pole switched fused spur outlet with at least 3mm contact separation, The isolation switch must be accessible after installation. (See technical data for fuse rating).

We strongly recommend the appliance is connected by a qualified electrician who will comply with all local regulations.

**NOTE:** The terminology **DOUBLE POLE** -/+ means that both the live and neutral supplies are switched and disconnected at the same time.

The terminations labelled **SUPPLY** are for the connection for the internal house wiring and the terminations labelled **LOAD** are for the connection for the appliance.

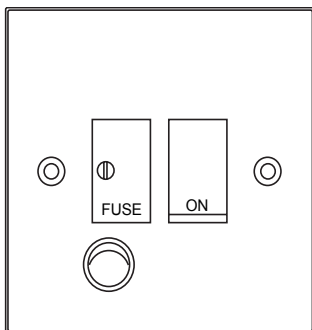
**IMPORTANT:** The wires in the mains lead are coloured in accordance with the following code:-

**Blue.....Neutral**

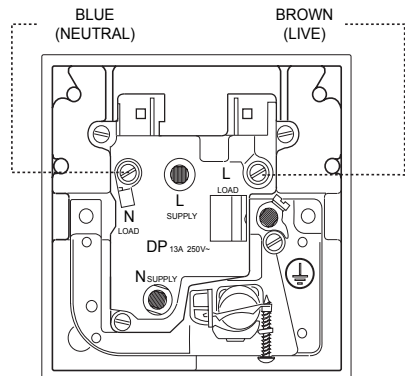
**Brown.....Live**

As the colours of the wires in the mains lead of this appliance may not correspond with the coloured markings identifying the terminals in your spur box, proceed as follows:

The wire which is coloured blue must be connected to the terminal which is marked with the letter 'N' or coloured **BLACK**. The wire which is coloured brown must be connected to the terminal which is marked with the letter 'L' or coloured **RED**.



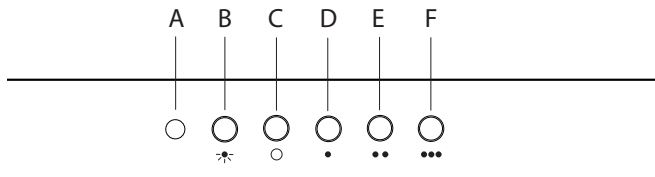
**Fused Switch**



**Wiring Example**

# OPERATING YOUR EXTRACTOR

## EXTRACTOR CONTROLS



- |    |                        |    |                        |
|----|------------------------|----|------------------------|
| A) | Motor on lamp.         | B) | Light switch.          |
| C) | Motor Off switch.      | D) | Selects motor speed 1. |
| E) | Selects motor speed 2. | F) | Selects motor speed 3. |

# MAINTENANCE

**IMPORTANT: Before cleaning or attempting any type of maintenance, always make sure that the electric supply is disconnected.**

To avoid the possibility of fire, adhere strictly to all of the recommendations included in this booklet, paying particular attention to the grease filters to ensure grease deposits do not build up.

**NOTE: The manufacturer declines all liability in cases where the instructions for the appropriate installation, maintenance and use of the extractor hood are not observed.**

If the power supply is cut or damaged in any way, disconnect the extractor from the electricity supply and call the service number on the rear cover of this booklet.

## GENERAL CLEANING

Wipe the external surfaces of the appliance regularly using warm water and a mild detergent. NEVER use abrasive cleaners.

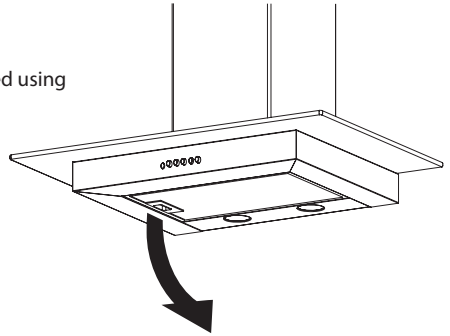
**WARNING: Never have a naked flame in direct contact with the grease filters or within the extractor hood.**

## THE GREASE FILTERS

The grease filter is of a metallic material and should be washed using a neutral detergent or in a dishwasher.

### Removal of grease filter:

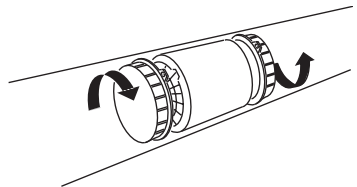
1. Press latch
2. Lower filter to remove



## THE CARBON FILTERS

Carbon filters have a limited life. We advise you to change them when there is a noticeable drop in performance. The intervals between changing the filters will depend entirely upon the amount of cooking you do, but on average they will last about 6 months.

To gain access to the carbon filters first of all, remove the grease filters as above. Remove the old filters and reposition new (LAM2900 - pack of 2).



## REPLACING THE LIGHT BULBS

- Ensure that the power is switched off and the bulb is cold.
- Remove the grease filters to gain access to the bulbs.
- Unscrew to remove the lamp and replace it with a new lamp of the same type and wattage. Remove grease filters to make it easier.

**IMPORTANT WARNING: The replacement lamps must have aluminium reflector, never use dichroic lamps, to avoid unnecessary overheating on the lamp holders.**

**NOTE: LAMP REPLACEMENT IS NOT COVERED BY YOUR GUARANTEE**

# TROUBLE SHOOTING

**Before you assume the worst, check this simple fault-finding guide to get to the root of the problem:**

## **Lamps fail to operate?**

- A replacement is probably necessary, but first check that the lamp is correctly fitted into its holder. Remember that the light bulbs are not covered by our guarantee. Remember to disconnect the mains electricity supply before replacing the lamps. Do not touch the lamps with fingers - use a suitable cloth.

## **Motor is on but fan does not seem to be as efficient as usual?**

- Check the grease filter. If it has not been cleaned recently, it might be clogged with grease. If this filter is relatively clean, check carbon filters (if fitted). If they have not been replaced for more than six months, remove and insert new ones. As time goes by, accumulated grease tends to stifle the carbon filters in just the same way as the grease filter, thereby reducing the efficiency of both the fan and the filter itself.

## **Works normally but cooking smells linger?**

- If you're using the unit in recirculating mode, change the charcoal filter. It may require replacement.

## **Appliance does not work at all?**

- Check your extractor is switched on at the mains. Next, check there is power to your home by switching on adjacent lights etc.

## **Still not working? Call the Service Line**

- If, having consulted the above diagnostics and you are still unable to remedy the situation, please call the service number on the rear cover of this manual.

# Your Guarantee

## Product Guarantee Details (UK only)

YOUR APPLIANCE HAS THE BENEFIT OF A COMPREHENSIVE MANUFACTURER'S GUARANTEE WHICH COVERS THE COST OF BREAKDOWN REPAIRS. (DETAILS OF WHICH ARE SHOWN ON YOUR PROOF OF PURCHASE DOCUMENT).

- Any claim during the period of the guarantee (MUST BE ACCOMPANIED BY THE PROOF OF PURCHASE)
- The product must be correctly installed and operated in accordance with the manufacturer's instructions and used for normal domestic purposes.
- This guarantee does not cover accidental damage, misuse or alterations which are likely to affect the product.
- The guarantee is invalid if the product is tampered with, or repaired by any unauthorised person.

(The guarantee in no way affects your statutory or legal rights)

## What to do if you need to report a problem-

Please ensure you have ready:

- The product's model & serial numbers
- Howdens Proof of Purchase document
- Your full contact details.

**Call the Lamona Service Line on 0845 00 60 006**

# CONTACT DETAILS

**Lamona Customer Care**  
**Telephone number (0845) 006 0006.**

**Lamona operates a policy of continuous improvement and reserves the right to adjust and modify its products without prior notification.**