
60cm Conventional Extractor

HJA2182



User & Installation Guide

LAMONA
Exclusive to Howdens Joinery Co.

Environmental note	2
IMPORTANT SAFETY INFORMATION	3 – 4
Know Your Extractor	5
Specifications	5
Control panel	5
Care and Cleaning	6 - 8
The grease filters	7
Changing a light bulb	7
Fitting the carbon filter	8
Installation	9 - 13
Before beginning installation	9
Extraction mode or recirculation mode?	10
Setting the cooker hood to recirculation mode	10
Connecting to external ducting (extraction mode)	11
Installing your cooker hood (wall mounted)	12
Installing your cooker hood (into a cupboard)	12
Completing the installation	12
Electrical connection	13
Something Wrong with your Extractor?	14
Contact details	Rear cover

Environmental Note:

Before discarding an old appliance, switch off and disconnect it from the power supply. Cut off and render any plug useless. Cut the cable off directly behind the appliance to prevent misuse. This should be undertaken by a competent person.

• ***Important Safety Information***

3

Your safety is of the utmost importance; please make sure that you read this instruction booklet before attempting to install or use the appliance.

IMPORTANT: Any installation work must be carried out by a qualified electrician or competent person.

- The hood must be installed in accordance with the installation instructions and all measurements followed.
- If the cooker hood is installed for use above a gas appliance then the provision for ventilation must be in accordance with the Gas Safety Codes of Practice BS.6172, BS.5440 & BS.6891 (Natural Gas) and BS.5482 (LP Gas) 1994, the Gas Safety (Installation & Use) Regulations, the Building Regulations issued by the Department of the Environment, the Building Standards (Scotland) (Consolidated) Regulations issued by the Scottish Development Department.
- It is dangerous to alter the specifications or to modify this product. Do not tamper with it or attempt to modify the appliance in any way.
- When installing the hood, the following recommended minimum distances must be observed between the highest point on the hob top (including the burners) and the bottom of the cooker hood:

Electric cookers: 650 mm

Gas cookers: 650 mm

Coal/ oil cookers: 800 mm

- When installed between adjoining wall cabinets, the cabinets must not overhang the hob.
- The edges of the cooker hood may be sharp – handle your appliance with care, especially during installation and cleaning. **DO NOT CLEAN IN BEHIND THE GREASE FILTERS!**
- If the room where the cooker hood is to be used contains a fuel burning appliance such as a central heating boiler then its flue must be of the sealed or balanced flue type.
- If other types of flue or appliances are fitted, ensure that there is an adequate supply of air in the room.
- When the hood is being used in its ducted-out mode, ensure that the ducting is fire retardant and that there are no bends sharper than 90 degrees as this will reduce the efficiency of the hood.

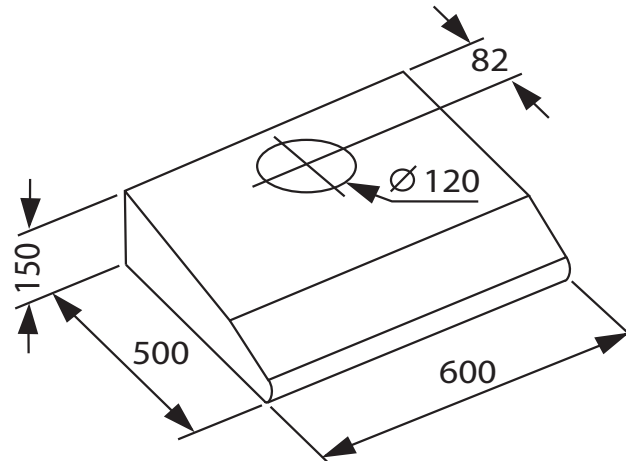
• ***Important Safety Information***

4

- Ensure the ducting for the extractor function has the same diameter as the outlet hole all the way through.
- Keep young children from using, playing with or tampering with the cooker hood. Older children and vulnerable people should be supervised if they are using the cooker hood.
- Your cooker hood is for domestic use only.
- Please dispose of the packing material carefully – children are especially vulnerable to it.
- Always put lids on pots and pans when cooking.
- The manufacturer refuses to accept any responsibility for damages arising from a failure to observe the fire safety advice contained in this instruction booklet.
- Remember that when in ducted-out mode, your cooker hood is removing air from your room. Ensure that proper ventilation measures are being observed.
- **Warning - Always ensure that the cooker hood has been disconnected from the power supply before carrying out any work on the hood, including replacing light bulbs.**
- Do not connect the ducting system of this appliance to any existing ventilation system which is being used for any other purpose.
- Do not install above a cooker with a high level grill.
- Never leave frying pans unattended during use as overheated fats and oils might catch fire.
- The lights on this appliance should only be used during operation of the cooker hood. They should not be left on permanently and used as a lighting source.
- The cooker hood should not be exposed to a direct heat source from the cooking device underneath it, i.e. a naked flame from a gas burner or heat from electric hotplates without a pan on them.
- Do not attempt to use the cooker hood if it is damaged in any way. Never attempt to use it without the grease filters fitted or if the filters are excessively greasy!
- Never flambé cook under this cooker hood.

• Know Your Extractor

Dimensions:



Features:

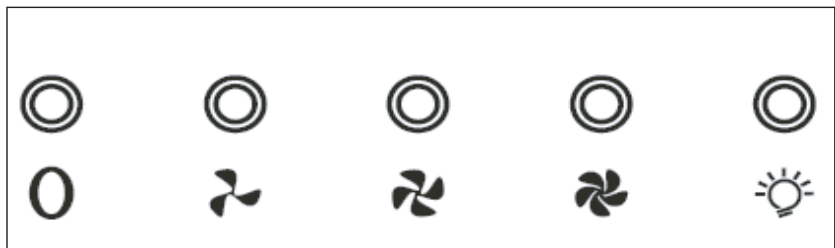
- Push button control operation
- 3 speed extraction
- 2 x 40W lights
- Visor
- Ducted-out or recirculation modes
- 2 x Metallic grease filter.
- 1 x Carbon filter HJA2906 (optional for recirculation mode only)

Specifications:

- Max. Extraction capacity: 250 m³/hr
- Electrical Supply: 220 - 240V ~ 50Hz
- Max. Appliance Input Power: 180W
- Motor Input Power: 100W
- Fuse Rating: 3A
- Lamp type: E14 40W

Control Panel:

- Extractor OFF
- ⚙ Low speed
- ⚙ Medium speed
- ⚙ High speed
- ☀ Light ON/OFF button



IMPORTANT:

Ideally you should turn on your hood ten minutes before you start to cook, or at the very least when you begin cooking. you should also run your hood for ten minutes after you have finished cooking.

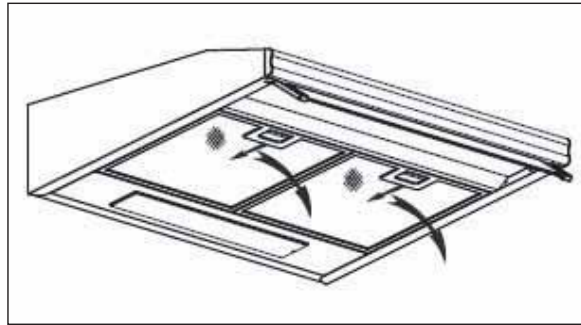
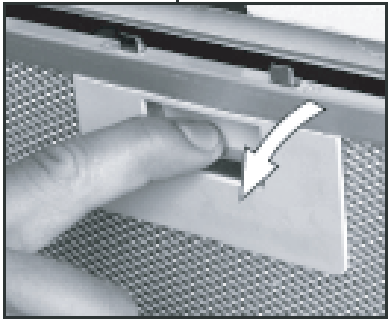
IMPORTANT: BEFORE CLEANING, ALWAYS ENSURE THAT YOU HAVE SWITCHED YOUR COOKER HOOD OFF AT THE MAINS SWITCH.

- Clean the external parts of your cooker hood with mild liquid detergent and a damp cloth.
- Never use abrasive powder, corrosive solvents or brushes.
- Never insert pointed objects into the motor's protective grid.
- If you are using the appliance in recirculation mode, then be sure to replace the carbon filter at the recommended interval (see section on "Fitting the carbon filter"). A build up of grease could cause a fire hazard.
- **IMPORTANT: You should regularly use a good quality stainless steel cleaner to maintain the shine and finish on the stainless steel areas of your cooker hood, this will help to leave a silicone water-resistant film to protect the stainless steel surfaces and keep them in good condition for the life of the product.**

The grease filters

- Your cooker hood includes grease filters which help to absorb grease particles to protect your kitchen & furniture from greasy residues.
- These metallic filters may become inflammable if they become saturated with this greasy residue.
- To prevent this fire hazard, the filters should be cleaned regularly. Depending on use, this should be done every 10-15 days or at least once a month, using hot water and normal washing-up detergent.
- ***DO NOT WASH THE GREASE FILTERS IN A DISHWASHER.***

Removing and cleaning the grease filters



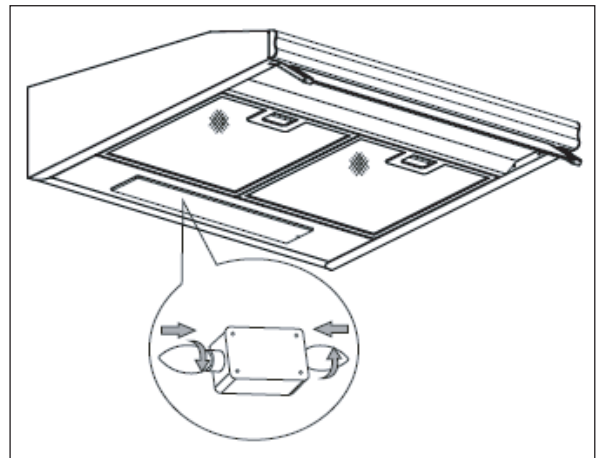
First remove the grease filters by pushing in the button on the handle and pulling the filter away from the cooker hood.

- Soak the grease filters in hot water and washing up liquid for at least 3 minutes. Then use a soft brush to loosen any grease deposits that have formed.
- Rinse the grease filters off thoroughly with hot water.
- Repeat the process if necessary.
- Refit the grease filters once they have dried.
- ***IMPORTANT: Let the grease filters dry thoroughly before refitting them in the cooker hood.***

Changing light bulbs

IMPORTANT: Before attempting to change a light bulb, you must ensure that you have disconnected the cooker hood from your mains supply.

- Use a screwdriver to remove the cover on the underneath of the cooker hood (as shown in the line drawing above).
- Prior to touching the light bulbs ensure that they have cooled down.
- Unscrew the light bulb that needs to be replaced and insert a new E14 40W (max) olive shaped bulb.
- If the lights still do not work, make sure that the bulbs are correctly fitted into their housings before you call for technical assistance.
- Re-fit the cover and secure it in place using a screwdriver.

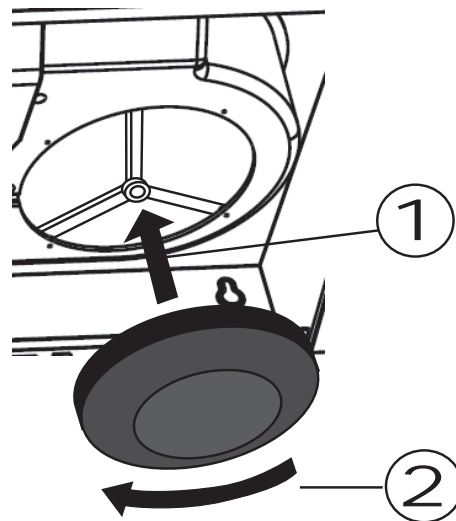


Fitting the carbon filter

If the appliance is to be used in recirculation mode then it is necessary to fit a carbon filter. This will help to absorb unpleasant odours caused by cooking.

IMPORTANT: BEFORE ATTEMPTING TO FIT OR REMOVE THE CARBON FILTER, YOU MUST ENSURE THAT YOU HAVE DISCONNECTED THE COOKER HOOD FROM YOUR MAINS SUPPLY.

- Remove the grease filters (as described previously). **IMPORTANT:** Check that the cooker hood is set to recirculation mode (see page 10 for further information).



- Press the carbon filter against one end of the motor, the fixing point is in the centre of the carbon filter.
- Turn the carbon filter clockwise, until you feel it click into place.
- Refit the grease filters.
- The carbon filter should be replaced every 3 - 6 months or if they show signs of damage.

We recommend that at least two people install this hood.

IMPORTANT: YOUR COOKER HOOD SHOULD ONLY BE CONNECTED TO YOUR MAINS SUPPLY AFTER COMPLETION OF THE INSTALLATION PROCESS

Before beginning the installation

- Check that the product purchased is of a suitable size for the chosen installation area. In addition check whether there is an electrical socket available that will be accessible once the hood is mounted. If the product is going to be used in extraction mode, then there should also be space to connect a ducting hose to the outside.
- Before commencing installation of the cooker hood the grease filter should be removed.
- Check inside the product and insure that there is no transit packaging or any other materials, such as packets of screws, guarantees etc. These should be removed and kept for future use.
- If possible, disconnect and move freestanding or slot-in cookers from their position, to provide easier access to the rear wall and ceiling. If this is not possible, then a thick, protective covering should be placed over the worktop, hob top or cooker. This will help to protect these surfaces from damage and debris.
- Select a flat surface for assembling the cooker hood and cover the surface with a protective covering.
- ***IMPORTANT: Please refer to the information on page 3 regarding the minimum height required between the hob top and the underneath of the cooker hood.***
- Rawl plugs are provided to secure the hood to most types of walls and ceilings, however a qualified technician must verify the suitability of the materials, in accordance with the type of wall and ceiling. The wall and ceiling must be strong enough to take the weight of the hood.
- Do not tile, grout or silicone this appliance to the wall. This appliance is designed to be wall mounted or fitted inside a cupboard unit only.

Ducted out or Recirculating ?

In ducted-out mode, the stale air will be taken out of the room via external ducting.

In recirculation mode stale air is taken via the grease filter(s), and passed through a charcoal filter to remove odours. The air then re-enters the kitchen via an opening in the hood.

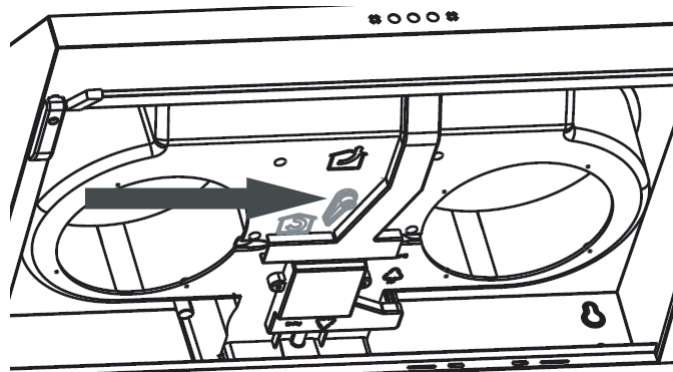
For optimum performance, we recommend that the cooker hood is used in ducted-out mode and connected to external ducting.

Do I need a charcoal filter?

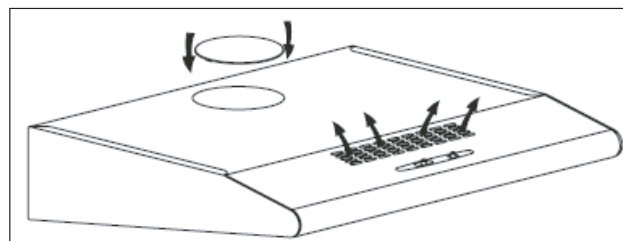
All cooker hoods have a grease filter(s) but if you are using your cooker hood in recirculation mode, then a charcoal filter must be fitted in addition to the grease filter(s).

Recirculation mode

- Remove the grease filters as described on page 7
- Move the mode lever, behind the grease filter to the position shown.

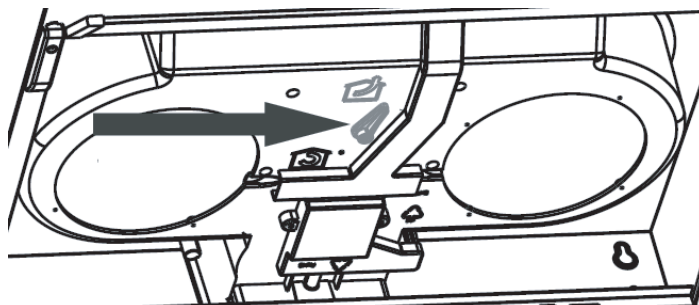


- In recirculation mode, ensure that the cover is fitted over the hole in the top of the cooker hood. This will force the air to exit through the vent at the front of the appliance



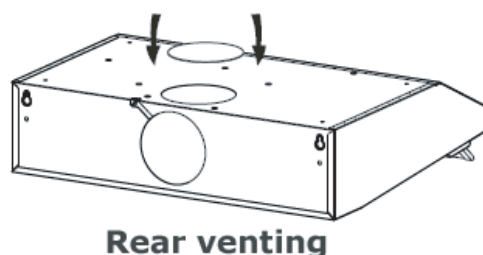
Connecting to external ducting (ducted-out mode)

IMPORTANT: To use the cooker hood in ducted-out mode, you must ensure that the adjuster which is behind the grease filter is set in the position shown.



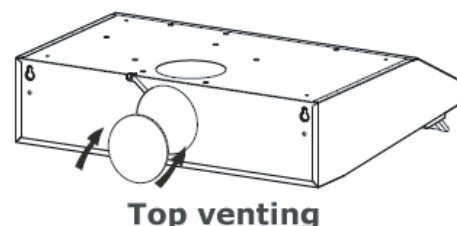
IMPORTANT: The cooker hood can be ducted from the rear or from the top. The following steps should be taken before fitting the appliance.

- If you want to connect the duct hose to the rear of the cooker hood, then you should place the cover over the venting hole on the top of the appliance.



Rear venting

- If you want to connect the duct hose to the top of the cooker hood, then you should place the cover over the venting hole on the rear of the appliance. Then fit the coupling to the venting hole on the top of the appliance.

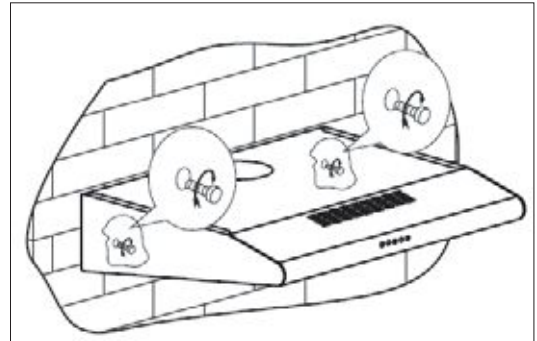


Top venting

- In a position that is suitable and will be accessible once the cooker hood is installed, cut out a circle measuring 130 mm in diameter. This discharge outlet should be suitable for cooking vapours. It should have a cross section of at least 150 cm².
- Connect a 125 mm ducting hose to the hole that you have just cut out (please note that the ducting hose is not supplied with the appliance).
- Connect the other end of the 125 mm ducting hose to the top or the rear of the cooker hood.
- The maximum distance between the cooker hood and your discharge outlet should be 3 metres, with one 90 degree bend. For each additional 90 degree bend, the maximum distance is reduced by a metre.

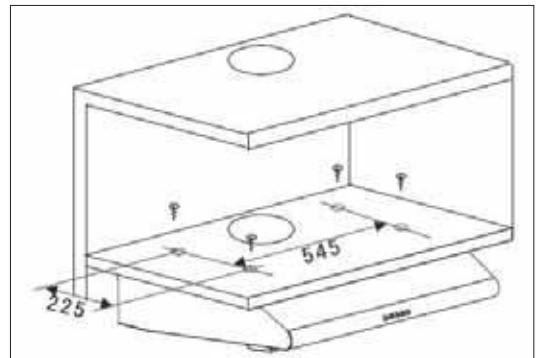
Installing your cooker hood (wall mounted)

- Remove the grease filters (see page 7).
- Hold the hood against the wall in the intended position and mark the position of the screw holes that are to be drilled.
- Using an 8mm diameter drill, drill holes in the wall in these positions.
- Insert rawl plugs into all of the holes that you have drilled.
- Screw in the upper set of screws leaving 10 mm protruding out of the wall.
- Hang the hood onto the upper screws and then fully tighten them.
- Screw the lower screws through the relevant holes in the cooker hood and fully tighten them.



Installing your cooker hood (into a cupboard)

- Remove the grease filters (see page 7).
- Position the hood against the underside of the cupboard that you are intending to install it into and mark the position of the fixing holes (as shown).
- Using a 6 mm diameter drill, make holes on the underside of the cupboard in the positions marked.
- Position the hood against the underneath of the cupboard again, making sure that the holes in the hood line up with the holes that you have just drilled.
- From inside of the cooker hood, tighten the screws through the holes in the underneath of the cupboard. **IMPORTANT:** *These screws must all be fully tightened.*



Completing the installation

- The appliance should now be connected to the electrical supply. See page 13.
- Refit the grease filters and then switch on the mains supply to the appliance. Check that the appliance is operating correctly by selecting each speed and switching the light bulbs on and off.

IMPORTANT: ENSURE THAT THE ELECTRICITY SUPPLY IS SWITCHED OFF BEFORE CONNECTING.

Your appliance must be connected to fixed wiring via the use of a double pole switched fused spur outlet with at least 3mm contact separation, with a pilot lamp.

The isolation switch must be accessible after installation.

(See technical data for fuse rating).

We strongly recommend the appliance is connected by a qualified electrician who is a member of the N.I.C.E.I.C. or Corgi who will comply with the I.E.E and any local regulations.

NOTE:

The terminology **-DOUBLE POLE+** means that both the live and neutral supplies are switched and disconnected at the same time.

The terminations labelled **SUPPLY** are for the connection for the internal house wiring and the terminations labelled **LOAD** are for the connection for the appliance.

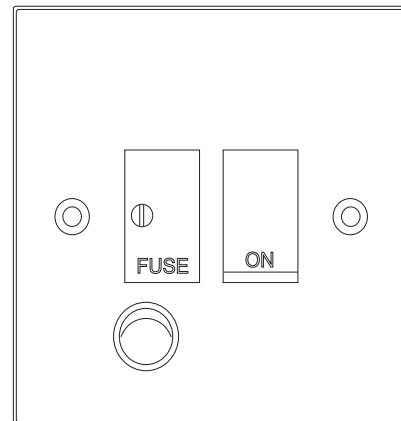
IMPORTANT

The wires in this mains lead are coloured in accordance with the following code:-

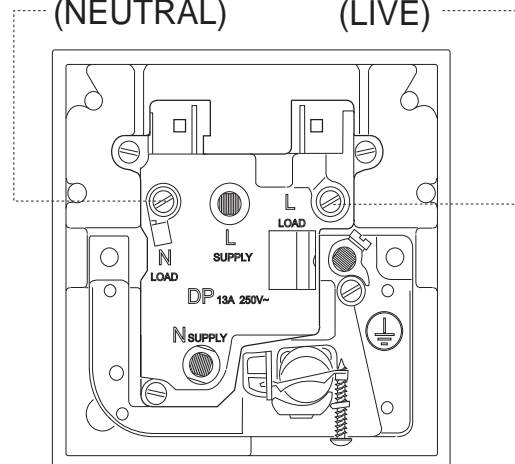
Blue **Neutral**
Brown..... **Live**

As the colours of the wires in the mains lead of this appliance may not correspond with the coloured markings identifying the terminals in your spur box, proceed as follows;

- The wire which is coloured blue must be connected to the terminal which is marked with the letter 'N' or coloured black.
- The wire which is coloured brown must be connected to the terminal which is marked with the letter 'L' or coloured red.



BLUE (NEUTRAL) **BROWN (LIVE)**



• ***Something Wrong with your Extractor ?***

14

IMPORTANT: If your cooker hood appears not to be operating correctly, please refer to the checklist below before contacting the Customer Service number.

My extractor will not start.

- Check that the extractor hood is connected to the electricity supply
- Check that the fan speed control is set correctly.

My extractor is not working effectively.

- The fan speed is not set high enough
- The grease filters are dirty and require cleaning.
- The kitchen does not have adequate ventilation.
- If the extractor is set up for recirculation mode, check that the carbon filters do not need replacing.
- If the extractor is set up for ducted-out mode, check that the ducting hose and discharge outlet are not blocked.

My extractor has switched off during operation.

- The safety cut-out device has been tripped.
- Turn off the hob and then wait for the safety cut-out device to reset.
- **IMPORTANT:** If you have installed your extractor too low, the safety cut-out device will frequently trip. Your extractor may become damaged if the safety cut-out device is tripped frequently.

IMPORTANT: If your appliance appears not to be operating correctly, then you should disconnect it from your mains supply and then contact Customer Care number on the rear page of this booklet

DO NOT ATTEMPT TO REPAIR THE APPLIANCE YOURSELF.

Please note that if an engineer is asked to attend whilst the product is under guarantee and finds that the problem is not the result of an appliance fault, then you may be liable for the cost of the call out charge.

Product Information

Commission Regulation (EU) No 66/2014

LAMONA

Model	HJA2182
AEC	95.1 kWh/a
f	1.8
FDE _{hood}	4.6
EEl _{hood}	104.9
Q _{BEP}	85.2 m ³ /h
P _{BEP}	158 Pa
Q _{max}	173.8 m ³ /h
W _{BEP}	81 W
W _L	56 W
E _{middle}	53 Lux
P _s	0
P _o	0
L _{WA}	63dB

YOUR GUARANTEE

Product Guarantee Details (UK only)

Your appliance has the benefit of a comprehensive manufacturer's guarantee which covers the cost of breakdown repairs. (Details of which are shown on your Proof of Purchase Document).

- Any claim during the period of the guarantee (MUST BE ACCOMPANIED BY THE PROOF OF PURCHASE)
- The product must be correctly installed and operated in accordance with the manufacturer's instructions and used for normal domestic purposes.
- This guarantee does not cover accidental damage, misuse or alterations which are likely to affect the product.
- The guarantee is invalid if the product is tampered with, or repaired by any unauthorised person.

(The guarantee in no way affects your statutory or legal rights)

What to do if you need to report a problem-

Please ensure you have ready:

- The product's model & serial numbers
- Howdens Proof of Purchase document
- Your full contact details.

Call the Lamona Service Line on 0845 00 60 006

This appliance is marked according to the European Directive 2002/96/EC on Waste Electrical and Electronic Equipment (WEEE). By ensuring this product is disposed of correctly you will help prevent potential negative consequences for the environment and human health. The symbol on this product indicates that this product may not be treated as household waste. Instead it should be handed over to the applicable collection point for recycling of electrical and electronic equipment. Disposal must be carried out in accordance with local environmental regulations for waste disposal. For more detailed information please contact your local council household waste site.